



Chipsmall Limited consists of a professional team with an average of over 10 year of expertise in the distribution of electronic components. Based in Hongkong, we have already established firm and mutual-benefit business relationships with customers from,Europe,America and south Asia,supplying obsolete and hard-to-find components to meet their specific needs.

With the principle of “Quality Parts,Customers Priority,Honest Operation,and Considerate Service”,our business mainly focus on the distribution of electronic components. Line cards we deal with include Microchip,ALPS,ROHM,Xilinx,Pulse,ON,Everlight and Freescale. Main products comprise IC,Modules,Potentiometer,IC Socket,Relay,Connector.Our parts cover such applications as commercial,industrial, and automotives areas.

We are looking forward to setting up business relationship with you and hope to provide you with the best service and solution. Let us make a better world for our industry!



Contact us

Tel: +86-755-8981 8866 Fax: +86-755-8427 6832

Email & Skype: info@chipsmall.com Web: www.chipsmall.com

Address: A1208, Overseas Decoration Building, #122 Zhenhua RD., Futian, Shenzhen, China



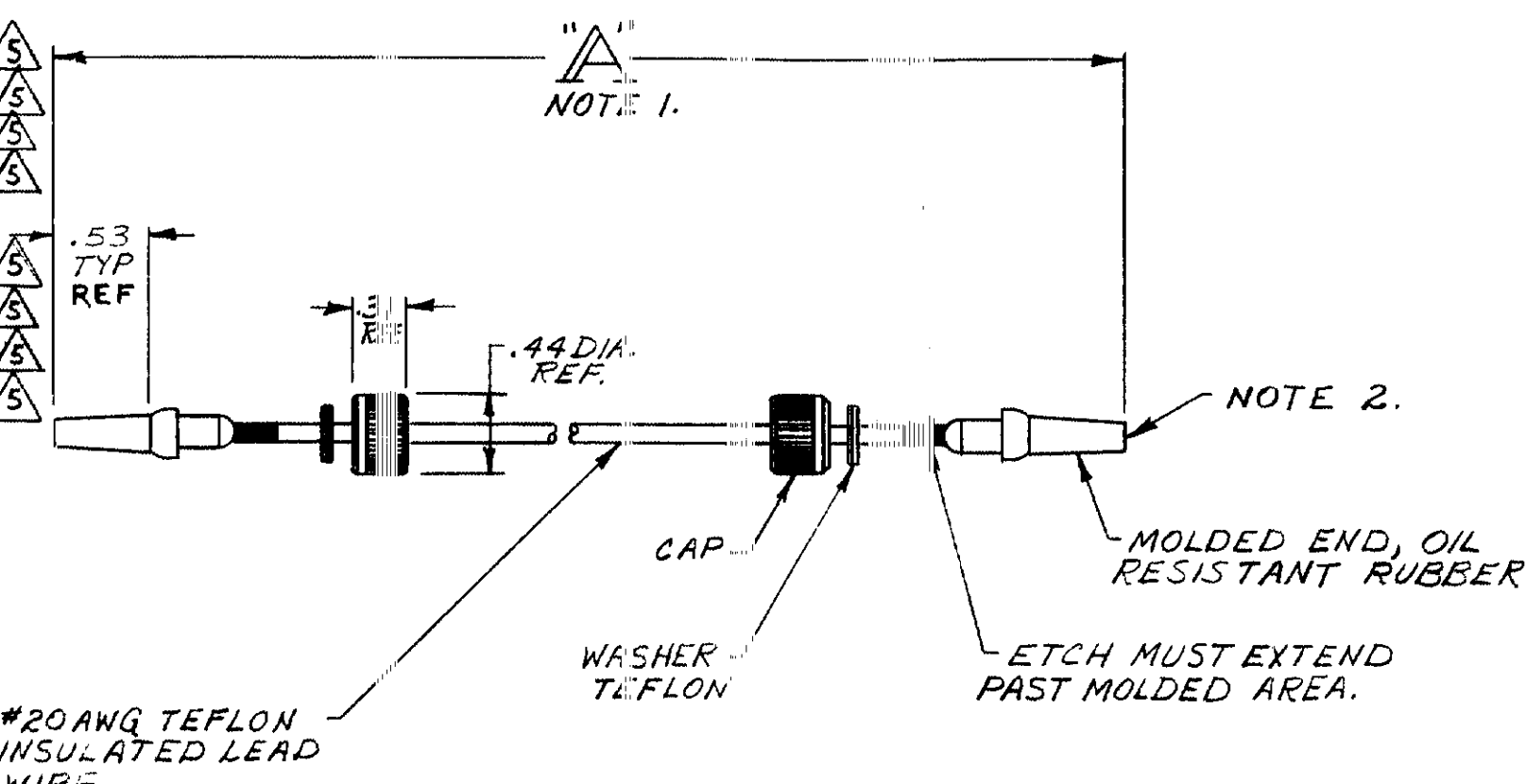
DRAWING MADE IN AMERICAN PROJECTION

© 1971 BY AMP INCORPORATED. ALL RIGHTS RESERVED. AMP PRODUCTS COVERED BY PATENTS AND/OR PATENTS PENDING.

THIS PRODUCT DESIGNED AND BUILT BY AMP INCORPORATED. NO LICENSE TO USE THAT DESIGN IN MANUFACTURE, OR TO USE ANY ISSUED OR PENDING PATENTS WHICH ARE INVOLVED, IS IMPLIED.

REVISIONS				
ZONE	LTR	DESCRIPTION	DATE	APPROVED
-	-	WAS SK-33099	1/19/71	<i>NY</i>
	A	ECN L1355.	RPH 4-26-85	<i>m.s.</i>
✓	B	OBS -1, 4, 6, 7, 9, 10 ECN 53630	2-2-87	<i>IM</i>
	C	OBSOLETE -3, 5, -8, 11 ECN L1559	5-27-87	<i>RS</i>

PART NO.	"A"
859355-1	12.00
859355-2	6.00
859355-3	8.00
859355-4	16.00
859355-5	15.00
859355-6	7.00
859355-7	9.00
859355-8	10.00
859355-9	11.00
1-859355-0	13.00
1-859355-1	14.00



- NOTE:
1. TOLERANCE : UP TO 24" - ± .12
24" & UP - ± 1%
 2. TO MATE WITH AMP LGH -1/2 RECEPTACLE WITH .53 BARREL DEPTH
 3. MARKED PER MIL-STD-130.
 4. COLOR OF LEAD WIRE WHITE.
- Ⓜ OBSOLETE PART NO.

QTY REQD	QTY REQD	ITEM NO.	DWG SIZE	PART OR IDENTIFYING NO.	NOMENCLATURE OR DESCRIPTION	SYMBOL
-2	-1					
PARTS LIST						
UNLESS OTHERWISE SPECIFIED: DIMENSIONS ARE IN INCHES TOLERANCES .00 ± .04 ANGLES .000 ± .015				CONTRACT NO. DR. <i>1-19-71</i>	 AMP INCORPORATED CAPITRON DIVISION ELIZABETHTOWN, PENNSYLVANIA	
MATERIAL:				CHK APPD. <i>M. Anderson 11/9/71</i>		
FINISH:				DSGN APPD	NAME SPECIAL LGH-1/2 DOUBLE MOLDED ENDS LEAD ASS'Y	
OTHER APPD				SIZE B	CODE IDENT NO. 89110	NUMBER 859355
NEXT ASSY				SCALE N.T.S.	WT	SHEET 1 OF 1
QTY REQD				APPLICATION		

PRINT DIST 2137