



Chipsmall Limited consists of a professional team with an average of over 10 year of expertise in the distribution of electronic components. Based in Hongkong, we have already established firm and mutual-benefit business relationships with customers from,Europe,America and south Asia,supplying obsolete and hard-to-find components to meet their specific needs.

With the principle of “Quality Parts,Customers Priority,Honest Operation,and Considerate Service”,our business mainly focus on the distribution of electronic components. Line cards we deal with include Microchip,ALPS,ROHM,Xilinx,Pulse,ON,Everlight and Freescale. Main products comprise IC,Modules,Potentiometer,IC Socket,Relay,Connector.Our parts cover such applications as commercial,industrial, and automotives areas.

We are looking forward to setting up business relationship with you and hope to provide you with the best service and solution. Let us make a better world for our industry!



Contact us

Tel: +86-755-8981 8866 Fax: +86-755-8427 6832

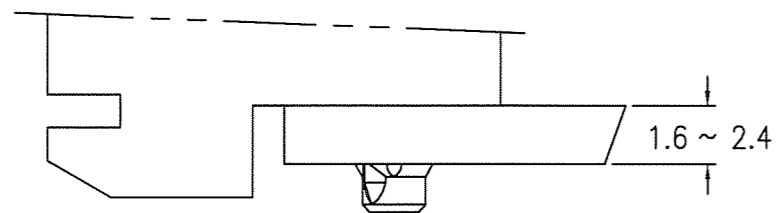
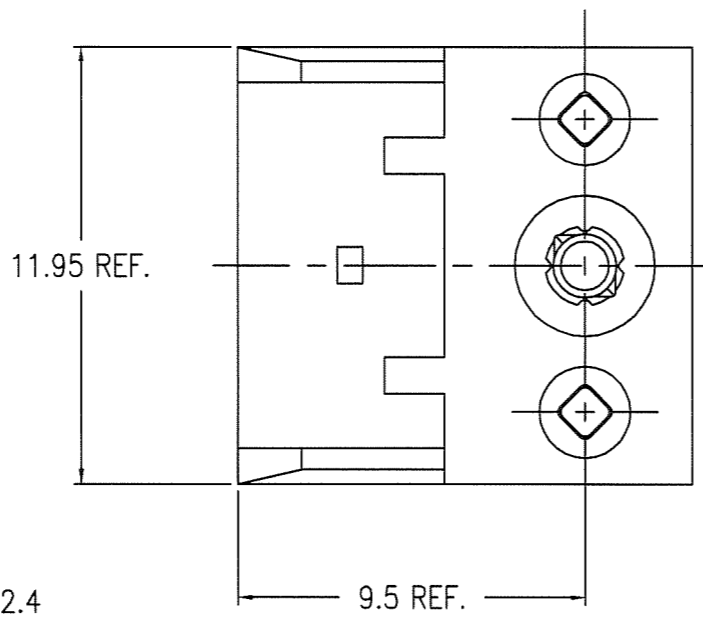
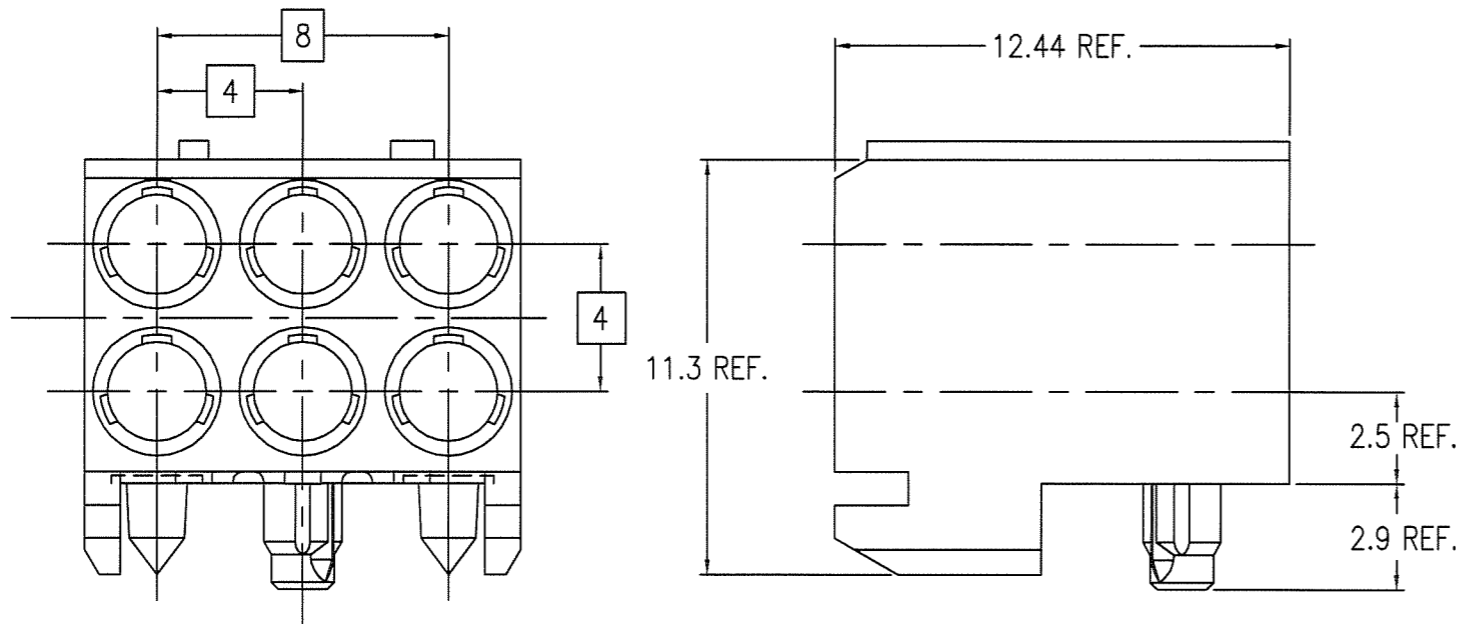
Email & Skype: info@chipsmall.com Web: www.chipsmall.com

Address: A1208, Overseas Decoration Building, #122 Zhenhua RD., Futian, Shenzhen, China

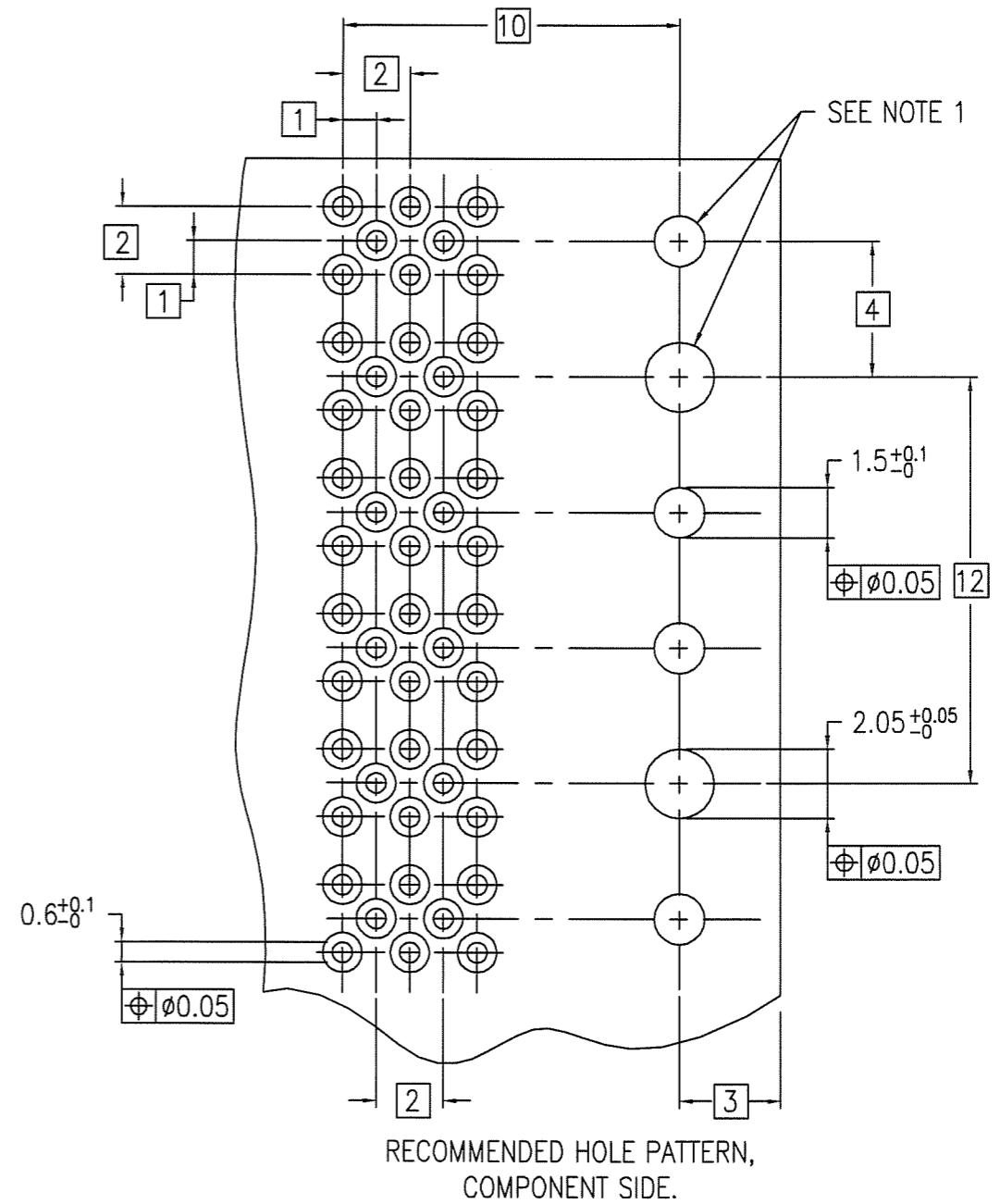


PRODUCT NO.

85939-102



PRODUCT AFTER PC BOARD APPLICATION

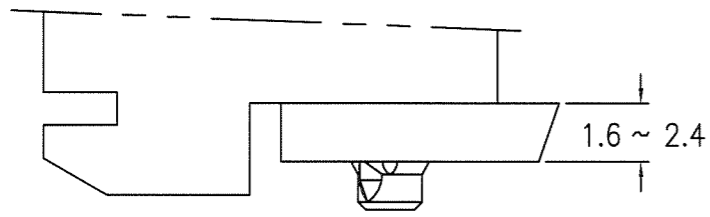
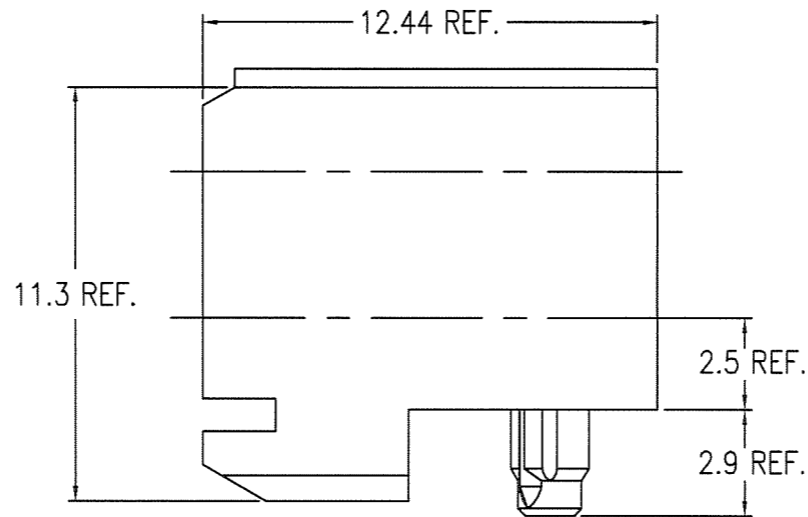
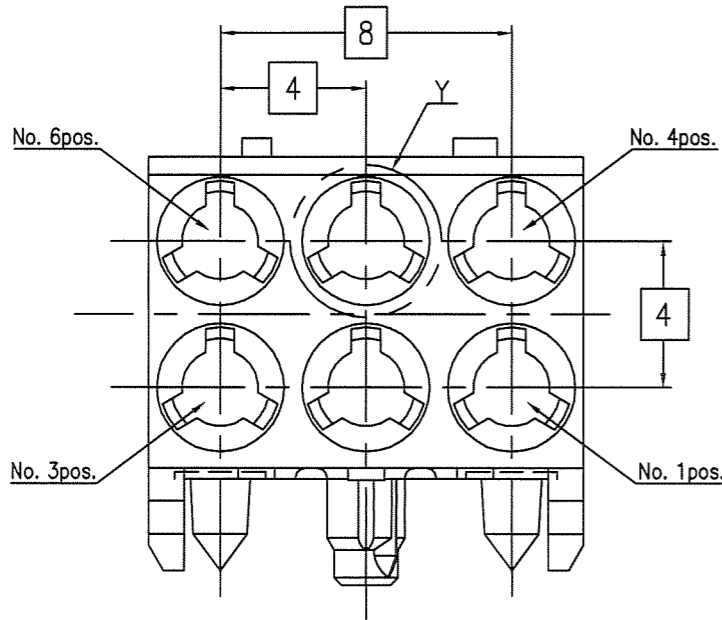
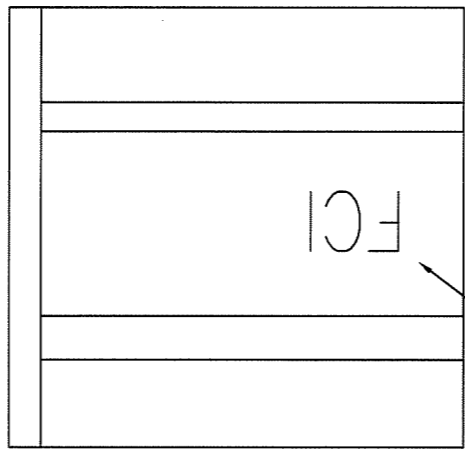
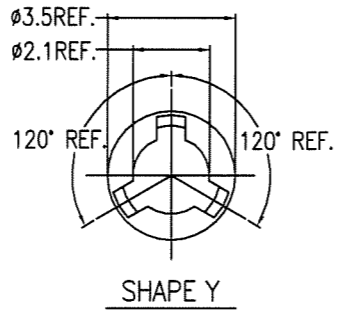


RECOMMENDED HOLE PATTERN, COMPONENT SIDE.

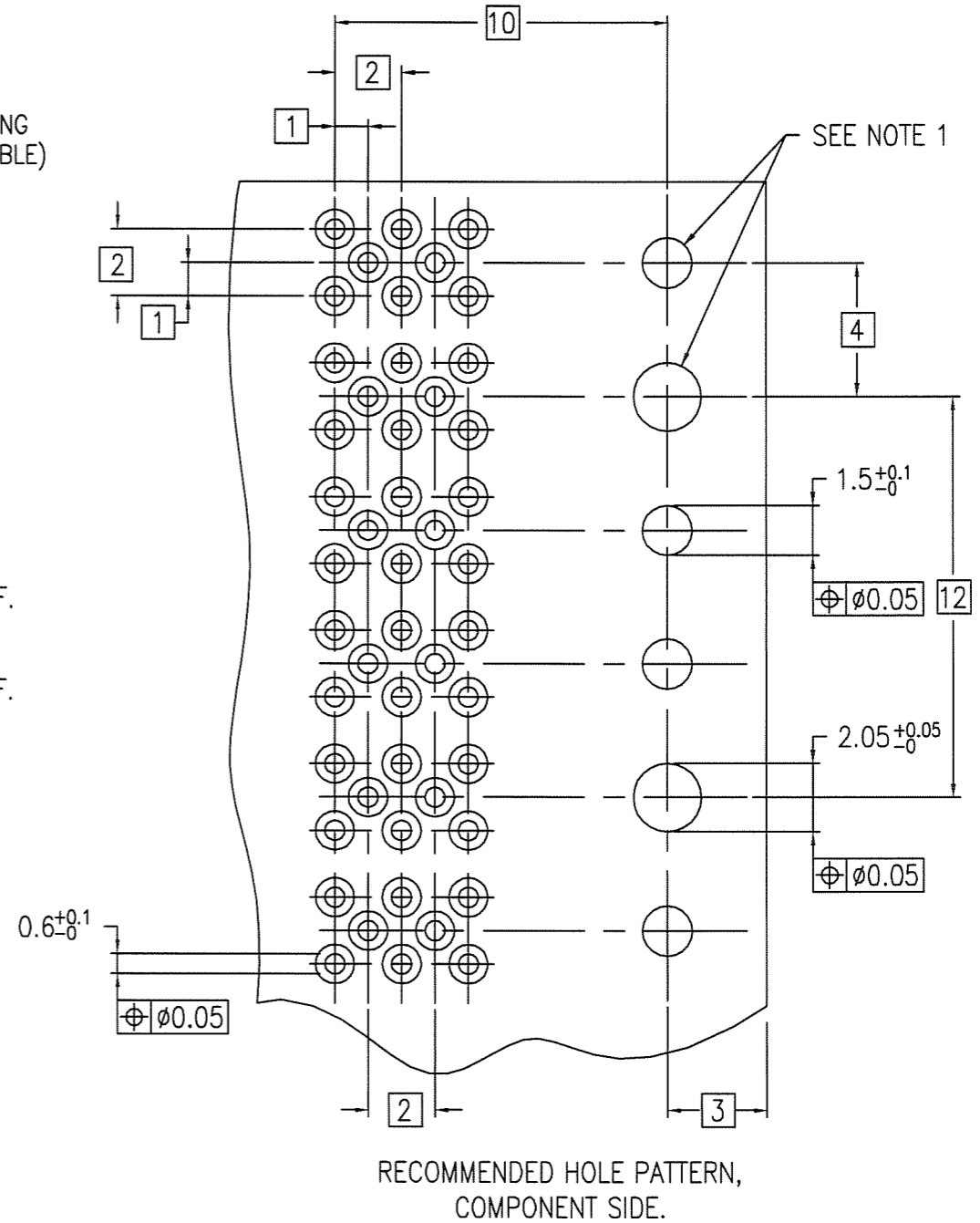
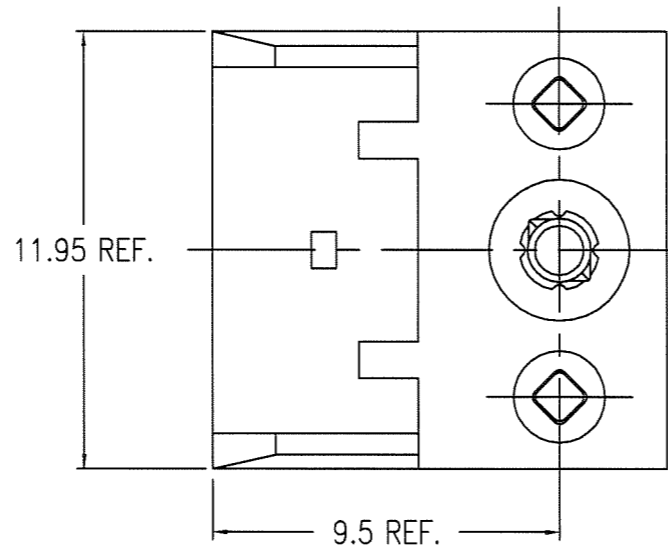
- NOTE :
1. INDICATED HOLES ARE UNPLATED.
 2. MATERIAL :
LIQUID CRYSTAL POLYMER 30% GLASS
UL 94V-0 , COLOR NATURAL

mat'l. code				surface		tolerance		projection		product family		CODE	
---				ISO 1302		ISO 406		MM		METRAL		JP	
						ISO 1101		MM		title			
				tolerances unless otherwise specified		0.X ±0.15		MM		R/A FEMALE			
				angles		0.XX ±0.15		MM		MINI COAX PRESS PEG			
				0°±2'		0.XXX ±0.15		scale 5:1		dwg no		sheet 1 of 2 size	
A RELEASED J70165 M.N 6/23/'97				dr		M.NAGASE 6/23/'97		FCJ		85939		A3	
B REVISED J80420 Y.K 10/15/'98				enr		S.OKUDAIRA 1/17/'07				Customer Drawing		Rev.	
C REVISED J80425 Y.K 10/21/'98				chr		R. Shoji 1/18/'07						F	
D REVISED J90322 Y.K 1/17/'00				appd		S. Okudaira 1/17/'07							
E REVISED J10491 Y.K 9/18/'01													
F REVISED J07-0030 S.O 1/18/'07													
sheet index		revision sheet		F 1		D 2							

PRODUCT NO.	FCI MARKING
85939-122	WITHOUT
85939-1221	WITH



PRODUCT AFTER PC BOARD APPLICATION



RECOMMENDED HOLE PATTERN, COMPONENT SIDE.

NOTE :
 1. INDICATED HOLES ARE UNPLATED.
 2. MATERIAL :
 LIQUID CRYSTAL POLYMER 30% GLASS
 UL 94V-0 , COLOR NATURAL

mat'l. code				surface ISO 1302		tolerance ISO 406 ISO 1101		projection		product family METRAL		CODE JP
---				✓				MM		title		
ltr description ecn no dr date				tolerances unless otherwise specified						R/A FEMALE MINI COAX PRESS PEG		
A	RELEASED	J80425	Y.K	10/21/'98	angles	linear	0.X ±0.15			sheet 2 of		size
B	REVISED	J90322	Y.K	1/17/'00	0°±3'		0.XX ±0.15	scale 5:1		85939		A3
C	REVISED	J10491	Y.K	9/18/'01	dr	Y.KODAIRA	10/21/'98	FCI		dwg no		
D	REVISED	J07-0030	S.O	1/18/'07	enr	S.OKUDAIRA	1/18/'07			Customer Drawing		Rev.
				chr		R. Shaji	1/18/'07					D
				appd		S. Okudaira	1/18/'07					
sheet index	revision sheet											