



Chipsmall Limited consists of a professional team with an average of over 10 year of expertise in the distribution of electronic components. Based in Hongkong, we have already established firm and mutual-benefit business relationships with customers from,Europe,America and south Asia,supplying obsolete and hard-to-find components to meet their specific needs.

With the principle of “Quality Parts,Customers Priority,Honest Operation,and Considerate Service”,our business mainly focus on the distribution of electronic components. Line cards we deal with include Microchip,ALPS,ROHM,Xilinx,Pulse,ON,Everlight and Freescale. Main products comprise IC,Modules,Potentiometer,IC Socket,Relay,Connector.Our parts cover such applications as commercial,industrial, and automotives areas.

We are looking forward to setting up business relationship with you and hope to provide you with the best service and solution. Let us make a better world for our industry!



Contact us

Tel: +86-755-8981 8866 Fax: +86-755-8427 6832

Email & Skype: info@chipsmall.com Web: www.chipsmall.com

Address: A1208, Overseas Decoration Building, #122 Zhenhua RD., Futian, Shenzhen, China



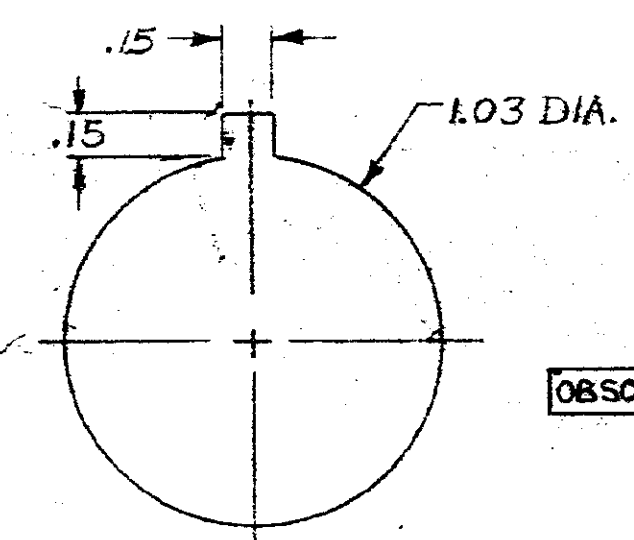
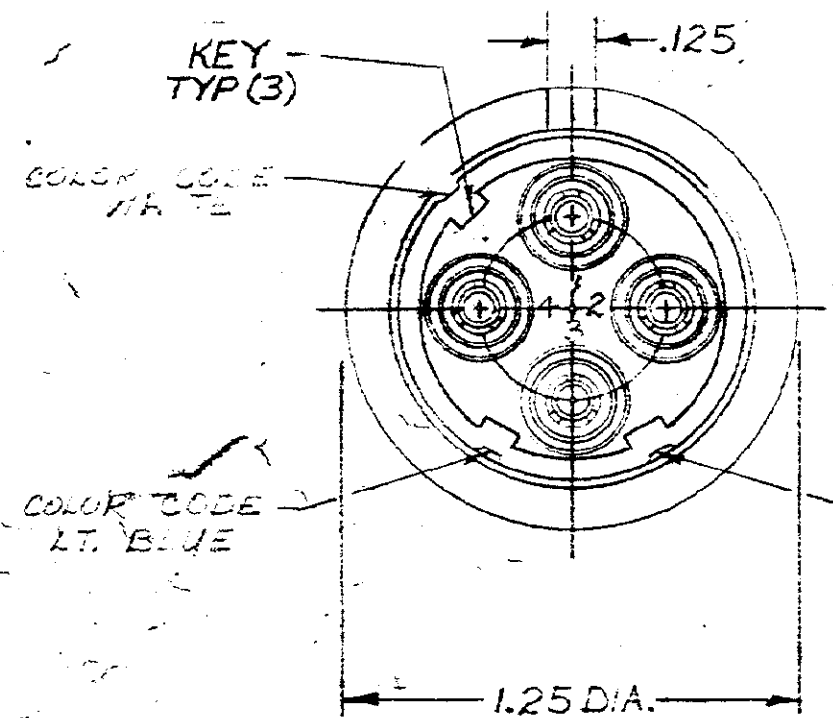
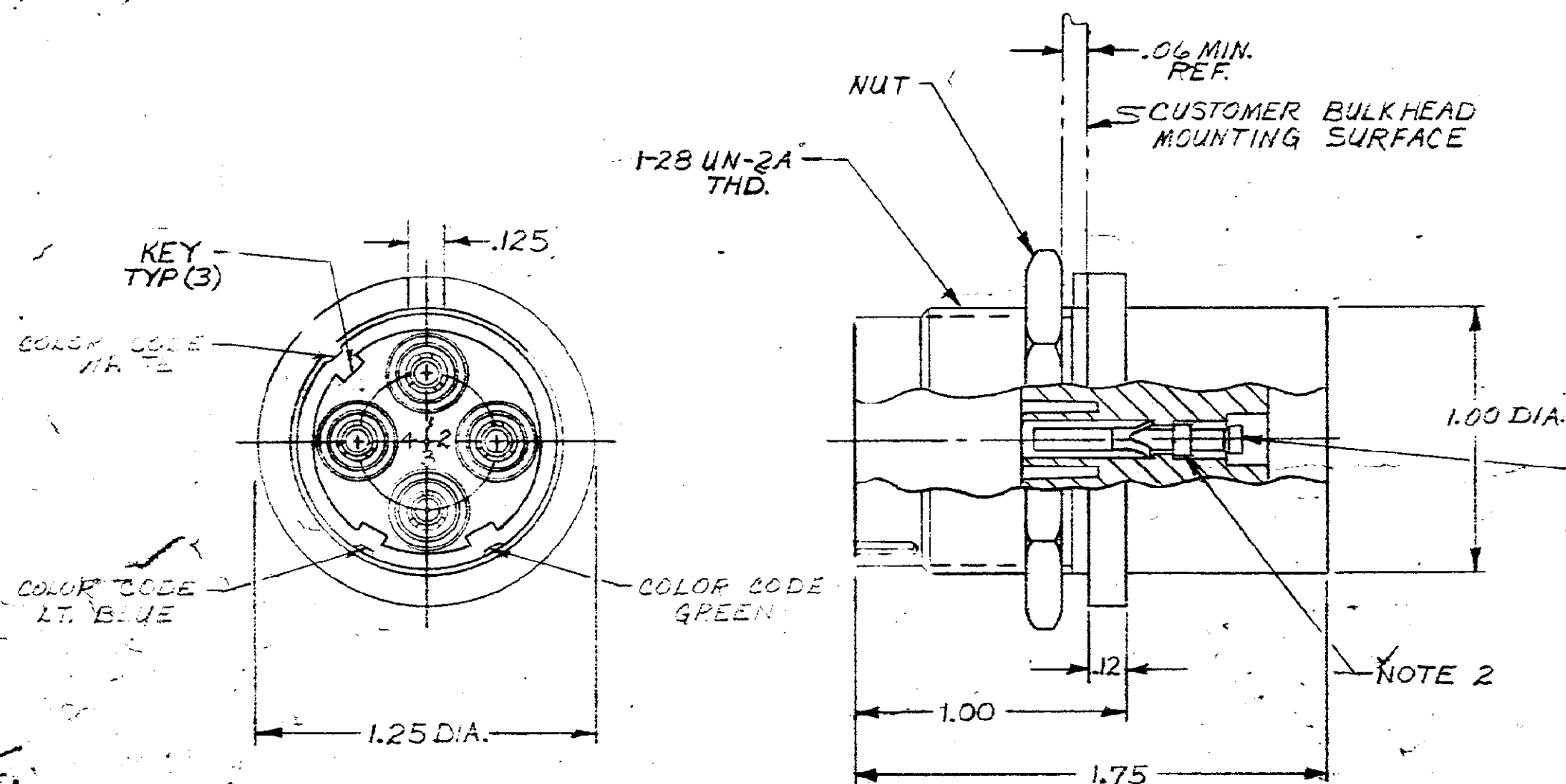
DRAWING MADE IN AMERICAN PROJECTION

© 1971 BY AMP INCORPORATED. ALL RIGHTS RESERVED. AMP PRODUCTS COVERED BY PATENTS AND/OR PATENTS PENDING.

Unpublished copy not to be reproduced or published without written permission of AMP Incorporated.

THIS PRODUCT DESIGNED AND BUILT BY AMP INCORPORATED. BY LICENSE TO USE THIS DESIGN IN CONSTRUCTION, AS TO THE USE OF OTHER OR FOREIGN PATENTS, THE USER IS ADVISED.

REVISIONS				
ZONE	LTR	DESCRIPTION	DATE	APPROVED
	E	REV. & REDRAWN WAS "B" SIZE	7-24-71	MJS
	F	REV. NOTE 2 & POTTING MATERIAL	8-24-71	MJS
	G	ADDED COLOR CODE/DELETED PORTION OF THD.	5-17-72	
	H	REV. NOTE 3 ADDED 2		MJS
	J	ADDED 3	2-26-76	MJS
	K	ADDED -4, -5, -6	6-30-77	MJS
	L	REV. PER E.C.N. 81667	2-26-78	MJS
	M	ADDED -7	10-0-79	JG
	N	OBSOLETE -3	ECN 63615	11-5-86 R8



CUSTOMER TO ATTACH LEADS & PROTECT AGAINST APC-OVER & BREAKDOWN BY POTTING. SOCKETS TO BE COATED WITH RTV 22 AND FILLED IN CAVITIES, AFTER CURING FILL BACK END OF RECEPTACLE WITH RTV 21

- NOTE:
1. CAVITY TO ACCEPT AMP SOCKETS, TYPE II 516GA. RECEPTACLE IS LOADED WITH SOCKETS. WHEN SHIPPED TO REMOVE SOCKETS, USE AMP EXTRACTION TOOL.
 2. TYPE II SOCKETS WILL ACCEPT (1) 22 AWG STRANDED WIRE, GOLD PLATED PER MIL-G-45204 TYPE I (NOT 50 MIL THICKNESS).
 3. RECEPTACLE WILL WITH STAND WITHOUT BREAKDOWN 27 KV DC PIN TO PIN & 27 KV DC PIN TO GRD. WHEN MATED WITH 859526, 859537 OR 859530.
 4. MARKING TO BE WHITE
 5. TYPE II SOCKETS WILL ACCEPT (1) 18 AWG OR (1) 18 AWG STRANDED WIRE.
 6. TYPE II SOCKETS TO ACCEPT ONE (1) 14 AWG STRANDED WIRE.
 7. SAME AS 859526-2, EXCEPT LESS SOCKETS.

AMP. P. N.	WIRE SIZE RANGE	HAND. TOOL	COLOR CODING
859526-1	20, 22, 24	45099	YES
859526-2	16, 18	45098	YES
OBSOLETE 859526-3	14	45098	YES
859526-4	20, 22, 24	45099	NO
859526-5	16, 18	45098	NO
859526-6	14	45099	NO
859526-7			YES

ITEM NO.	DWG NO.	PART OR IDENTIFYING NO.	NOMENCLATURE OR DESCRIPTION	SYMBOL
			4 CAVITY FLANGED RECEPTACLE H.V.	LGH
PARTS LIST				
CONTRACT NO.			AMP INCORPORATED	
OR L. GEIB - 71			CAPITRON DIVISION	
CHK			ELIZABETHTOWN, PENNSYLVANIA	
APPRO M. GARDNER 2-15-71			NAME	
APPRO			4 CAVITY FLANGED RECEPTACLE H.V.	
DSGN APPD			SIZE	CODE IDENT NO.
OTHER APPD			C	00773
NEXT ASSY			NUMBER	859526
QTY REQD			SCALE	SHEET 1 OF 1
APPLICATION				

UNLESS OTHERWISE SPECIFIED: DIMENSIONS ARE IN INCHES TOLERANCES: .00 ± .02 ANGLES = .000 ± .015 MATERIAL: MOLDED PLASTIC FINISH: BLACK