



Chipsmall Limited consists of a professional team with an average of over 10 year of expertise in the distribution of electronic components. Based in Hongkong, we have already established firm and mutual-benefit business relationships with customers from,Europe,America and south Asia,supplying obsolete and hard-to-find components to meet their specific needs.

With the principle of “Quality Parts,Customers Priority,Honest Operation,and Considerate Service”,our business mainly focus on the distribution of electronic components. Line cards we deal with include Microchip,ALPS,ROHM,Xilinx,Pulse,ON,Everlight and Freescale. Main products comprise IC,Modules,Potentiometer,IC Socket,Relay,Connector.Our parts cover such applications as commercial,industrial, and automotives areas.

We are looking forward to setting up business relationship with you and hope to provide you with the best service and solution. Let us make a better world for our industry!



Contact us

Tel: +86-755-8981 8866 Fax: +86-755-8427 6832

Email & Skype: info@chipsmall.com Web: www.chipsmall.com

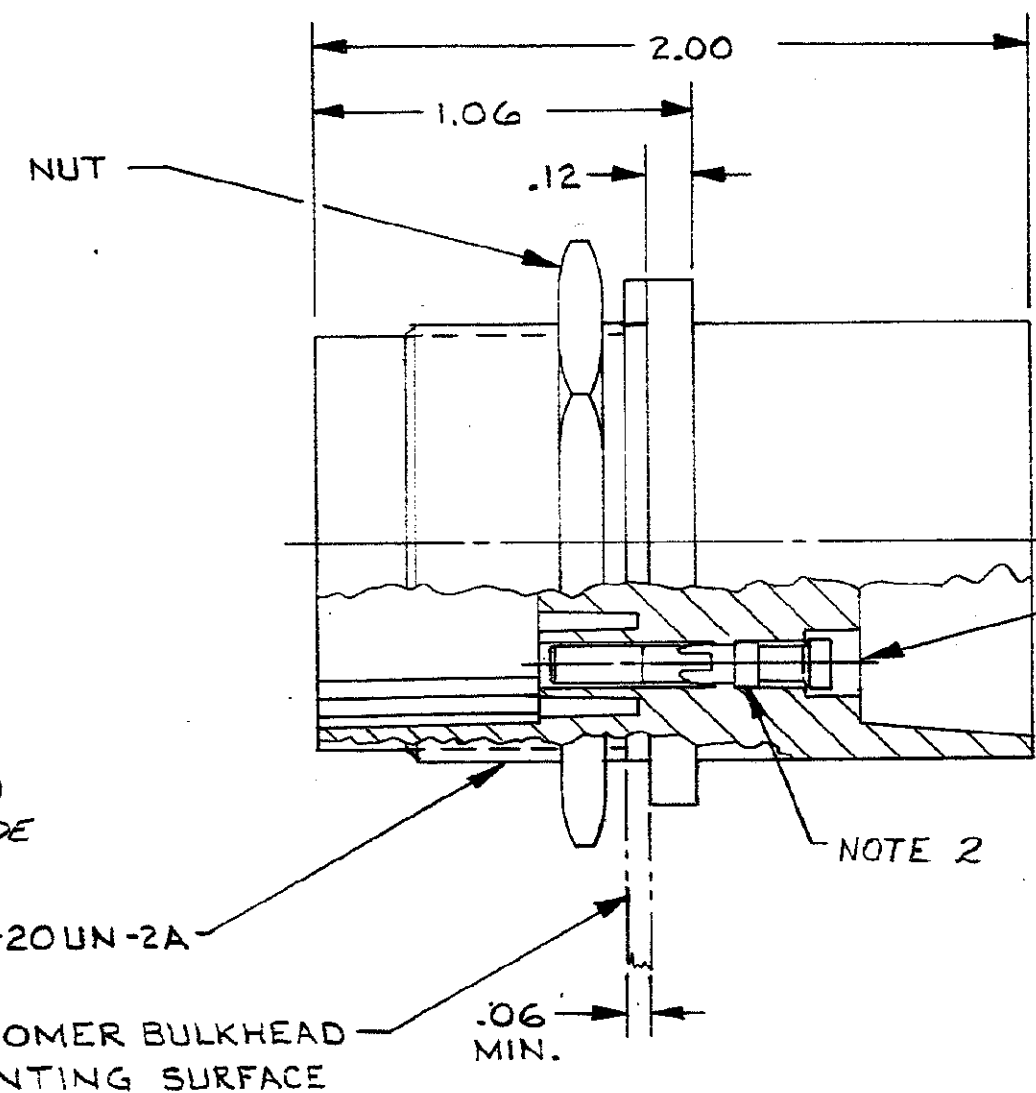
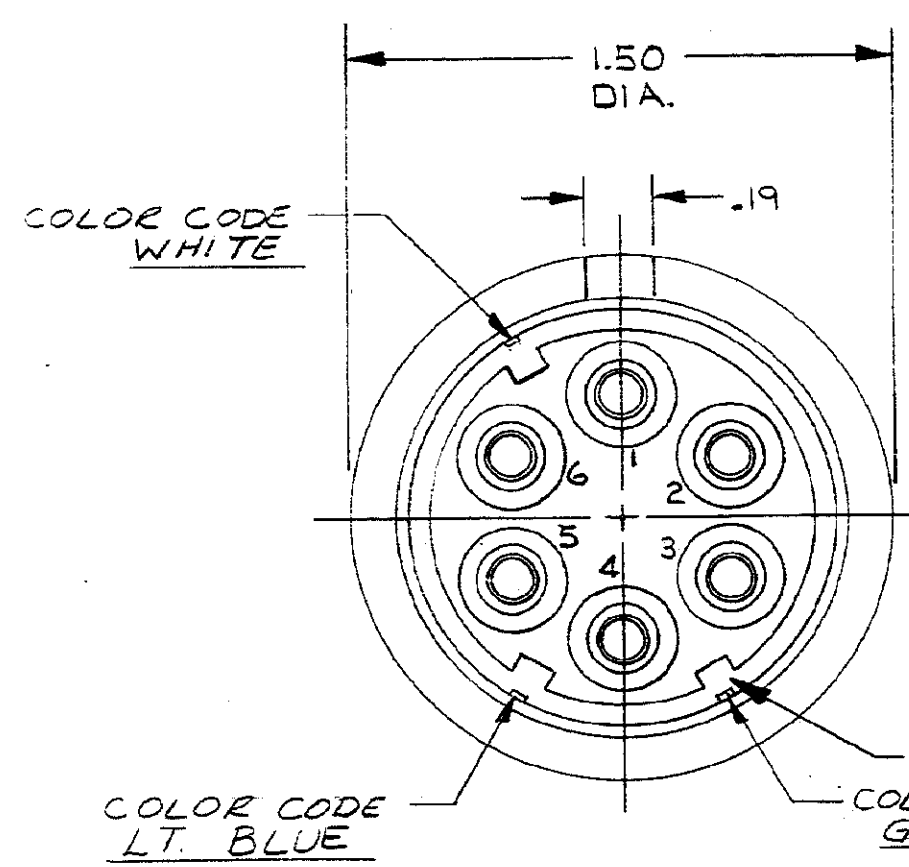
Address: A1208, Overseas Decoration Building, #122 Zhenhua RD., Futian, Shenzhen, China



DRAWING MADE IN AMERICAN PROJECTION

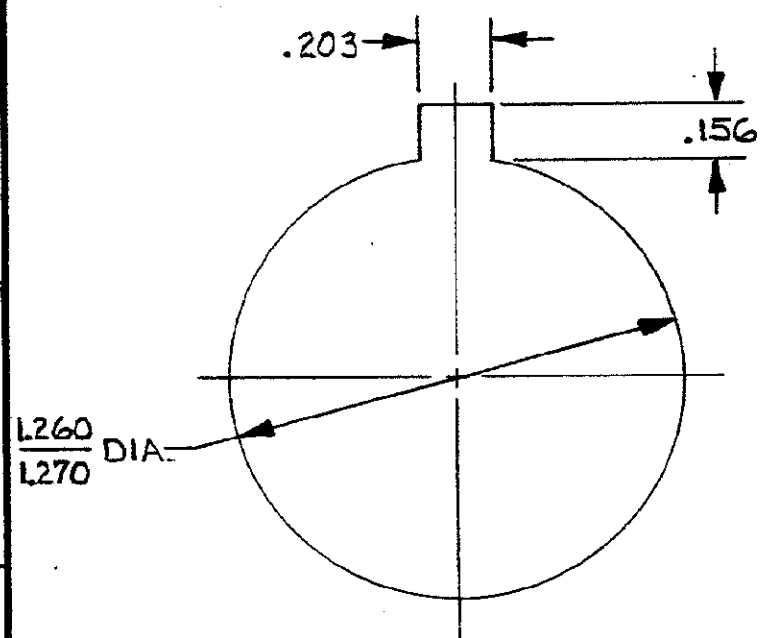
©1971 BY AMP INCORPORATED. ALL RIGHTS RESERVED. AMP PRODUCTS COVERED BY PATENTS AND/OR PATENTS PENDING.

REVISIONS				
ZONE	LTR	DESCRIPTION	DATE	APPROVED
E		REDRAWN WITH REVISIONS	ISEC 7-24-71	M.B.
F		REV. NOTE 2 & POTTING MATERIAL	8-24-71	M.B.
G		REV. NOTE 1 & POTTING MATERIAL	12-17-71	M.B.
H		ADDED COLOR CODES & DELETED PORTION OF T.D'S.	4-27-72	M.B.
J		REV. NOTES 1 & 2 ADDED NOTE 5 ADDED -2	1-8-74	M.B.
K		ADDED -3	2-27-76	M.B.
L		ADDED -4, -5, -6	6-30-77	M.B.
M		REV. PER E.C.N. 8611	1-31-79	M.B.
M		ADDED -7 ECN 9738	10-28-83	M.B.
N		OBSOLETE -7	ECN S3615	R.R.
P		OBS-3 ECN OF 0376	2-8-84	T.W.



CUSTOMER TO ATTACH LEADS & PROTECT AGAINST ARC-OVER & BREAKDOWN BY POTTING. SOCKETS TO BE COATED WITH RTV 108 AND INSERTED IN CAVITIES, AFTER CURING FILL BACK END OF RECEPTACLE WITH HYSOL 4210 (REF. AMP * 1-859234-7)

- NOTES:
1. CAVITY TO ACCEPT AMP SOCKETS, TYPE II, #16 GA. RECEPTACLE AND SOCKETS TO BE SHIPPED SEPARATELY. TO REMOVE SOCKETS USE AMP EXTRACTION TOOL #861751-1
 2. TYPE II SOCKETS TO ACCEPT ONE (1) #22 #20, OR #24 AWG STRANDED WIRE. GOLD PLATED PER MIL-G-45204 TYPE II .00050 MIN. THICKNESS.
 3. RECEPTACLE WILL WITHSTAND WITHOUT BREAKDOWN, 27KVDC PIN TO PIN & 27KVDC PIN TO GRD. WHEN MATED WITH 859536-1, 859534-1, & 860267-1
 4. MARKING TO BE WHITE
 5. TYPE II SOCKETS TO EXCEPT ONLY ONE (1) 16 AWG OR (1) 18 AWG STRANDED WIRE
 6. TYPE II SOCKETS TO ACCEPT ONE (1) 14 AWG STRANDED WIRE.



* UNMARKED

AMP P/N	WIRE SIZE RANGE	HAND TOOL	COLOR CODING
859527-1	20, 22, 24	45099	YES
859527-2	16, 18	45098	YES
085 859527-3	14	45098	YES
859527-4	20, 22, 24	45099	NO
859527-5	16, 18	45098	NO
859527-6	14	45098	NO
OBSOLETE 859527-7 *	16, 18	45098	NO

QTY REQ	QTY REQ	ITEM NO.	DWG SIZE	PART OR IDENTIFYING NO.	NOMENCLATURE OR DESCRIPTION	SYMBOL
-2	-1					

UNLESS OTHERWISE SPECIFIED: DIMENSIONS ARE IN INCHES TOLERANCES .00 ± .04 ANGLES = .000 ± .015		CONTRACT NO.	
MATERIAL: MOLDED PLASTIC		DR M. GARDNER 2/11/72	
FINISH: BLACK		CHK	
NEXT ASSY		APPD M. GARDNER 2/11/71	
FINAL ASSY		APPD	
NEXT ASSY		DSGN APPD	
USED ON		OTHER APPD	
QTY REQ		APPLICATION	

AMP INCORPORATED CAPITRON DIVISION ELIZABETHTOWN, PENNSYLVANIA		
NAME: RECEPTACLE, FLANGED, H.V. 6 CONTACT LGH		
SIZE: C	CODE IDENT NO.: 00779	NUMBER: 859527
SCALE: 1/1	WT:	SHEET: 1/1