



Chipsmall Limited consists of a professional team with an average of over 10 year of expertise in the distribution of electronic components. Based in Hongkong, we have already established firm and mutual-benefit business relationships with customers from,Europe,America and south Asia,supplying obsolete and hard-to-find components to meet their specific needs.

With the principle of “Quality Parts,Customers Priority,Honest Operation,and Considerate Service”,our business mainly focus on the distribution of electronic components. Line cards we deal with include Microchip,ALPS,ROHM,Xilinx,Pulse,ON,Everlight and Freescale. Main products comprise IC,Modules,Potentiometer,IC Socket,Relay,Connector.Our parts cover such applications as commercial,industrial, and automotives areas.

We are looking forward to setting up business relationship with you and hope to provide you with the best service and solution. Let us make a better world for our industry!



Contact us

Tel: +86-755-8981 8866 Fax: +86-755-8427 6832

Email & Skype: info@chipsmall.com Web: www.chipsmall.com

Address: A1208, Overseas Decoration Building, #122 Zhenhua RD., Futian, Shenzhen, China

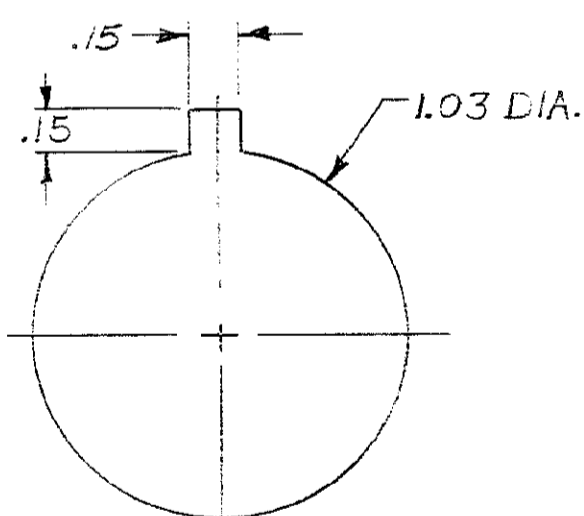
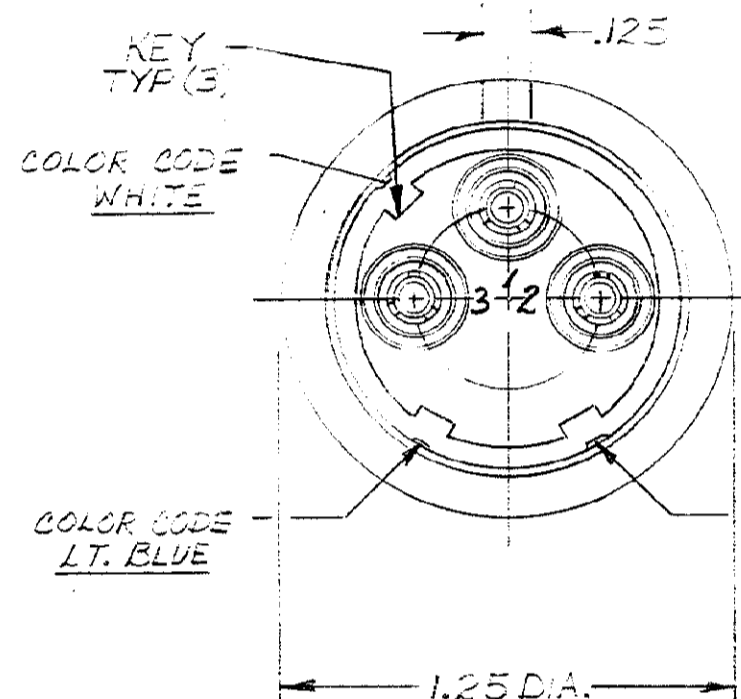
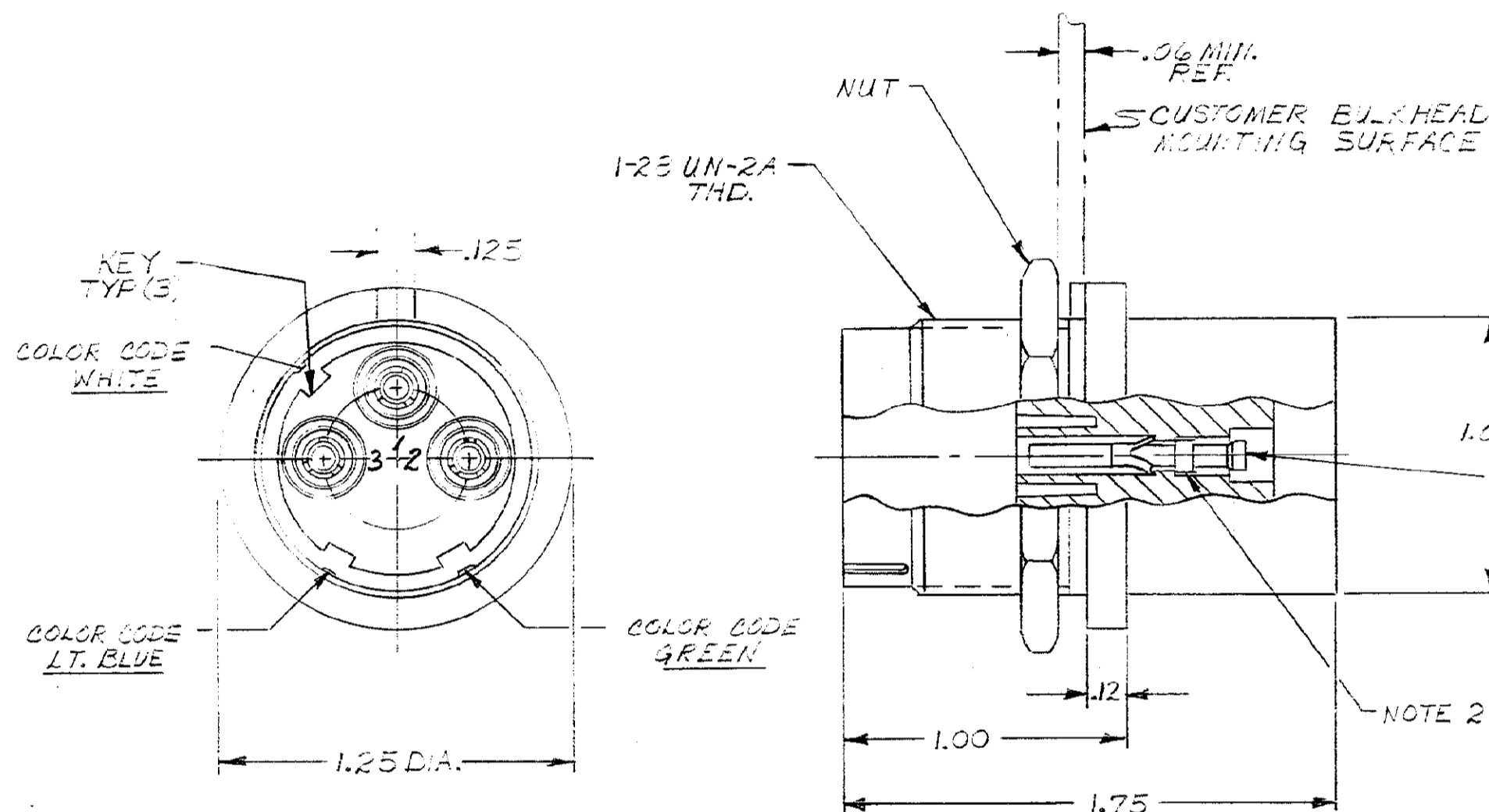


DRAWING MADE IN AMERICAN PROJECTION

© 1977 BY AMP INCORPORATED. ALL RIGHTS RESERVED. AMP PRODUCTS COVERED BY PATENTS AND/OR PATENTS PENDING.

THIS PRODUCT DESIGNED AND BUILT BY AMP INCORPORATED. NO LICENSE TO USE THIS DESIGN OR MANUFACTURE, OR TO USE ANY ISSUED OR PENDING PATENTS WHICH ARE INVOLVED, IS IMPLIED.

REVISIONS				
ZONE	LTR	DESCRIPTION	DATE	APPROVED
E		REV. & REDRAWN WAS 'B' SIZE	7-24-71	M.B.
F		REV. NOTE 2 ADDED POTTING MAT.	8-24-71	M.B.
G		ADDED COLOR CODE & DELETED PORTION OF TRD. 22	5-17-72	M.B.
H		REV. NOTE 1 ADDED -2	1-25-72	M.B.
J		ADDED -3	2-26-76	M.B.
K		ADDED -4, -5, -6	6-29-77	M.B.
L		REVISED NOTE 1	1-17-77	M.B.
M		LGH WAS EGH, ECN 8602,	1-29-79	M.B.
N		OBSOLETE - 3 ECN S 3615	11-5-86	R.R.



AMP P/N	WIRE SIZE RANGE	HAND TOOL	COLOR CODING
859528-1	20,22,24	45099	YES
859528-2	16,18	45099	YES
OBSOLETE 859528-3	14	45098	YES
859528-4	20,22,24	45099	NO
859528-5	16,18	45098	NO
859528-6	14	45098	NO

- NOTE:
1. CAVITY TO ACCEPT AMP SOCKETS, TYPE II 16 GA.
 2. TO REMOVE SOCKETS, USE AMP EXTRACTION TOOL*861751-1
 3. TYPE II SOCKETS WILL ACCEPT (1) 22 AWG, (1) 20 AWG OR (1) 24 AWG STRANDED WIRE. GOLD PLATED PER MIL-G-45204 TYPE II .00050 MIN. THICKNESS.
 4. RECEPTACLE WILL WITH STAND WITHOUT BREAKDOWN 27KVDC PIN TO PIN & 27KVDC PIN TO GRD. WHEN MATED WITH 859533, 859535 OR 859531.
 5. MARKING TO BE WHITE
 6. TYPE II SOCKETS TO ACCEPT (1) 16 AWG OR (1) 18 AWG STRANDED WIRE
 7. TYPE II SOCKETS TO ACCEPT ONE (1) 14 AWG STRANDED WIRE.

QTY REQD	QTY REQD	ITEM NO.	DWG SIZE	PART OR IDENTIFYING NO.	NOMENCLATURE OR DESCRIPTION	SYMBOL
-2	-1				PARTS LIST	

UNLESS OTHERWISE SPECIFIED: DIMENSIONS ARE IN INCHES TOLERANCES .00 ± .04 ANGLES = J .000 ± .015				CONTRACT NO. DR L. GEIB 3-9-71 CHK APPD M. GARDNER 3-9-71 APPD DSGN APPD OTHER APPD		AMP INCORPORATED CAPITON DIVISION ELIZABETHTOWN, PENNSYLVANIA NAME 3 CAVITY FLANGED RECEPTACLE H.V. LGH	
MATERIAL: MOLDED PLASTIC				FINISH: BLACK		SIZE C	CODE IDENT NO. 00779
NEXT ASSY				NEXT ASSY		NUMBER 859528	SHEET 1 of 1
QTY REQD				APPLICATION		SCALE 2-1	WT

PRINT DIST 7