



Chipsmall Limited consists of a professional team with an average of over 10 year of expertise in the distribution of electronic components. Based in Hongkong, we have already established firm and mutual-benefit business relationships with customers from,Europe,America and south Asia,supplying obsolete and hard-to-find components to meet their specific needs.

With the principle of “Quality Parts,Customers Priority,Honest Operation,and Considerate Service”,our business mainly focus on the distribution of electronic components. Line cards we deal with include Microchip,ALPS,ROHM,Xilinx,Pulse,ON,Everlight and Freescale. Main products comprise IC,Modules,Potentiometer,IC Socket,Relay,Connector.Our parts cover such applications as commercial,industrial, and automotives areas.

We are looking forward to setting up business relationship with you and hope to provide you with the best service and solution. Let us make a better world for our industry!



Contact us

Tel: +86-755-8981 8866 Fax: +86-755-8427 6832

Email & Skype: info@chipsmall.com Web: www.chipsmall.com

Address: A1208, Overseas Decoration Building, #122 Zhenhua RD., Futian, Shenzhen, China

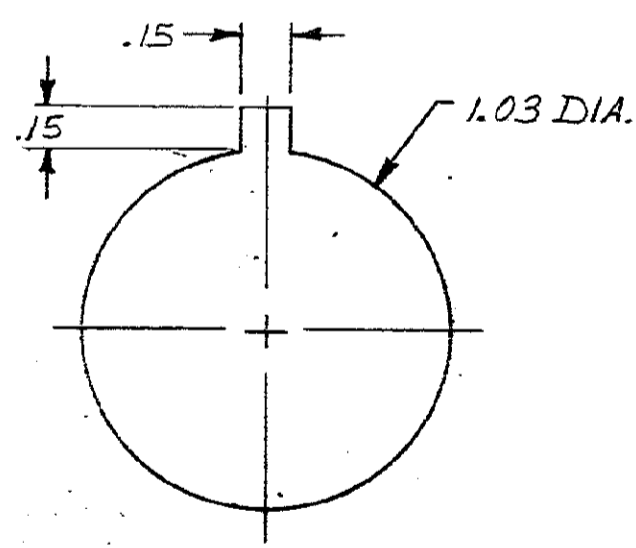
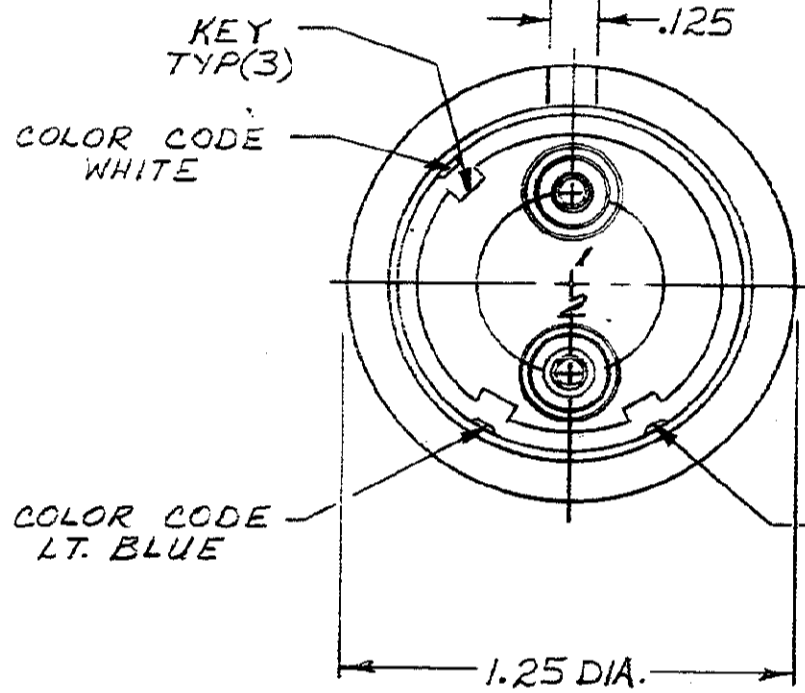
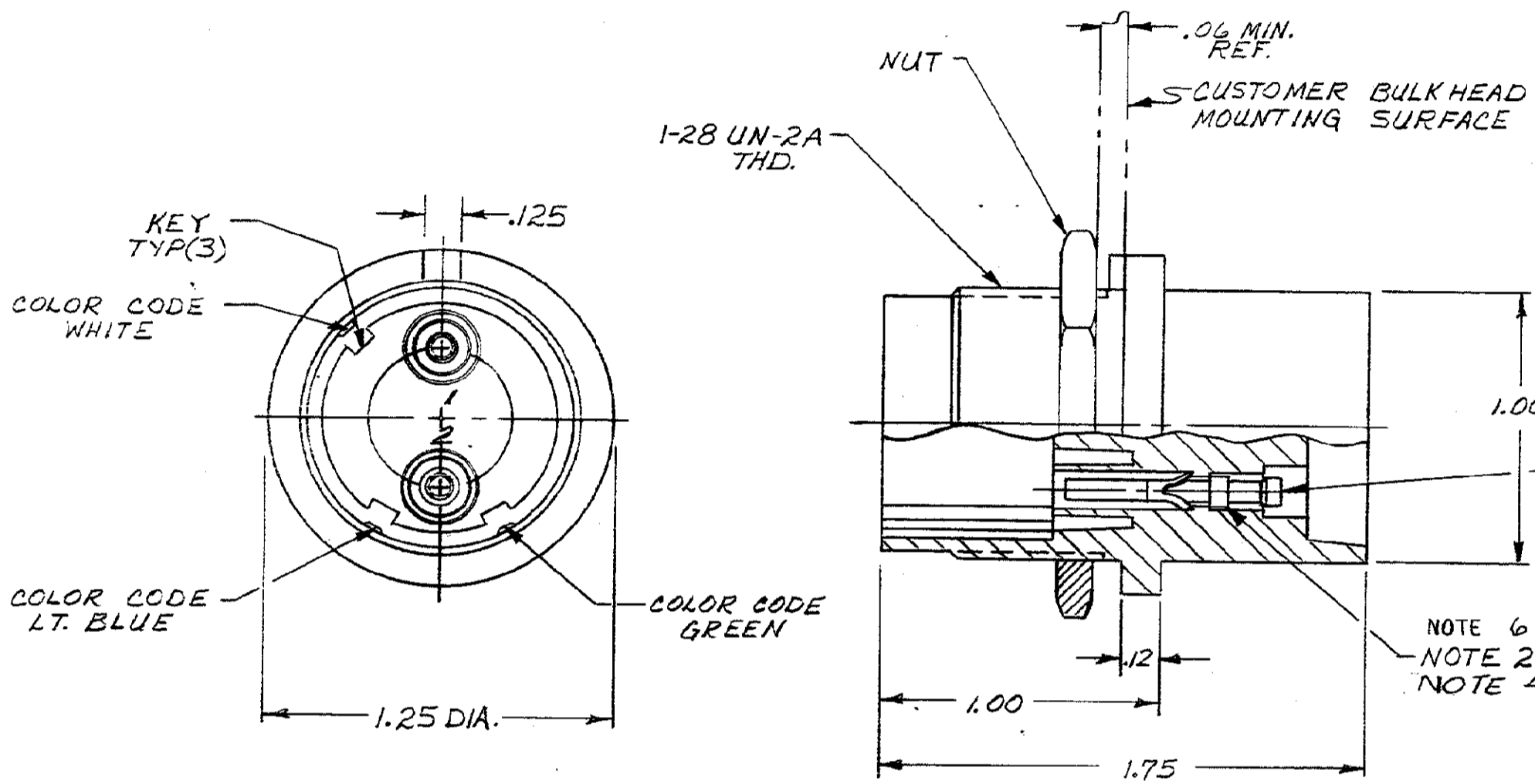


DRAWING MADE IN AMERICAN PROJECTION

© 1971 BY AMP INCORPORATED. ALL RIGHTS RESERVED. AMP PRODUCTS COVERED BY PATENTS AND/OR PATENTS PENDING.

Published copy not to be reproduced without written permission of AMP

REVISIONS				
ZONE	LTR	DESCRIPTION	DATE	APPROVED
	E	REV. & REDRAWN WAS "B" SIZE	7-24-71	MB
	F	REV. NOTE 2 & ADDED POTTING MATERIAL	8-24-71	MB
	G	ADDED P/N -2 & NOTE # 5	4-20-72	MB
	H	ADDED COLOR CODE & DELETED PORTION OF TWD	5-18-72	MB
	J	REV. NOTES	11-28-74	MA
	K	ADDED -3	2-26-76	MA
	L	ADDED -4, -5, -6	6-29-77	MA
	M	REV. PER E.C.N. 8597	1-29-79	MA
	N	OBSOLETE -3 & -6 ECN S3615	11-5-86	RS
	P	REACTIVATE -6 PER ECN DFOZC07	12/16/87	ME WJ



NOTE 6 FOR P/N -3, -6
NOTE 2 FOR P/N -1, -4
NOTE 4 FOR P/N -2, -5

- NOTE:
1. CAVITY TO ACCEPT AMP SOCKETS, TYPE II 16 GA. SOCKETS, SUPPLIED SEPARATELY IN A PLASTIC BAG.
 2. TYPE II SOCKETS WILL ACCEPT (1) 22 AWG, (1) 20 AWG, OR (1) 24 AWG STRANDED WIRE. GOLD PLATED PER MIL-G-45204 TYPE II .00050 MIN. THICKNESS. TYP
 3. RECEPTACLE WILL WITHSTAND WITHOUT BREAKDOWN 27 KV DC PIN TO PIN & 27 KV DC PIN TO GRD. WHEN MATED WITH 859817, 859537, 859530, 859531 & 859532
 4. TYPE I SOCKETS WILL ACCEPT (1) 16 AWG, OR (1) 18 AWG STRANDED WIRE.
 5. TO REMOVE SOCKETS USE EXTRACTION TOOL # 861751-1
 6. TYPE II SOCKETS TO ACCEPT ONE (1) 14 AWG STRANDED WIRE.

PART NO	WIRE SIZE SKT. WILL ACCEPT	HAND TOOL	COLOR CODING
859529-1	24, 22, 20 AWG	45099	YES
859529-2	16, 18 AWG	45098	YES
OBSOLETE 859529-3	14 AWG	45098	YES
859529-4	20, 22, 24	45099	NO
859529-5	16, 18	45098	NO
859529-6	14	45098	NO

UNLESS OTHERWISE SPECIFIED: DIMENSIONS ARE IN INCHES TOLERANCES .00 = ±.04 ANGLES = .000 = ±.015		CONTRACT NO. OR L. GEIB 2-15-71		AMP INCORPORATED CAPITRON DIVISION ELIZABETHTOWN, PENNSYLVANIA	
MATERIAL: MOLDED PLASTIC		CHK		NAME 2 CAVITY FLANGED RECEPTACLE H. V.	
FINISH: BLACK		APPD M. GARDNER 2-15-71		NUMBER 859529	
NEXT ASSY		DSGN APPD		SIZE C	
FINAL ASSY		OTHER APPD		CODE IDENT NO. 00779	
NEXT ASSY		USED ON		WT	
QTY REQD		APPLICATION		SHEET 1 OF 1	