



Chipsmall Limited consists of a professional team with an average of over 10 year of expertise in the distribution of electronic components. Based in Hongkong, we have already established firm and mutual-benefit business relationships with customers from,Europe,America and south Asia,supplying obsolete and hard-to-find components to meet their specific needs.

With the principle of “Quality Parts,Customers Priority,Honest Operation,and Considerate Service”,our business mainly focus on the distribution of electronic components. Line cards we deal with include Microchip,ALPS,ROHM,Xilinx,Pulse,ON,Everlight and Freescale. Main products comprise IC,Modules,Potentiometer,IC Socket,Relay,Connector.Our parts cover such applications as commercial,industrial, and automotives areas.

We are looking forward to setting up business relationship with you and hope to provide you with the best service and solution. Let us make a better world for our industry!



Contact us

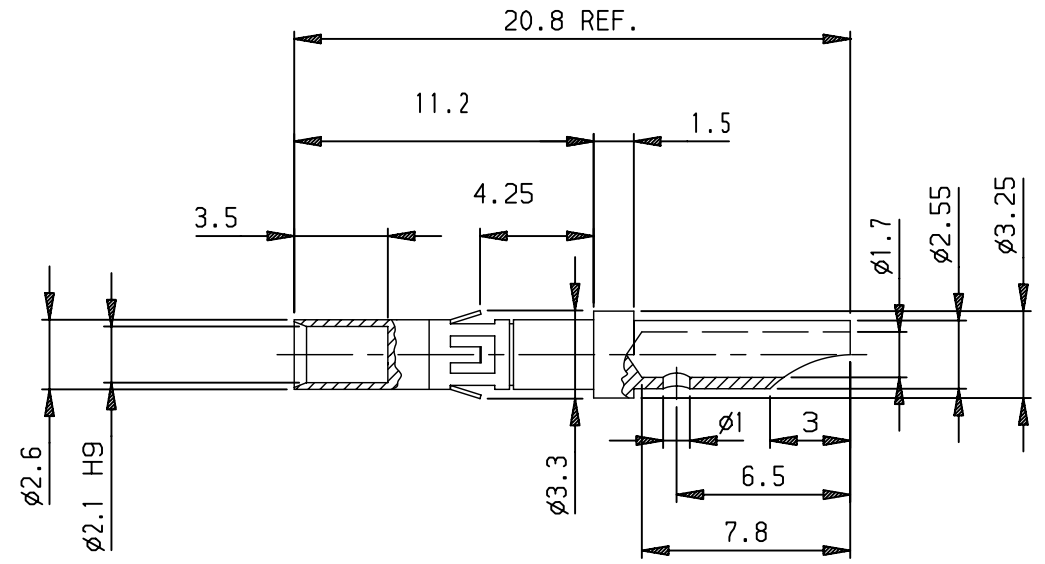
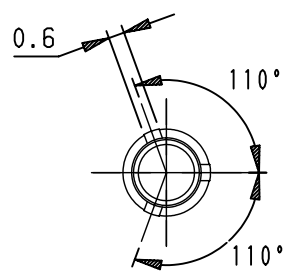
Tel: +86-755-8981 8866 Fax: +86-755-8427 6832

Email & Skype: info@chipsmall.com Web: www.chipsmall.com

Address: A1208, Overseas Decoration Building, #122 Zhenhua RD., Futian, Shenzhen, China



LEAD-FREE P/N	
85971-001LF	SOLDER TO WIRE



Copyright FCI.

NOTES:

1. THIS PRODUCT WITH "LF" SUFFIX MEETS EUROPEAN UNION DIRECTIVES AND OTHER COUNTRY REGULATIONS AS DESCRIBED IN GS -22-008.
2. THE PRODUCT IS NOT INTENDED TO BE EXPOSED TO A MANUFACTURING SOLDER PROCESS.
3. PACKAGING SPEC: SEE GS-14-920

European Views

www.fciconnect.com				surface ISO 1302	<input checked="" type="checkbox"/>	tolerance std ISO 406 ISO 1101	projection ISO 1101	mm	
				TOLERANCES UNLESS OTHERWISE SPECIFIED					
Dr	GOISNARD	2006/03/06		ANGULAR	LINEAR	0.X	±0.1	size A3	
Eng	GOISNARD	2006/03/06		0.XX	±0.1	0.XX	±0.1	Scale 5	
Chr	LEGARE	2006/03/06		0.XX' ±2'		0.XXX	±0.1	ECN LS08-0057	
Appr	LEGARE	2006/03/06		Product family		METRAL		Spec ref -	
rev	ecn no	dr	date	FCI				title MINI POWER	Rev. F
D	LS06-0022	LGO	2006/03/06	CABLE CONTACT				dwg no 85971	
E	LS07-0214	LGO	2007/08/20	catalog no				CUSTOMER	sheet 1 of 2
F	LS08-0057	LGO	2008/02/18						
-	-	-	-						
-	-	-	-						
-	-	-	-						
-	-	-	-						

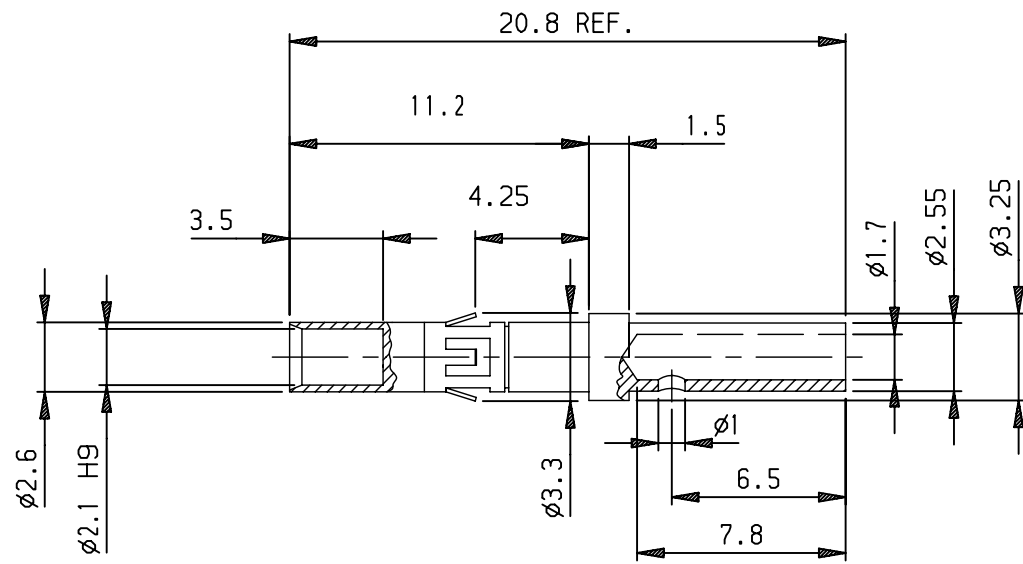
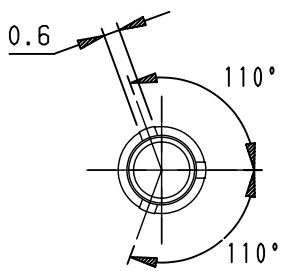
1

2

3

4

LEAD-FREE P/N	
85971-002LF	CRIMP TO WIRE



NOTES:

- 1. THIS PRODUCT WITH "LF" SUFFIX MEETS EUROPEAN UNION DIRECTIVES AND OTHER COUNTRY REGULATIONS AS DESCRIBED IN GS-22-008.
- 2. THE PRODUCT IS NOT INTENDED TO BE EXPOSED TO A MANUFACTURING SOLDER PROCESS.
- 3. PACKAGING SPEC: SEE GS-14-920

European Views

www.fciconnect.com		surface ISO 1302	<input checked="" type="checkbox"/>	tolerance std ISO 406 ISO 1101	projection 	mm
TOLERANCES UNLESS OTHERWISE SPECIFIED						
Dr	GOISNARD	2006/03/06	ANGULAR	0.X	±0.1	size A3
Eng	GOISNARD	2006/03/06	LINEAR	0.XX	±0.1	Scale 5
Chr	LEGARE	2006/03/06	0.XX' ±2'	0.XXX	±0.1	ECN LS08-0057
Appr	LEGARE	2006/03/06	Product family	METRAL		Spec ref -
		title MINI POWER CABLE CONTACT			dwg no 85971	Rev. F
catalog no		-			CUSTOMER	sheet 2 of 2

Copyright FCI.