



Chipsmall Limited consists of a professional team with an average of over 10 year of expertise in the distribution of electronic components. Based in Hongkong, we have already established firm and mutual-benefit business relationships with customers from,Europe,America and south Asia,supplying obsolete and hard-to-find components to meet their specific needs.

With the principle of “Quality Parts,Customers Priority,Honest Operation,and Considerate Service”,our business mainly focus on the distribution of electronic components. Line cards we deal with include Microchip,ALPS,ROHM,Xilinx,Pulse,ON,Everlight and Freescale. Main products comprise IC,Modules,Potentiometer,IC Socket,Relay,Connector.Our parts cover such applications as commercial,industrial, and automotives areas.

We are looking forward to setting up business relationship with you and hope to provide you with the best service and solution. Let us make a better world for our industry!



Contact us

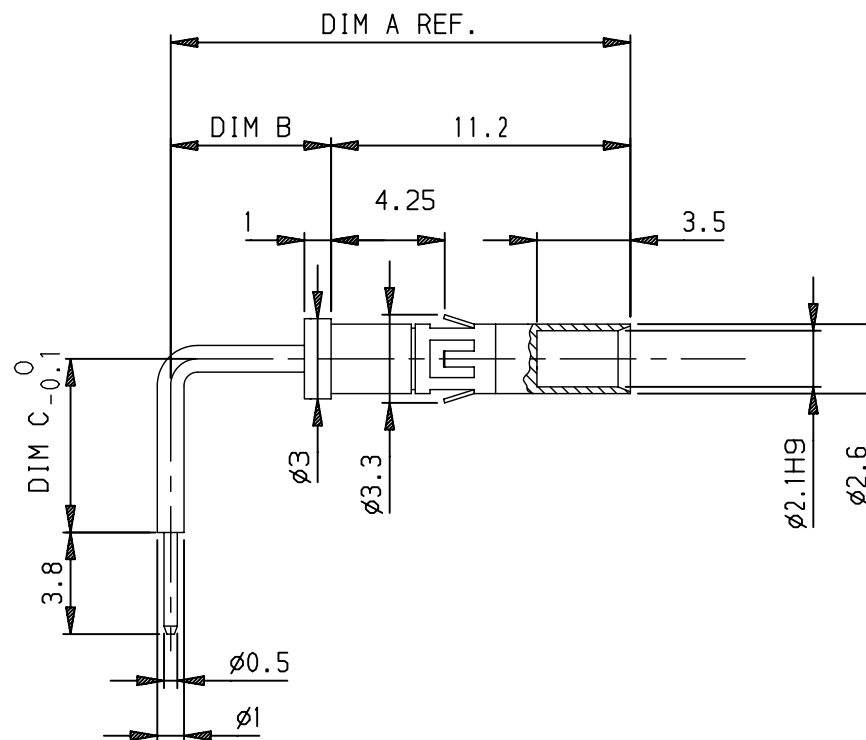
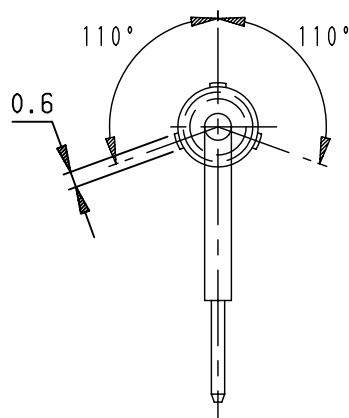
Tel: +86-755-8981 8866 Fax: +86-755-8427 6832

Email & Skype: info@chipsmall.com Web: www.chipsmall.com

Address: A1208, Overseas Decoration Building, #122 Zhenhua RD., Futian, Shenzhen, China



LEAD-FREE P/N	DIM A	DIM B	DIM C
85976-001LF	15.2	4	2.5
85976-002LF	17.2	6	6.5



NOTES:

1. THIS PRODUCT WITH "LF" SUFFIX MEETS EUROPEAN UNION DIRECTIVES AND OTHER COUNTRY REGULATIONS AS DESCRIBED IN GS -22-008.
2. THE HOUSING WILL WITHSTAND EXPOSURE TO 260DEGREE PEAK TEMPERATURE TO 30 SECONDS IN A WAVE SOLDER APPLICATION WITH A 1.6 mm MINIMUM THICK PCB
3. PACKAGING SPEC: SEE GS-14-920.

European Views

www.fciconnect.com		surface ISO 1302	<input checked="" type="checkbox"/>	tolerance std ISO 406 ISO 1101	projection 	mm
TOLERANCES UNLESS OTHERWISE SPECIFIED						
Dr	GOISNARD	2006/03/06	ANGULAR	0.X	±0.1	size A3
Eng	GOISNARD	2006/03/06	LINEAR	0.XX	±0.1	Scale 5
Chr	LEGARE	2006/03/06	0.XX' ±2'	0.XXX	±0.1	ECN LS08-0057
Appr	LEGARE	2006/03/06	Product family	METRAL		Spec ref -
		MINI POWER			Rev. E	
		RA RECEIPT CONTACT			dwg no 85976	
catalog no		-			CUSTOMER sheet 1 of 1	

rev	ecn no	dr	date
C	LS06-0022	LGO	2006/03/06
D	LS07-0214	LGO	2007/08/20
E	LS08-0057	LGO	2008/02/18
-	-	-	-
-	-	-	-
-	-	-	-