



Chipsmall Limited consists of a professional team with an average of over 10 year of expertise in the distribution of electronic components. Based in Hongkong, we have already established firm and mutual-benefit business relationships with customers from,Europe,America and south Asia,supplying obsolete and hard-to-find components to meet their specific needs.

With the principle of “Quality Parts,Customers Priority,Honest Operation,and Considerate Service”,our business mainly focus on the distribution of electronic components. Line cards we deal with include Microchip,ALPS,ROHM,Xilinx,Pulse,ON,Everlight and Freescale. Main products comprise IC,Modules,Potentiometer,IC Socket,Relay,Connector.Our parts cover such applications as commercial,industrial, and automotives areas.

We are looking forward to setting up business relationship with you and hope to provide you with the best service and solution. Let us make a better world for our industry!



Contact us

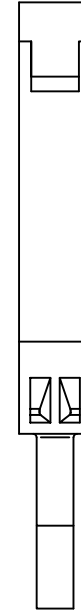
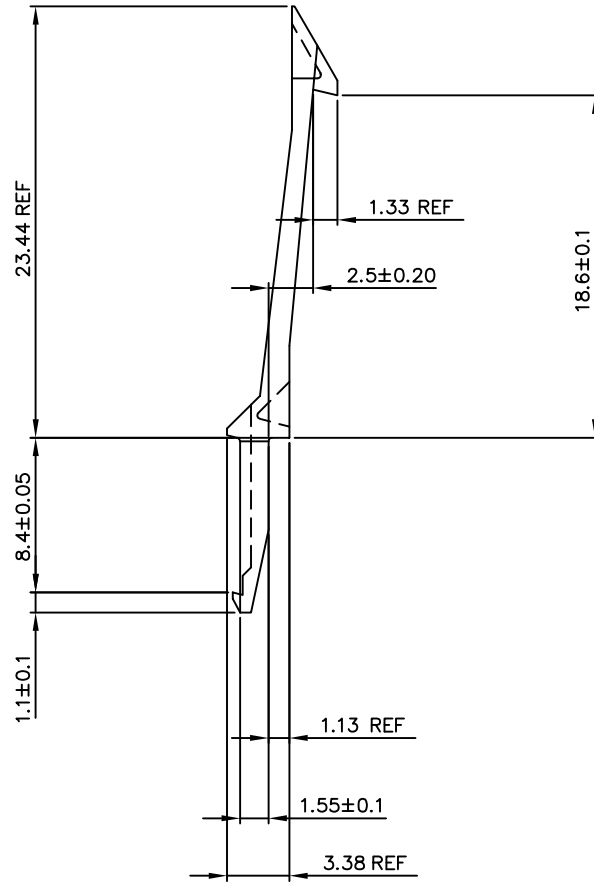
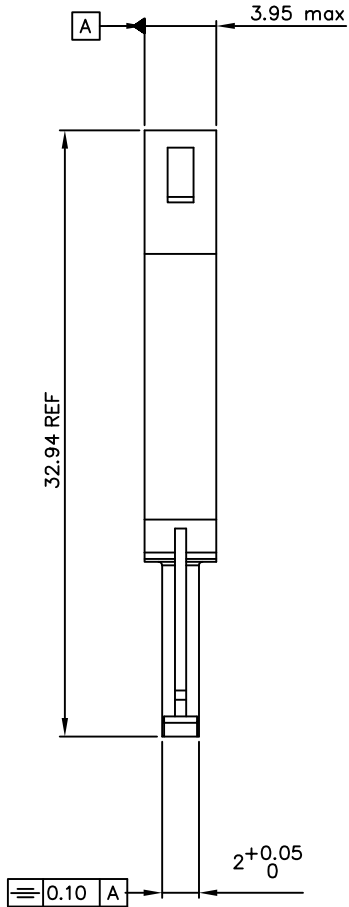
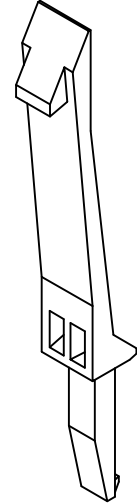
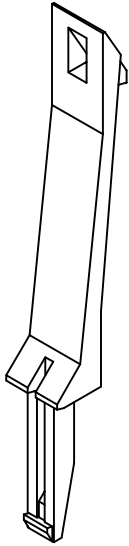
Tel: +86-755-8981 8866 Fax: +86-755-8427 6832

Email & Skype: info@chipsmall.com Web: www.chipsmall.com

Address: A1208, Overseas Decoration Building, #122 Zhenhua RD., Futian, Shenzhen, China



Partnumber:
85991-001LF



- NOTES:
1. Material: Glass filled thermoplastic, color black, UL 94 V-0
 2. THIS PRODUCT WITH "LF" SUFFIX MEETS EUROPEAN UNION DIRECTIVES AND OTHER COUNTRY REGULATIONS AS DESCRIBED IN GS -22-008.
 3. THE PRODUCT IS NOT INTENDED TO BE EXPOSED TO A MANUFACTURING SOLDER PROCESS.

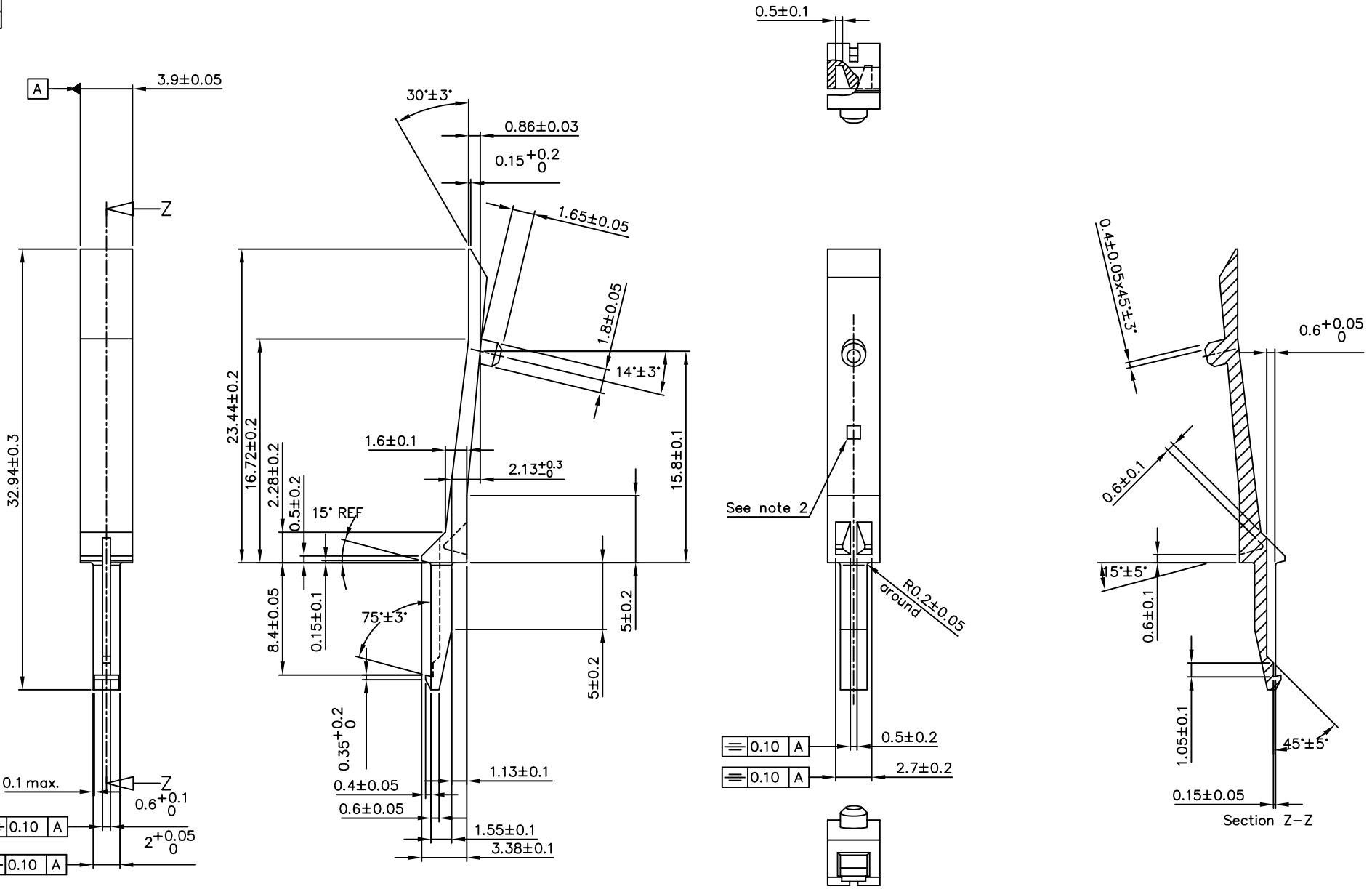
mat'l. code See note 1		tolerances unless otherwise specified		CUSTOMER COPY		ELECTRONICS www.fciconnect.com	
ltr	ecn no	dr	date	linear	projection	title 4 mm LATCH	
A	H70123	VWO	970221			EMI shielded cable connector	
B	H70802	VWO	971201			product family	Metral(tm)
C	005-040	CLU	051021	angles	mm	size	dwg no 85991
		dr	H v Woensei	970221	scale	A2	sheet 1 of 2
		eng	H v Woensei	970221	5:1		
		chr	H Coolmans	970221			
		app	H v Woensei	970221			
sheet	revision	c	c				
Index	sheet	1	2				

PDM: Rev.C

STATUS: Released

Printed: Jul 29, 2010

Partnumber:
85991-002LF



- NOTES:
- 1 Material: Ultem 1010, color: black.
 2. Cavity number in approximate area shown, may protrude 0.15 mm max. above surface.
 3. All dimensions starting in a radius, to be sharp measured.

mat'l. code 16-409-001		tolerances unless otherwise specified		INSPECTION COPY		ELECTRONICS www.fciconnect.com	
ltr	ec'n no	dr	date	linear	projection	title 4 mm LATCH EMI shielded cable connector	
d				angles	mm	product family	Metral(tm)
		dr	H v Woensel	971201	scale	code	210
		eng	H v Woensel	971201	5:1	sheet	2 of-
		chr	P Schalk	971201		size	dwg no
		app	H v Woensel	971201		A2	85991
sheet	revision						
index	sheet						

This data is preliminary. Reproduction or use in other projects is not permitted without written authority from the manufacturer. © FCI Inc.