



Chipsmall Limited consists of a professional team with an average of over 10 year of expertise in the distribution of electronic components. Based in Hongkong, we have already established firm and mutual-benefit business relationships with customers from,Europe,America and south Asia,supplying obsolete and hard-to-find components to meet their specific needs.

With the principle of “Quality Parts,Customers Priority,Honest Operation,and Considerate Service”,our business mainly focus on the distribution of electronic components. Line cards we deal with include Microchip,ALPS,ROHM,Xilinx,Pulse,ON,Everlight and Freescale. Main products comprise IC,Modules,Potentiometer,IC Socket,Relay,Connector.Our parts cover such applications as commercial,industrial, and automotives areas.

We are looking forward to setting up business relationship with you and hope to provide you with the best service and solution. Let us make a better world for our industry!



Contact us

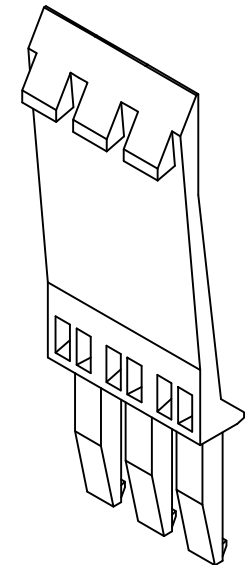
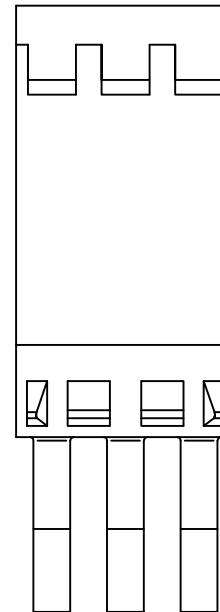
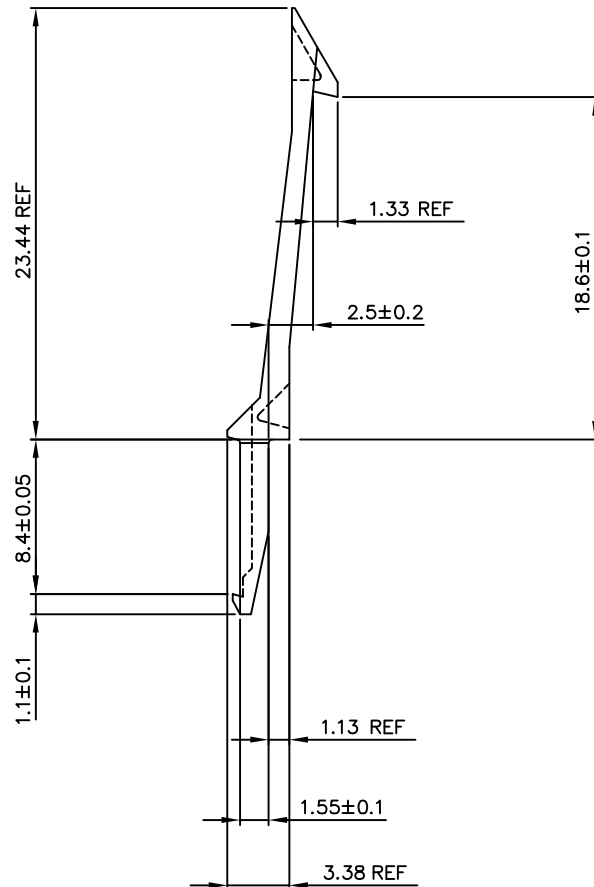
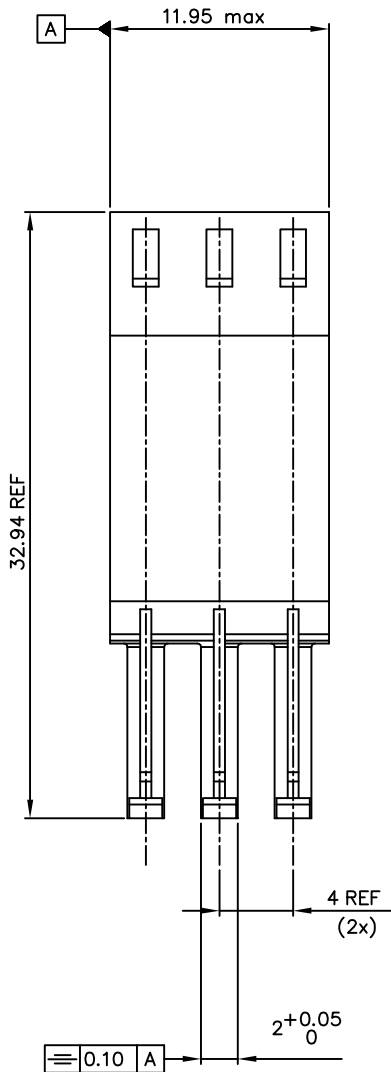
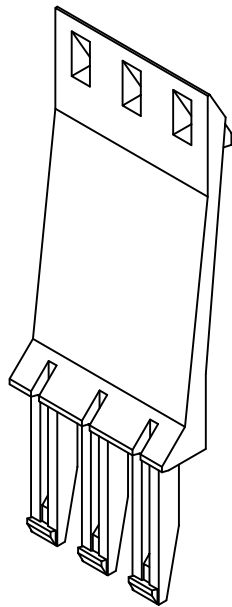
Tel: +86-755-8981 8866 Fax: +86-755-8427 6832

Email & Skype: info@chipsmall.com Web: www.chipsmall.com

Address: A1208, Overseas Decoration Building, #122 Zhenhua RD., Futian, Shenzhen, China



Partnumber:
85992-001LF



- NOTES:
- 1 Material: Glass filled thermoplastic, color black, UL 94 V-0
 2. THIS PRODUCT WITH "LF" SUFFIX MEETS EUROPEAN UNION DIRECTIVES AND OTHER COUNTRY REGULATIONS AS DESCRIBED IN GS -22-008.
 3. THE PRODUCT IS NOT INTENDED TO BE EXPOSED TO A MANUFACTURING SOLDER PROCESS.

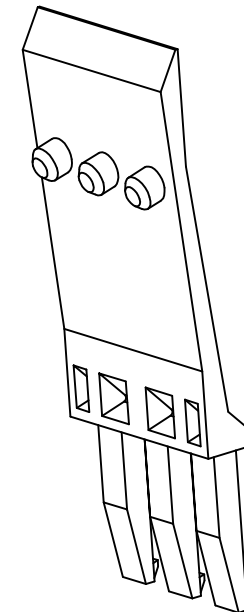
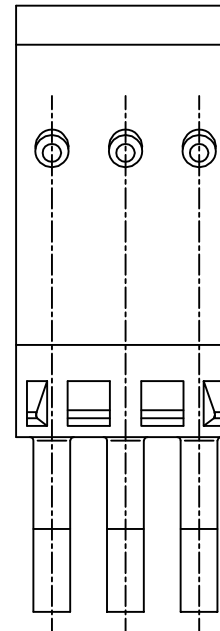
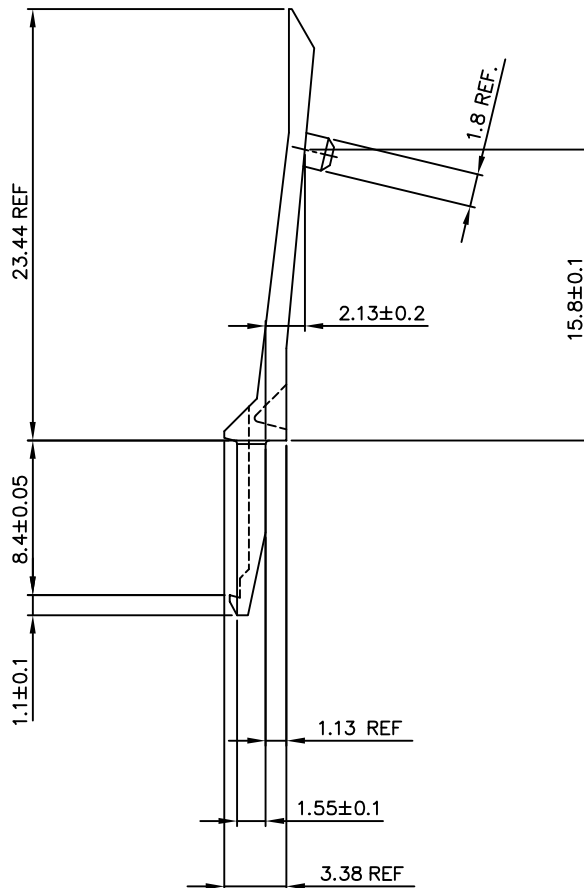
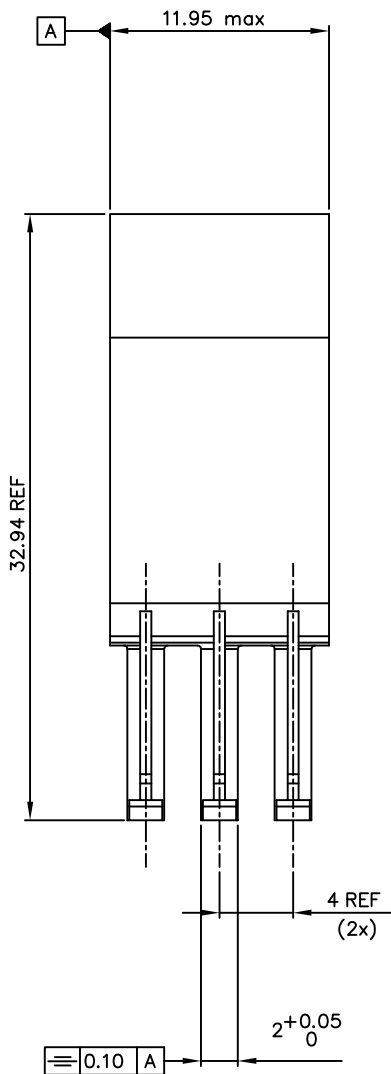
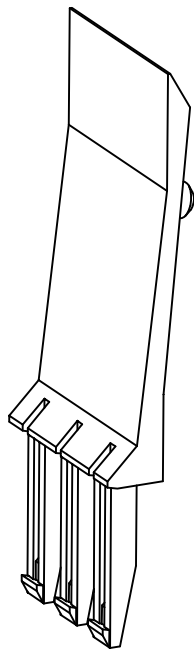
mat'l. code		tolerances unless otherwise specified		CUSTOMER COPY		FCI ELECTRONICS	
See note 1				COPY		www.fciconnect.com	
ltr	ecn no	dr	date	linear	projection	title 12 mm LATCH	
A	H70123	VMO	970221			EMI shielded cable connector	
B	H70802	VMO	971125			product family Metral(tm)	
C	H00525	VB	001221	angles		code	213
D	005-040	CLU	051021	dr	H v Woensei	970221	sheet
				eng	H v Woensei	970221	1 of 3
				chr	H Cooljmans	970221	
				app	H v Woensei	970221	
sheet	revision	D	D			scale	
1	1					5:1	
Indx	sheet	1	2			A2	85992

PDM: Rev.D

STATUS: Released

Printed: May 19, 2011

Partnumber:
85992-002LF



- NOTES:
- 1 Material: Glass filled thermoplastic, color black, UL 94 V-0
 2. THIS PRODUCT WITH "LF" SUFFIX MEETS EUROPEAN UNION DIRECTIVES AND OTHER COUNTRY REGULATIONS AS DESCRIBED IN GS -22-008.
 3. THE PRODUCT IS NOT INTENDED TO BE EXPOSED TO A MANUFACTURING SOLDER PROCESS.

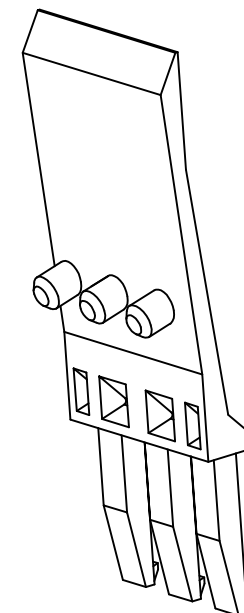
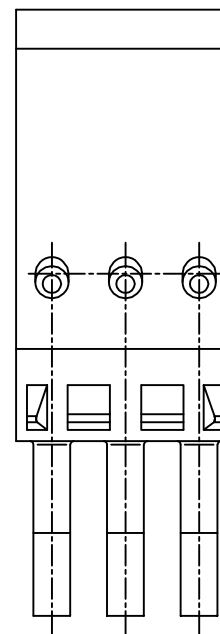
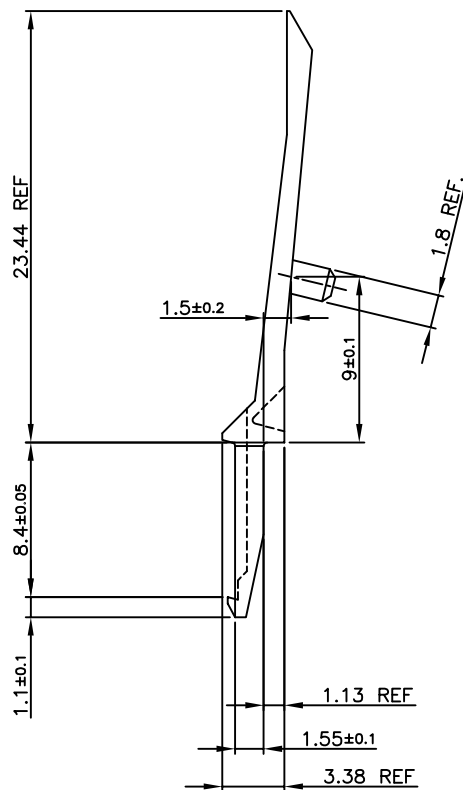
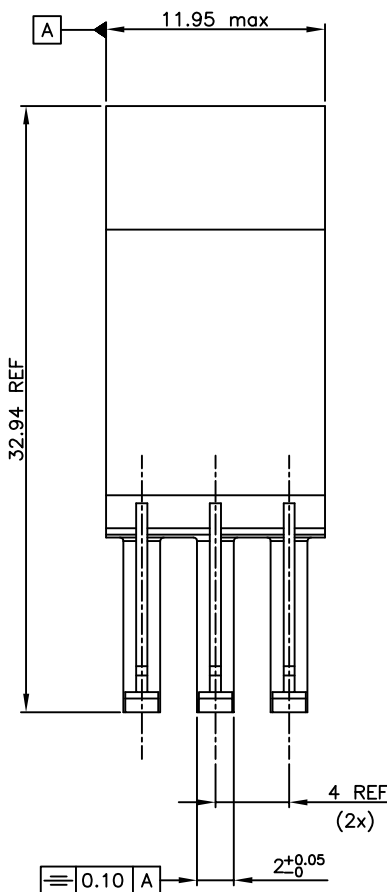
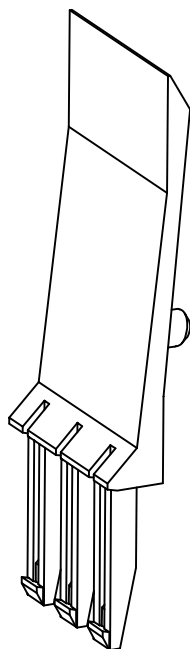
mat'l. code See note 1		tolerances unless otherwise specified		CUSTOMER COPY		ELECTRONICS www.fciconnect.com	
ltr	ecn no	dr	date	linear	projection	title 12 mm LATCH	
d				angles	mm	EMI shielded cable connector	
		dr	H v Woensei	970221		product family	Metral(tm)
		eng	H v Woensei	970221	scale		code
		chr	H Cooljmans	970221	5:1		213
		app	H v Woensei	970221		A2	sheet
sheet	revision						2 of-
index	sheet						

PDM: Rev:D

STATUS: Released

Printed: May 19, 2011

Part number
85992-003LF



- NOTES:
- 1 Material: Glass filled thermoplastic, color black, UL 94 V-0
 2. THIS PRODUCT WITH "LF" SUFFIX MEETS EUROPEAN UNION DIRECTIVES AND OTHER COUNTRY REGULATIONS AS DESCRIBED IN GS -22-008.
 3. THE PRODUCT IS NOT INTENDED TO BE EXPOSED TO A MANUFACTURING SOLDER PROCESS.

mat'l. code See note 1		tolerances unless otherwise specified		CUSTOMER COPY		ELECTRONICS www.fciconnect.com	
ltr	ecn no	dr	date	linear	projection	title 12 mm LATCH	
d				angles	mm	EMI shielded cable connector	
		dr	VISSCHERS	IB	001221	product family	Metral(tm)
		eng	W v.ALST		001221	code	213
		chr	W v.ALST		001221	size	dwg no
		app	W v.ALST		001221	scale	5:1
sheet	revision					A2	85992
Indx	sheet						3 of 3

PDM: Rev:D

STATUS: Released

Printed: May 19, 2011