



Chipsmall Limited consists of a professional team with an average of over 10 year of expertise in the distribution of electronic components. Based in Hongkong, we have already established firm and mutual-benefit business relationships with customers from,Europe,America and south Asia,supplying obsolete and hard-to-find components to meet their specific needs.

With the principle of "Quality Parts,Customers Priority,Honest Operation,and Considerate Service",our business mainly focus on the distribution of electronic components. Line cards we deal with include Microchip,ALPS,ROHM,Xilinx,Pulse,ON,Everlight and Freescale. Main products comprise IC,Modules,Potentiometer,IC Socket,Relay,Connector.Our parts cover such applications as commercial,industrial, and automotives areas.

We are looking forward to setting up business relationship with you and hope to provide you with the best service and solution. Let us make a better world for our industry!



Contact us

Tel: +86-755-8981 8866 Fax: +86-755-8427 6832

Email & Skype: info@chipsmall.com Web: www.chipsmall.com

Address: A1208, Overseas Decoration Building, #122 Zhenhua RD., Futian, Shenzhen, China

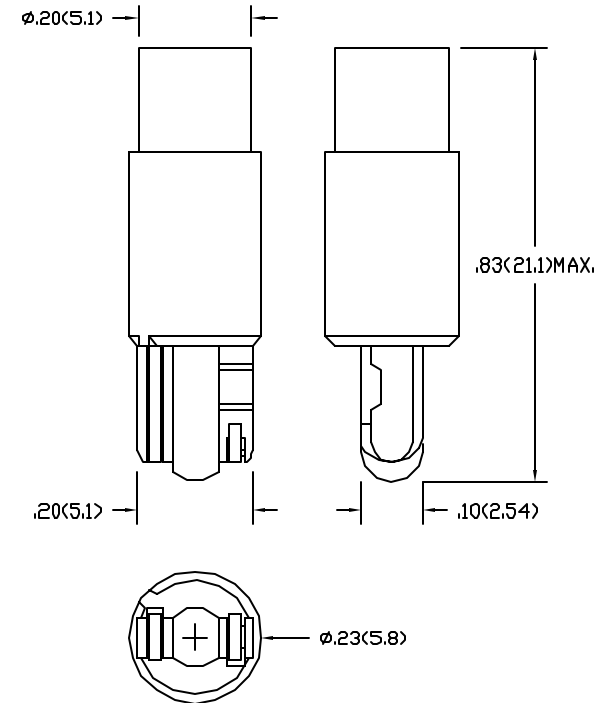
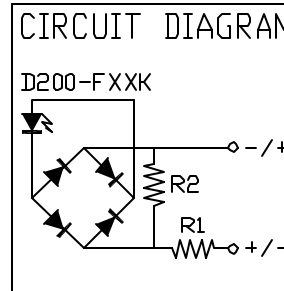


DATA DISPLAY PRODUCTS (DDP) PROPRIETARY INFORMATION. DO NOT REPRODUCE, COPY, OR USE WITHOUT EXPRESS WRITTEN PERMISSION. COPYRIGHT DATA DISPLAY PRODUCTS.

REV.	DATE	BY	DESCRIPTION	503255
A	011212	LC	INITIAL RELEASE	

ELECTRO-OPTICAL CHARACTERISTICS
@ T_a = 25°C

SYM	PARAMETER	X = LED COLOR						UNIT
		RED	ORANGE	AMBER	GREEN	BLUE	WHITE	
I _v	TYP. LUMINOUS INTENSITY e I _F =20mA	300	450	325	300	125	270	mcd
V _o	OPERATING VOLTAGE	28	28	28	28	28	28	V
I _f	TYP. FORWARD CURRENT e V _F =28V	15.0~16.0			9.0~10.0			mA
I _{nx}	MAX. FORWARD CURRENT e V _F =30V	17.5	17.5	17.5	11	11	11	mA
V _{br}	REVERSE BREAKDOWN e I _r =100uA	-	-	-	-	-	-	V
λ _{pk}	PEAK WAVELENGTH	635	609	592	520	465	-	nm
λ _D	DOMINANT WAVELENGTH	625	605	590	525	470	-	nm



ABSOLUTE MAX. RATINGS T_a=25°C

PARAMETER	VALUE		UNIT
	R, D & A	G, B & W	
POWER DISSIPATION	525	330	mW
DERATE/°C >T _a	7.9	5	mW
OPERATING VOLTAGE	30	30	V
OPERATING TEMPERATURE	-40<+100	-30<+85	°C
STORAGE TEMPERATURE	-40<+120	-40<+100	°C

REMARKS:

- Dimensions are in inches(mm).
- LED encapsulation is water-clear.
- This device is immune to peak noise current of 3mA.
- Caution: GaInN LEDs are class 1 ESD sensitive (MIL-STD-1686). Exceeding absolute maximum ratings may cause damage to, or possibly result in catastrophic failure of these devices. Use appropriate ESD precautions during handling and operation.
- For 200-FW4K LED chromaticity coordinate range, see drawing #502590.

445 S. DOUGLAS ST., EL SEGUNDO, CA. 90245 (310)640-0442 FAX: (310)640-7639			
DATE: 011212	DWN BY: LC	CHK'D BY:	APPRV'D BY:
LAST REV. DATE: -	REV LEVEL A	MATERIAL: -	
TITLE 85LS-X1			
SCALE: NONE	TOL: ± .025(.63)	.XX(.X) .XXX(.XX) ANG. -	DWG NUMBER: 503255