



Chipsmall Limited consists of a professional team with an average of over 10 year of expertise in the distribution of electronic components. Based in Hongkong, we have already established firm and mutual-benefit business relationships with customers from,Europe,America and south Asia,supplying obsolete and hard-to-find components to meet their specific needs.

With the principle of “Quality Parts,Customers Priority,Honest Operation,and Considerate Service”,our business mainly focus on the distribution of electronic components. Line cards we deal with include Microchip,ALPS,ROHM,Xilinx,Pulse,ON,Everlight and Freescale. Main products comprise IC,Modules,Potentiometer,IC Socket,Relay,Connector.Our parts cover such applications as commercial,industrial, and automotives areas.

We are looking forward to setting up business relationship with you and hope to provide you with the best service and solution. Let us make a better world for our industry!



Contact us

Tel: +86-755-8981 8866 Fax: +86-755-8427 6832

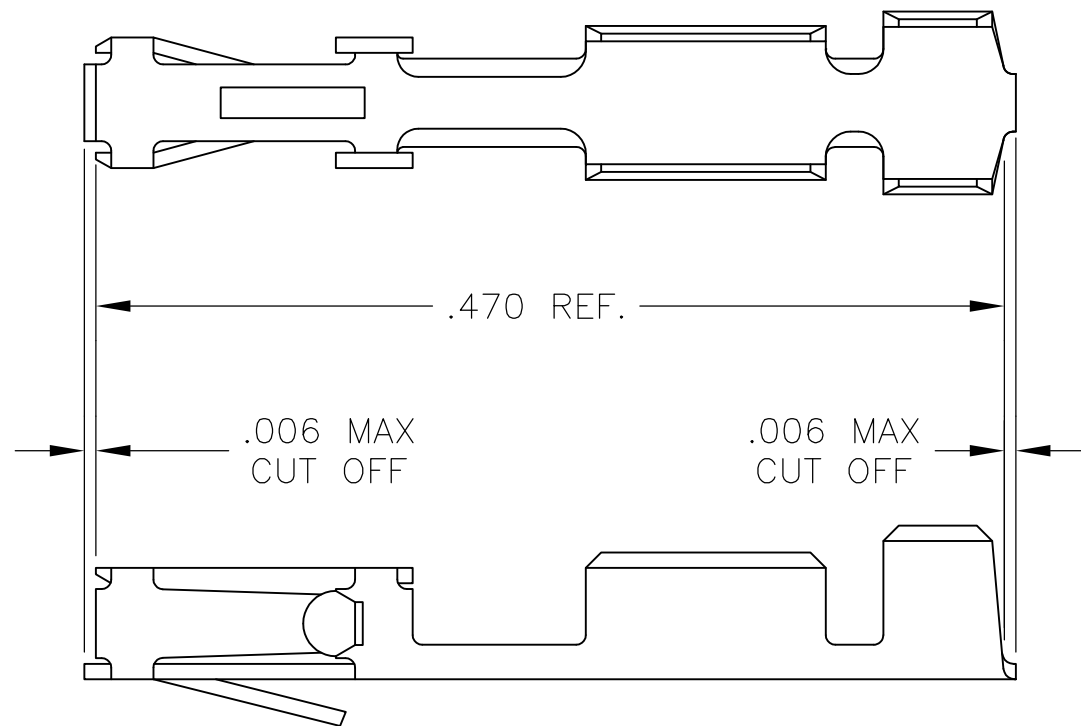
Email & Skype: info@chipsmall.com Web: www.chipsmall.com

Address: A1208, Overseas Decoration Building, #122 Zhenhua RD., Futian, Shenzhen, China




THIS DRAWING IS UNPUBLISHED. RELEASED FOR PUBLICATION
 © COPYRIGHT - By - ALL RIGHTS RESERVED.

LOC	DIST	REVISIONS			
P	LTR	DESCRIPTION	DATE	DWN	APVD
AD	00	B1	REVISED PER ECO-11-004820	11MAR11	RK HMR



1. WIRE RANGE: #20-#24
2. INSULATION RANGE: .069 MAX. DIA.
3. FOR SECTIONS AND ADDITIONAL DIMENSIONS SEE AMP CUSTOMER DRAWING#85969

OBSOLETE	PART NUMBER	FINISH
	86016-6	GOLD FLASH OVER .000050 NICKEL ENTIRE CONTACT,.000050 GOLD IN CONTACT AREA
	86016-5	GOLD FLASH OVER .000050 NICKEL ENTIRE CONTACT,.000015 GOLD IN CONTACT AREA
	86016-4	.000050 GOLD OVER .000050 NICKEL
	86016-3	PREPLATED:(HALT).000078-.000158 BRIGHT TIN
	86016-2	GOLD FLASH OVER .000050 NICKEL ENTIRE CONTACT,.000030 GOLD IN CONTACT AREA
	86016-1	.000030 GOLD OVER .000050 NICKEL

THIS DRAWING IS A CONTROLLED DOCUMENT.		DWN E.C. CLAYBAUGH	 TE Connectivity															
DIMENSIONS: INCHES		CHK -				NAME RECEPTACLE CONTACT, MOD IV CRIMP SNAP-IN LOOSE PIECE												
TOLERANCES UNLESS OTHERWISE SPECIFIED:		APVD -	PRODUCT SPEC -															
<table border="0"> <tr><td>0 PLC</td><td>± -</td></tr> <tr><td>1 PLC</td><td>± -</td></tr> <tr><td>2 PLC</td><td>± -</td></tr> <tr><td>3 PLC</td><td>± -</td></tr> <tr><td>4 PLC</td><td>± -</td></tr> <tr><td>ANGLES</td><td>± -</td></tr> </table>		0 PLC	± -	1 PLC	± -	2 PLC	± -	3 PLC	± -	4 PLC	± -	ANGLES	± -	APPLICATION SPEC -	SIZE A3	CAGE CODE 00779	DRAWING NO C-86016	RESTRICTED TO -
0 PLC	± -																	
1 PLC	± -																	
2 PLC	± -																	
3 PLC	± -																	
4 PLC	± -																	
ANGLES	± -																	
MATERIAL BERYLLIUM COPPER	FINISH -	WEIGHT -	CUSTOMER DRAWING		SCALE 10:1	SHEET 1 OF 1	REV B1											