



Chipsmall Limited consists of a professional team with an average of over 10 year of expertise in the distribution of electronic components. Based in Hongkong, we have already established firm and mutual-benefit business relationships with customers from,Europe,America and south Asia,supplying obsolete and hard-to-find components to meet their specific needs.

With the principle of “Quality Parts,Customers Priority,Honest Operation,and Considerate Service”,our business mainly focus on the distribution of electronic components. Line cards we deal with include Microchip,ALPS,ROHM,Xilinx,Pulse,ON,Everlight and Freescale. Main products comprise IC,Modules,Potentiometer,IC Socket,Relay,Connector.Our parts cover such applications as commercial,industrial, and automotives areas.

We are looking forward to setting up business relationship with you and hope to provide you with the best service and solution. Let us make a better world for our industry!



Contact us

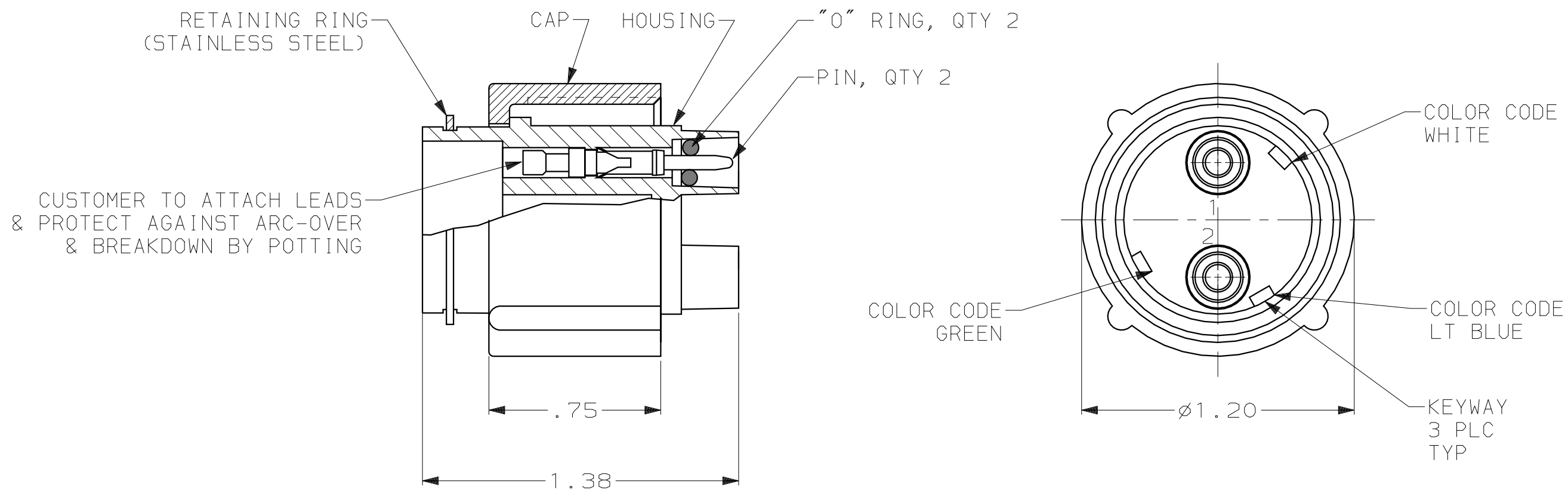
Tel: +86-755-8981 8866 Fax: +86-755-8427 6832

Email & Skype: info@chipsmall.com Web: www.chipsmall.com

Address: A1208, Overseas Decoration Building, #122 Zhenhua RD., Futian, Shenzhen, China



LOC	DIST	P	F	ZONE	LTR	DESCRIPTION	DATE	APPD
DF	50				J	REV PER 0H14-0120-03 CT	10-26-04	DE



1. PLUG ASS'Y WILL WITHSTAND WITHOUT BREAKDOWN 27 KVDC PIN TO PIN & 27 KVDC PIN TO GROUND WHEN MATED WITH RECEPT.
- 2 TYPE II PINS TO ACCEPT (1) 20 AWG, (1) 22 AWG, OR (1) 24 AWG STRANDED WIRE.
- 3 TYPE II PINS TO ACCEPT (1) 16 AWG OR (1) 18 AWG STRANDED WIRE.
- 4 TYPE II PINS TO ACCEPT (1) 14 AWG STRANDED WIRE.
5. PLUGS AND PINS TO BE PACKAGED SEPARATELY.
6. TO REMOVE PINS USE EXTRACTION TOOL #861751-1.

OBS	REMARKS	HAND TOOL	COLOR CODE	RANGE WIRE SIZE	PART NO.
	4	45098	NO	14	860261-6
	3	45098	NO	16,18	860261-5
	2	45099	NO	20,22,24	860261-4
OBS	4	45098	YES	14	860261-3
	3	45098	YES	16,18	860261-2
OBS	2	45099	YES	20,22,24	860261-1

DO NOT SCALE PRINT. UNLESS SPECIFIED DIMENSIONS IN mm [INCHES] TOLERANCES ON : 2 PLC DEC ± - 3 PLC DEC ± - ANGLES ± -	DR 07-08-93 THOMPSON CHK 07-23-93 S. GLATFELTER APPD 07-23-93 S. GLATFELTER	AMP AMP Incorporated Harrisburg, PA 17105-3608 NAME PLUG KIT, LGH, 2 POSN.			
MATERIAL POLYESTER	APPD 07-23-93 S. GLATFELTER PRODUCT SPEC -				
FINISH BLACK	APPLICATION SPEC -	SIZE C 00779	CAGE CODE C=860261	DRAWING NO C=860261	
	WEIGHT -	SCALE 2:1		SHEET 1 OF 1	

THIS DRAWING IS A CONTROLLED DOCUMENT FOR AMP INCORPORATED. IT IS SUBJECT TO CHANGE AND THE CONTROLLING ENGINEERING ORGANIZATION SHOULD BE CONTACTED FOR THE LATEST REVISION.