



Chipsmall Limited consists of a professional team with an average of over 10 year of expertise in the distribution of electronic components. Based in Hongkong, we have already established firm and mutual-benefit business relationships with customers from,Europe,America and south Asia,supplying obsolete and hard-to-find components to meet their specific needs.

With the principle of “Quality Parts,Customers Priority,Honest Operation,and Considerate Service”,our business mainly focus on the distribution of electronic components. Line cards we deal with include Microchip,ALPS,ROHM,Xilinx,Pulse,ON,Everlight and Freescale. Main products comprise IC,Modules,Potentiometer,IC Socket,Relay,Connector.Our parts cover such applications as commercial,industrial, and automotives areas.

We are looking forward to setting up business relationship with you and hope to provide you with the best service and solution. Let us make a better world for our industry!



Contact us

Tel: +86-755-8981 8866 Fax: +86-755-8427 6832

Email & Skype: info@chipsmall.com Web: www.chipsmall.com

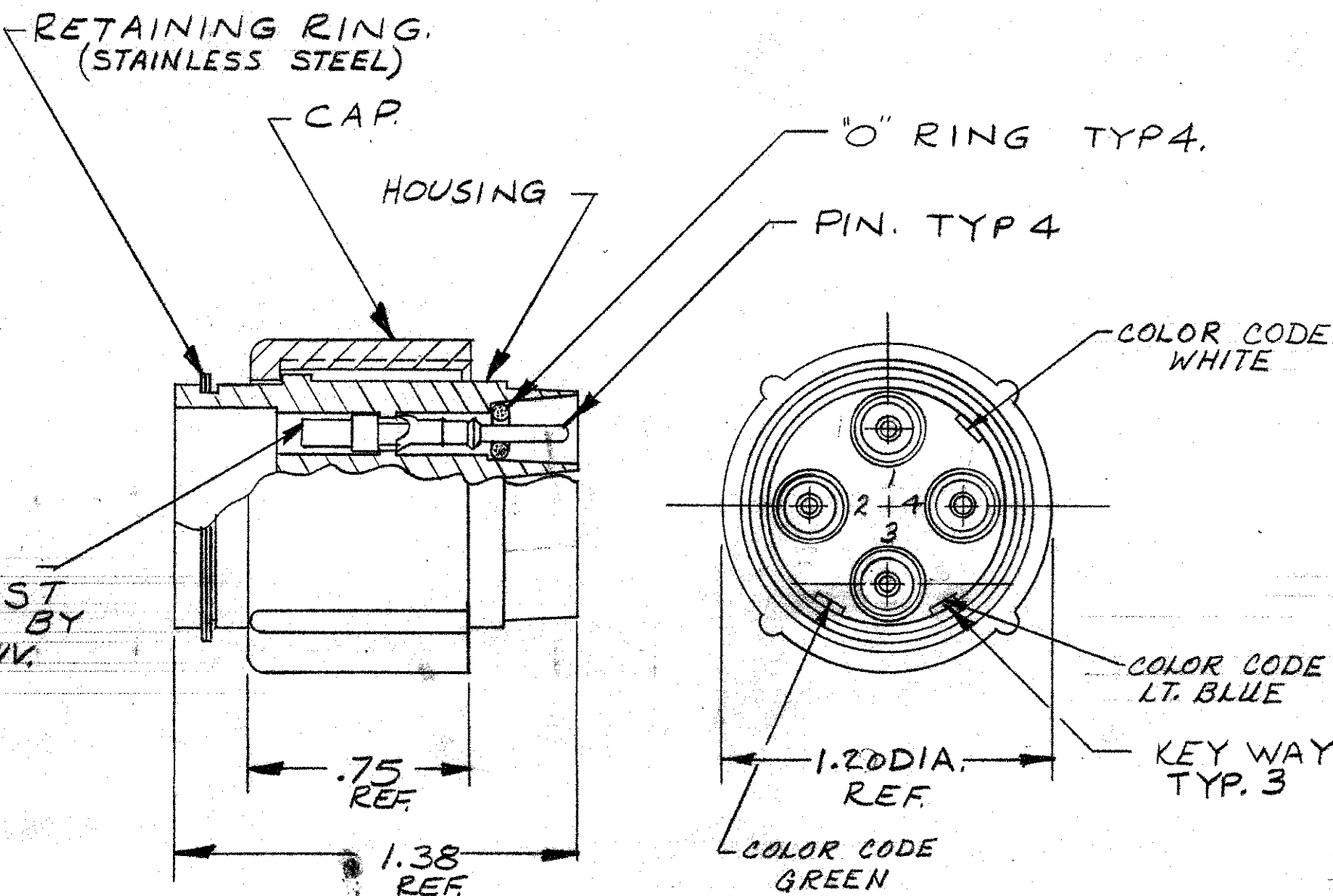
Address: A1208, Overseas Decoration Building, #122 Zhenhua RD., Futian, Shenzhen, China



©1972 BY AMP INCORPORATED. ALL RIGHTS RESERVED. AMP PRODUCTS COVERED BY PATENTS AND/OR PATENTS PENDING.

THIS PRODUCT DESIGNED AND BUILT BY AMP INCORPORATED. NO LICENSE TO USE THAT DESIGN IN MANUFACTURE, OR TO USE ANY ISSUED OR PENDING PATENTS WHICH ARE INVOLVED, IS IMPLIED.

REVISIONS				
ZONE	LTR	DESCRIPTION	DATE	APPROVED
	A	1.19 DIA WAS 1.12 & RET. RING WAS RUBBER; ADDED COLOR CODE TO KEYWAYS	3/14/72	M.S.
	B	ADDED -2 ADDED NOTE 3 & 4	1/10/74	M.S.
	C	ADDED -3	2-26-76	M.S.
	D	ADDED -4, -5, -6	6-30-77	M.S.
	E	OBSOLETE -3, -6	ECN 53615 11-5-86	R.S.
	F	REV PER 0414-120-04	10-04	CT



- NOTE:
- MARKING, WHITE.
 - #16 GA. PINS. GOLD PLATED PER MIL-G-45204, TYPE II, .00005 THK. MIN.
 - PLUG & PINS SHIPPED SEPARATELY.
 - TYPE II PINS TO ACCEPT (1) 22 AWG, (1) 20 AWG, OR (1) 24 AWG STRANDED WIRE
 - TYPE II PINS TO ACCEPT (1) 16 AWG, OR 18 AWG STRANDED WIRE
 - TO REMOVE PINS USE EXTRACTION TOOL NO. 860751-1
 - TYPE II PINS TO ACCEPT ONE (1) 14 AWG STRANDED WIRE.

AMP P/N	WIRE SIZE RANGE	HAND TOOL	COLOR CODING
860265-1	20, 22, 24	45099	YES
-2	16, 18	45098	YES
-3	14	45098	YES
-4	20, 22, 24	45099	NO
-5	16, 18	45098	NO
860265-6	14	45098	NO

QTY REQD	QTY REQD	ITEM NO.	DWG SIZE	PART OR IDENTIFYING NO.	NOMENCLATURE OR DESCRIPTION	SYMBOL
					PARTS LIST	
UNLESS OTHERWISE SPECIFIED: DIMENSIONS ARE IN INCHES TOLERANCES .00 ± ANGLES = .000 ±				CONTRACT NO. 3-25-72	AMP INCORPORATED CAPITRON DIVISION ELIZABETHTOWN, PENNSYLVANIA	
MATERIAL: MOLDED PLASTIC				DR. C. Stone	NAME: PLUG ASS'Y A PIN.	
FINISH: BLACK.				CHK. M. Andra 3/25/72	EGH.	
NEXT ASSY	FINAL ASSY	NEXT ASSY	USED ON	DSGN APPD	SIZE C	CODE IDENT NO. 00779
				OTHER APPD	NUMBER	860265
APPLICATION				SCALE NONE	WT	SHEET 1 OF 1