



Chipsmall Limited consists of a professional team with an average of over 10 year of expertise in the distribution of electronic components. Based in Hongkong, we have already established firm and mutual-benefit business relationships with customers from,Europe,America and south Asia,supplying obsolete and hard-to-find components to meet their specific needs.

With the principle of “Quality Parts,Customers Priority,Honest Operation,and Considerate Service”,our business mainly focus on the distribution of electronic components. Line cards we deal with include Microchip,ALPS,ROHM,Xilinx,Pulse,ON,Everlight and Freescale. Main products comprise IC,Modules,Potentiometer,IC Socket,Relay,Connector.Our parts cover such applications as commercial,industrial, and automotives areas.

We are looking forward to setting up business relationship with you and hope to provide you with the best service and solution. Let us make a better world for our industry!



Contact us

Tel: +86-755-8981 8866 Fax: +86-755-8427 6832

Email & Skype: info@chipsmall.com Web: www.chipsmall.com

Address: A1208, Overseas Decoration Building, #122 Zhenhua RD., Futian, Shenzhen, China

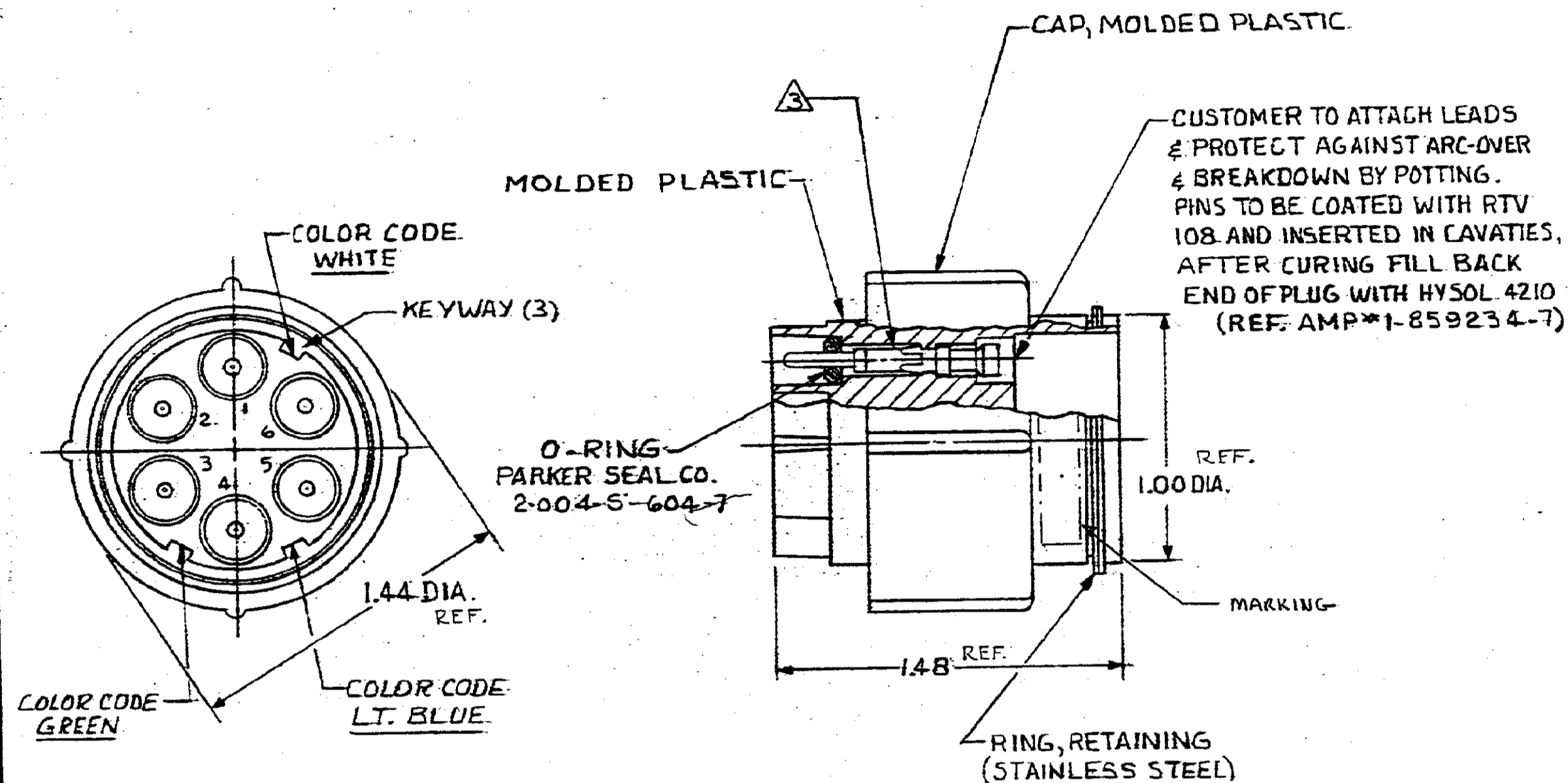


DRAWING MADE IN THIRD ANGLE PROJECTION

THIS DRAWING IS UNPUBLISHED. RELEASED FOR PUBLICATION . 19
 © COPYRIGHT 19 BY AMP INCORPORATED, HARRISBURG, PA. ALL INTERNATIONAL RIGHTS RESERVED. AMP PRODUCTS MAY BE COVERED BY U.S. AND FOREIGN PATENTS AND/OR PATENTS PENDING.

LOC DIST
DF 50

REVISIONS					
P	F	ZONE/LTR	DESCRIPTION	DATE	APPROVED
		E	REDRAWN 5/0 CHANGE	6/11/84	J.W.
		F	OBSOLETE - 6	ECNS305 11-5-84	R.B.
✓	✓	G	OBS-3 ECNDF0376	2/2/89	T.W.



CUSTOMER TO ATTACH LEADS & PROTECT AGAINST ARC-OVER & BREAKDOWN BY POTTING. PINS TO BE COATED WITH RTV 108 AND INSERTED IN CAVITIES, AFTER CURING FILL BACK END OF PLUG WITH HYSOL 4210 (REF. AMP*1-859234-7)

1. PLUG ASS'Y. WILL WITHSTAND WITHOUT BREAK DOWN 27 KVDC PIN TO PIN & 27 KVDC PIN TO GRD. WHEN MATED WITH RECEPTACLE 859527-1.
2. MARKING TO BE WHITE
3. #16 GA. PINS GOLD PLATED PER MIL-G-45204 TYPE II .000050 MIN. THK.
4. PLUG & PINS TO BE SHIPPED SEPARATELY.
5. TYPE II PINS TO ACCEPT ONE (1) #22 OR #24 OR #20 AWG STRANDED WIRE
6. TYPE II PINS TO ACCEPT ONE (1) #16 AWG OR (1) 18 AWG STRANDED WIRE
7. TO REMOVE PINS USE EXTRACTION TOOL #861751-1
8. TYPE II PINS TO ACCEPT ONE (1) 14-AWG STANDARD WIRE.
9. PART NO. OBSOLETE

AMP PART NO.	WIRE SIZE RANGE	HAND TOOL	COLOR CODING
860267-1	20,22,24	45099	YES
860267-2	16,18	45098	YES
860267-3	14	45098	YES
860267-4	20,22,24	45099	NO
860267-5	16,18	45098	NO
860267-6/9	14	45098	NO

7
8 OBS
9

UNLESS OTHERWISE SPECIFIED DIMENSIONS ARE IN INCHES. TOLERANCES ON: DECIMALS .00 ± .04 .000 ± .015		CONTRACT NO OR <i>See Specimen</i> 2114184		AMP AMP INCORPORATED Harrisburg, Pa. 17105	
MATERIAL		CHK		NAME PLUG ASS'Y, H.V. 6 PIN LGH	
FINISH BLACK		APPD <i>J.W. Jones</i> 8-21-84		DRAWING NO 860267	
		OSGN APPD		SIZE C	
		OTHER APPD		FSCM NO 00779	
				SCALE NTS	
				SHEET 1/1	

CUSTOMER DRAWING