



Chipsmall Limited consists of a professional team with an average of over 10 year of expertise in the distribution of electronic components. Based in Hongkong, we have already established firm and mutual-benefit business relationships with customers from,Europe,America and south Asia,supplying obsolete and hard-to-find components to meet their specific needs.

With the principle of “Quality Parts,Customers Priority,Honest Operation,and Considerate Service”,our business mainly focus on the distribution of electronic components. Line cards we deal with include Microchip,ALPS,ROHM,Xilinx,Pulse,ON,Everlight and Freescale. Main products comprise IC,Modules,Potentiometer,IC Socket,Relay,Connector.Our parts cover such applications as commercial,industrial, and automotives areas.

We are looking forward to setting up business relationship with you and hope to provide you with the best service and solution. Let us make a better world for our industry!



## Contact us

Tel: +86-755-8981 8866 Fax: +86-755-8427 6832

Email & Skype: info@chipsmall.com Web: www.chipsmall.com

Address: A1208, Overseas Decoration Building, #122 Zhenhua RD., Futian, Shenzhen, China

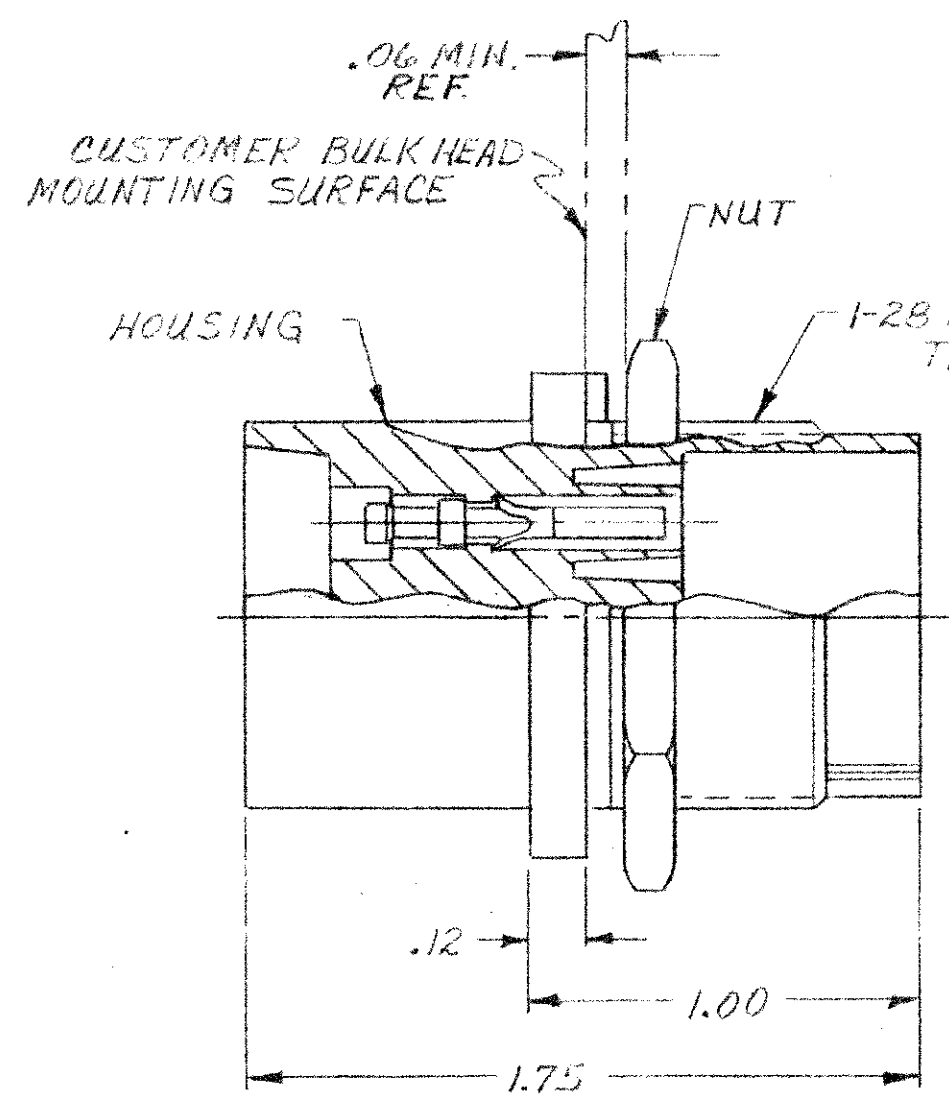


© 1972 BY AMP INCORPORATED. ALL RIGHTS RESERVED. AMP PRODUCTS COVERED BY PATENTS AND/OR PATENTS PENDING.

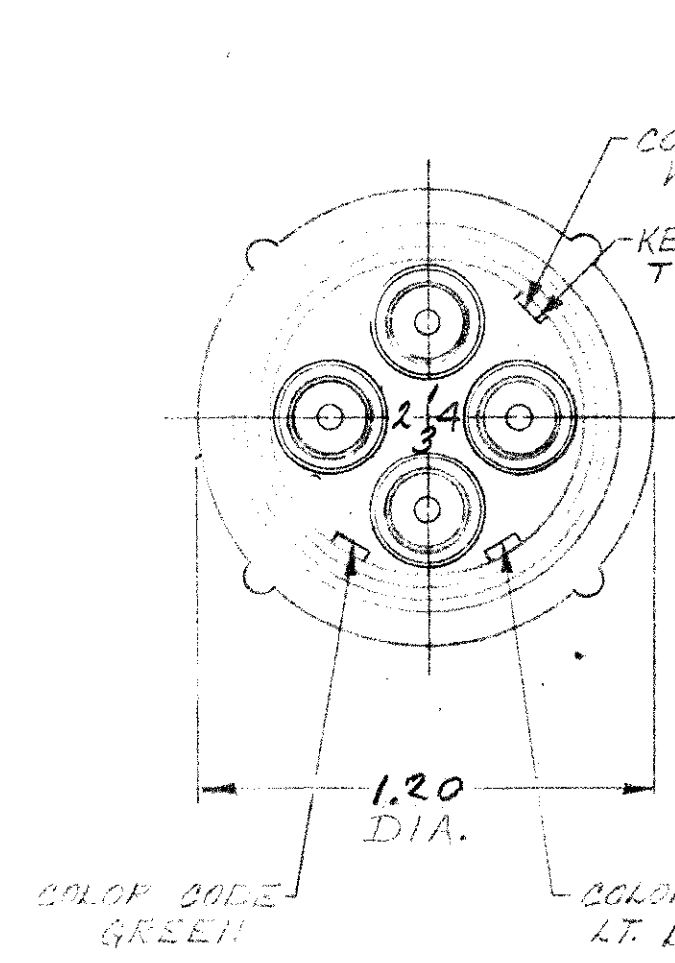
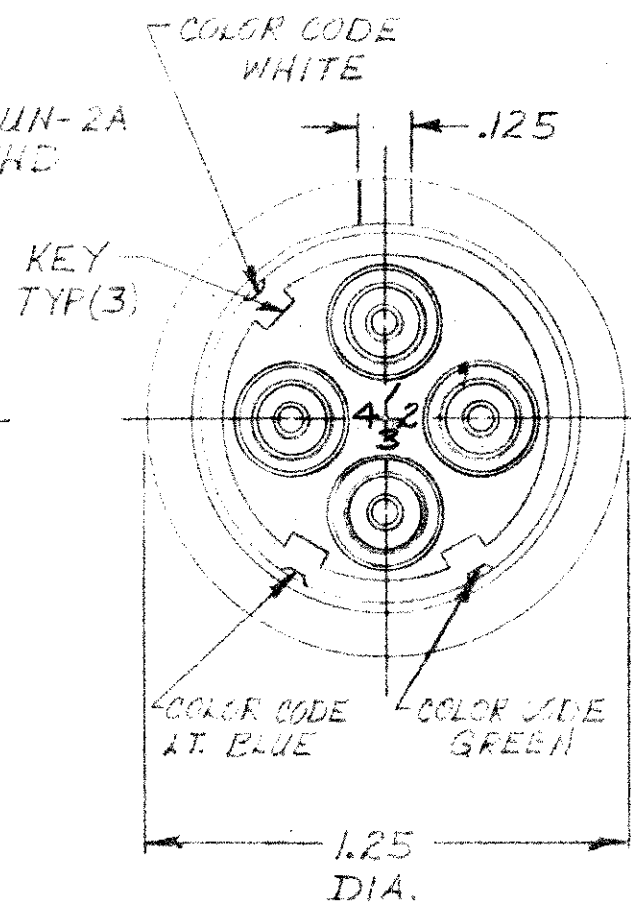
THIS PRODUCT DESIGNED AND BUILT BY AMP INCORPORATED. NO LICENSE TO USE THAT DESIGN IN MANUFACTURE, OR TO USE ANY ISSUED OR PENDING PATENTS WHICH ARE INVOLVED, IS IMPLIED.

REVISIONS					
ZONE	LTR	DESCRIPTION	DATE	APPROVED	
A		REV. NOTES ADDED -2	11/18/74	M.S.	
B		ADDED -3	2-26-76	M.S.	
C		ADDED -4, -5, -6	6-30-77	M.S.	
D		OBSOLETE -3 THRU -6	11-5-86	R.S.	
E		REV PER OH14-120-04	10-04	CT	

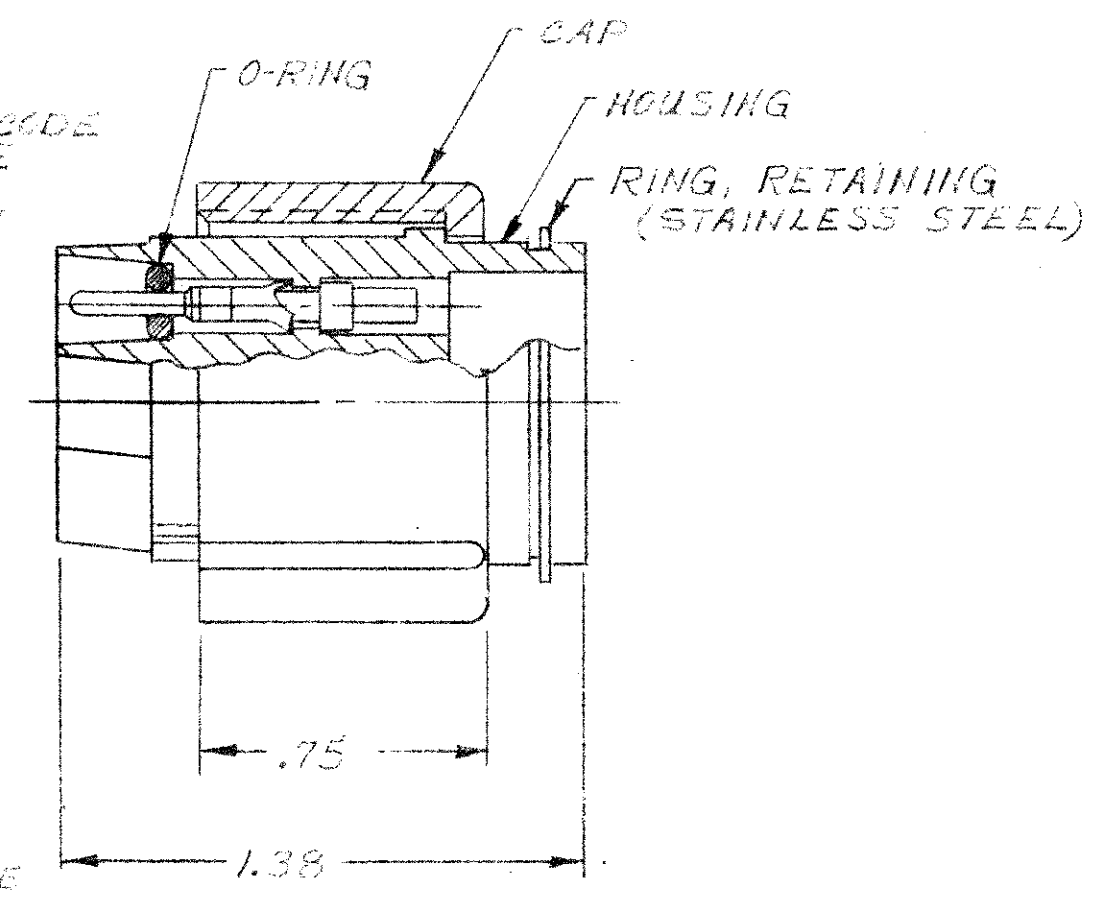
Unpublished copy not to be reproduced without written permission of AMP INCORPORATED.



RECEPTACLE



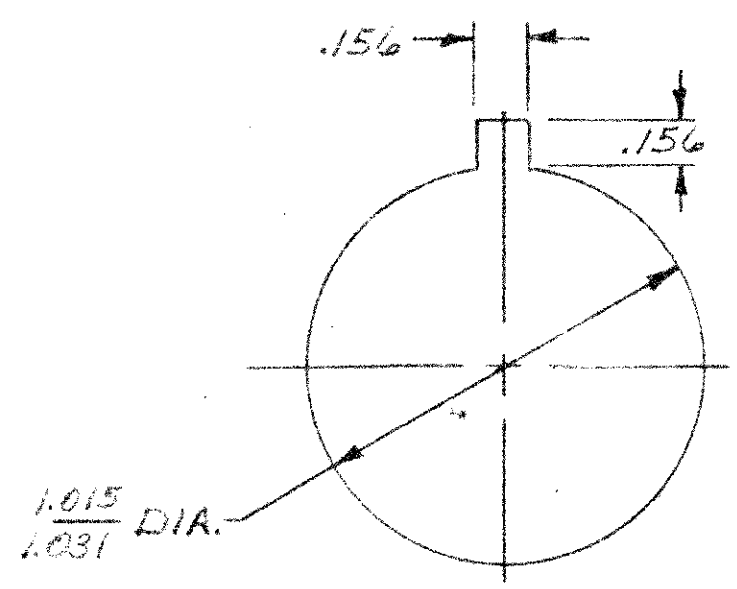
PLUG



AMP P/N	RECEPTACLE	PLUG	WIRE SIZE RANGE	HAND TOOL	COLOR CODING
860286-1	859526-1	860265-1	20, 22, 24	45099	YES
860286-2	859526-2	860265-2	18, 16	45098	YES
860286-3	859526-3	860265-3	14	45098	YES
860286-4	859526-4	860265-4	20, 22, 24	45099	NO
860286-5	859526-5	860265-5	16, 18	45098	NO
860286-6	859526-6	860265-6	14	45098	NO

OBSOLETE

NOTE:  
 1. PINS & SOCKETS SUPPLIED SEPARATELY IN PLASTIC BAG.  
 2. TYPE II PINS & SOCKETS TO ACCEPT ONE (1) 20 AWG, (1) 22 AWG, OR (1) 24 AWG STRANDED WIRE.  
 3. TYPE II PINS & SOCKETS TO ACCEPT ONE (1) 16 AWG, OR (1) 18 AWG STRANDED WIRE.  
 4. TYPE II PINS & SOCKETS TO ACCEPT ONE (1) 14 AWG STRANDED WIRE.



RECOMMENDED PANEL CUTOUT

QTY REQD	QTY REQD	ITEM NO.	DWG SIZE	PART OR IDENTIFYING NO.	NOMENCLATURE OR DESCRIPTION	SYMBOL
-2	-1					

UNLESS OTHERWISE SPECIFIED: DIMENSIONS ARE IN INCHES TOLERANCES .00 ±                      ANGLES = .000 ±		CONTRACT NO. DR <i>L. Gieb 6-1-72</i> CHK		AMP INCORPORATED CAPITRON DIVISION ELIZABETHTOWN, PENNSYLVANIA	
MATERIAL: MOLDED PLASTIC		APPD <i>M. Anderson 6/1/72</i> APPD		NAME 4 PIN PLUG & RECEPTACLE KIT	
FINISH: BLACK		DSGN APPD		SIZE C	CODE IDENT NO. 00779
NEXT ASSY		OTHER APPD		NUMBER 860286	REV E
QTY REQD	APPLICATION	SCALE 1/1	WT	SHEET 1 OF 1	