



Chipsmall Limited consists of a professional team with an average of over 10 year of expertise in the distribution of electronic components. Based in Hongkong, we have already established firm and mutual-benefit business relationships with customers from,Europe,America and south Asia,supplying obsolete and hard-to-find components to meet their specific needs.

With the principle of “Quality Parts,Customers Priority,Honest Operation,and Considerate Service”,our business mainly focus on the distribution of electronic components. Line cards we deal with include Microchip,ALPS,ROHM,Xilinx,Pulse,ON,Everlight and Freescale. Main products comprise IC,Modules,Potentiometer,IC Socket,Relay,Connector.Our parts cover such applications as commercial,industrial, and automotives areas.

We are looking forward to setting up business relationship with you and hope to provide you with the best service and solution. Let us make a better world for our industry!



Contact us

Tel: +86-755-8981 8866 Fax: +86-755-8427 6832

Email & Skype: info@chipsmall.com Web: www.chipsmall.com

Address: A1208, Overseas Decoration Building, #122 Zhenhua RD., Futian, Shenzhen, China

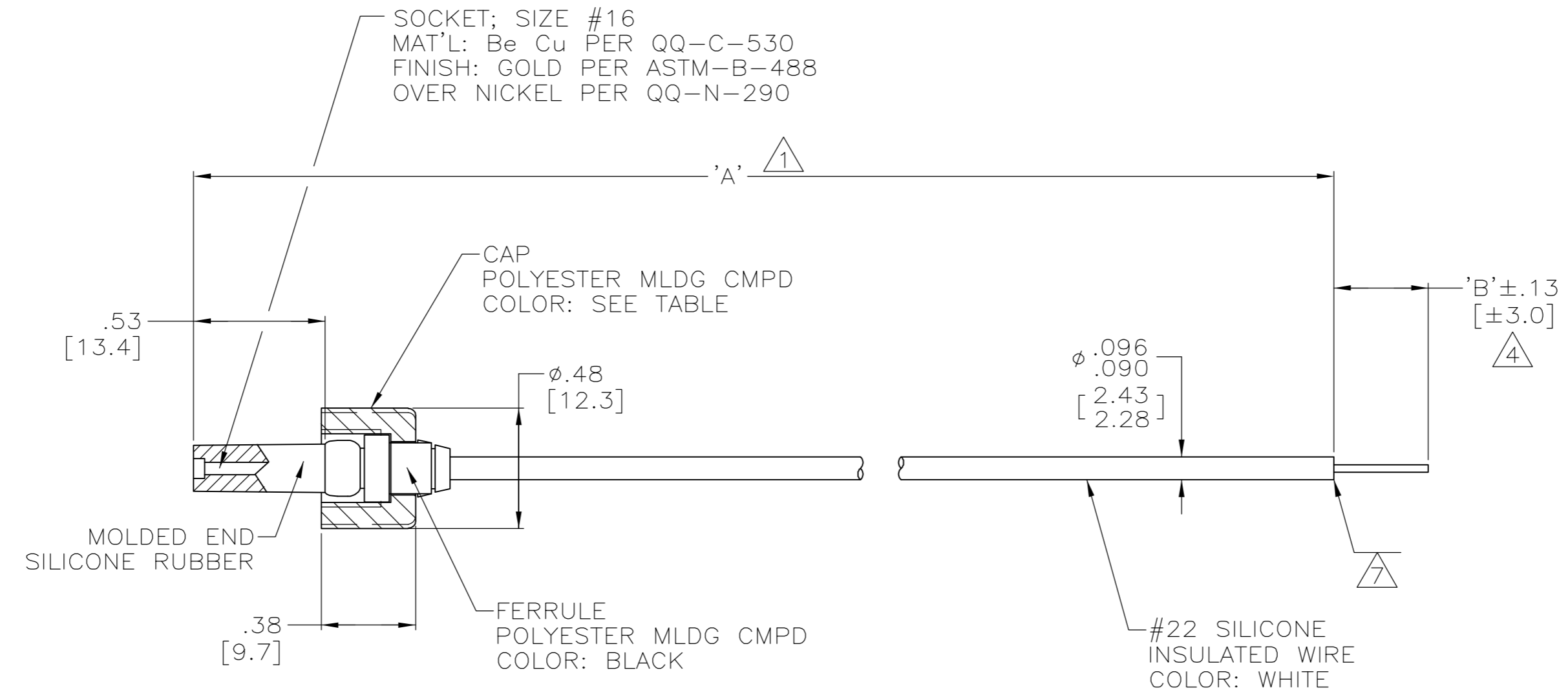


THIS DRAWING IS UNPUBLISHED. RELEASED FOR PUBLICATION - .N/A .
 © COPYRIGHT N/A BY TYCO ELECTRONICS CORPORATION. ALL RIGHTS RESERVED.

LOC	DIST	REVISIONS					
DF	S0	P	LTR	DESCRIPTION	DATE	DWN	APVD
		W		REV PER ECO-05-002582	06-05	AA	DE

PART NO.	'A' $\triangle 1$	'B'	CAP COLOR	REMARKS
860424-1	12.00 [304.80]	.38 [9.7]	GREEN	$\triangle 4$
860424-2	12.00 [304.80]	.38 [9.7]	RED	OBSOLETE
860424-3	8.00 [203.20]	.38 [9.7]	GREEN	$\triangle 4$
860424-4	10.00 [254.00]	.38 [9.7]	GREEN	$\triangle 4$
860424-5	10.00 [254.00]	.38 [9.7]	BLACK	OBSOLETE
860424-6	4.75 [120.65]	.25 [6.3]	GREEN	OBSOLETE
860424-7	9.50 [241.30]	.38 [9.7]	RED	OBSOLETE
860424-8	12.00 [304.80]	.38 [9.7]	GREEN	OBSOLETE
860424-9	5.50 [139.70]	-	GREEN	OBSOLETE
1-860424-0	11.25 [285.75]	-	GREEN	OBSOLETE
1-860424-1	10.50 [266.70]	-	GREEN	OBSOLETE
1-860424-2	15.50 [393.70]	.38 [9.7]	GREEN	OBSOLETE
5-860424-4	10.00 [254.00]	.38 [9.7]	GREEN	$\triangle 4$

- $\triangle 1$ TOLERANCE OF LEAD LENGTH:
UP TO 24 INCHES [609.6] = ± 1.2 [± 3.0]
24 INCHES [609.6] & UP = $\pm 1\%$
- $\triangle 2$ AMP INFORMATION MARKED PER MIL-STD-130.
- 3. TO MATE WITH AMP LGH-1/2 RECEPTACLE WITH .53 [13.5] BARREL DEPTH.
- $\triangle 4$ PIGTAIL SOLDER DIPPED.
- 5. OPERATING VOLTAGE: 10 KVDC AT 0 TO 70,000 FEET, -55°C TO 125°C.
- $\triangle 6$ LEAD MARKING (PER TABLE) MARKED PER MIL-STD-130; .08 CHARS.
- $\triangle 7$ INSULATION CUT TO LENGTH, BUT NOT REMOVED.



THIS DRAWING IS A CONTROLLED DOCUMENT.		DWN R.J. RINEHART 15-MAR-90	Tyco Electronics Corporation Harrisburg, Pa 17105-3608																			
DIMENSIONS: INCHES		CHK D. EABY 12-NOV-91																				
TOLERANCES UNLESS OTHERWISE SPECIFIED:		APVD D. EABY 12-NOV-91	NAME LEAD ASSEMBLY, POSITIVE STOP LGH-1/2, SPECIAL SILICONE WIRE (.53 MOLDED END)																			
<table border="0"> <tr><td>0 PLC</td><td>\pm</td><td>-</td></tr> <tr><td>1 PLC</td><td>\pm</td><td>-</td></tr> <tr><td>2 PLC</td><td>\pm</td><td>.01 [0.3]</td></tr> <tr><td>3 PLC</td><td>\pm</td><td>-</td></tr> <tr><td>4 PLC</td><td>\pm</td><td>-</td></tr> <tr><td>ANGLES</td><td>\pm</td><td>-</td></tr> </table>		0 PLC	\pm	-	1 PLC	\pm	-	2 PLC	\pm	.01 [0.3]	3 PLC	\pm	-	4 PLC	\pm	-	ANGLES	\pm	-	PRODUCT SPEC -	SIZE A2	CAGE CODE 00779
0 PLC	\pm	-																				
1 PLC	\pm	-																				
2 PLC	\pm	.01 [0.3]																				
3 PLC	\pm	-																				
4 PLC	\pm	-																				
ANGLES	\pm	-																				
MATERIAL SEE CALLOUTS		FINISH SEE CALLOUTS	WEIGHT -	DRAWING NO C=860424																		
CUSTOMER DRAWING			SCALE 2:1	SHEET 1 OF 1																		

860424