



Chipsmall Limited consists of a professional team with an average of over 10 year of expertise in the distribution of electronic components. Based in Hongkong, we have already established firm and mutual-benefit business relationships with customers from,Europe,America and south Asia,supplying obsolete and hard-to-find components to meet their specific needs.

With the principle of “Quality Parts,Customers Priority,Honest Operation,and Considerate Service”,our business mainly focus on the distribution of electronic components. Line cards we deal with include Microchip,ALPS,ROHM,Xilinx,Pulse,ON,Everlight and Freescale. Main products comprise IC,Modules,Potentiometer,IC Socket,Relay,Connector.Our parts cover such applications as commercial,industrial, and automotives areas.

We are looking forward to setting up business relationship with you and hope to provide you with the best service and solution. Let us make a better world for our industry!



Contact us

Tel: +86-755-8981 8866 Fax: +86-755-8427 6832

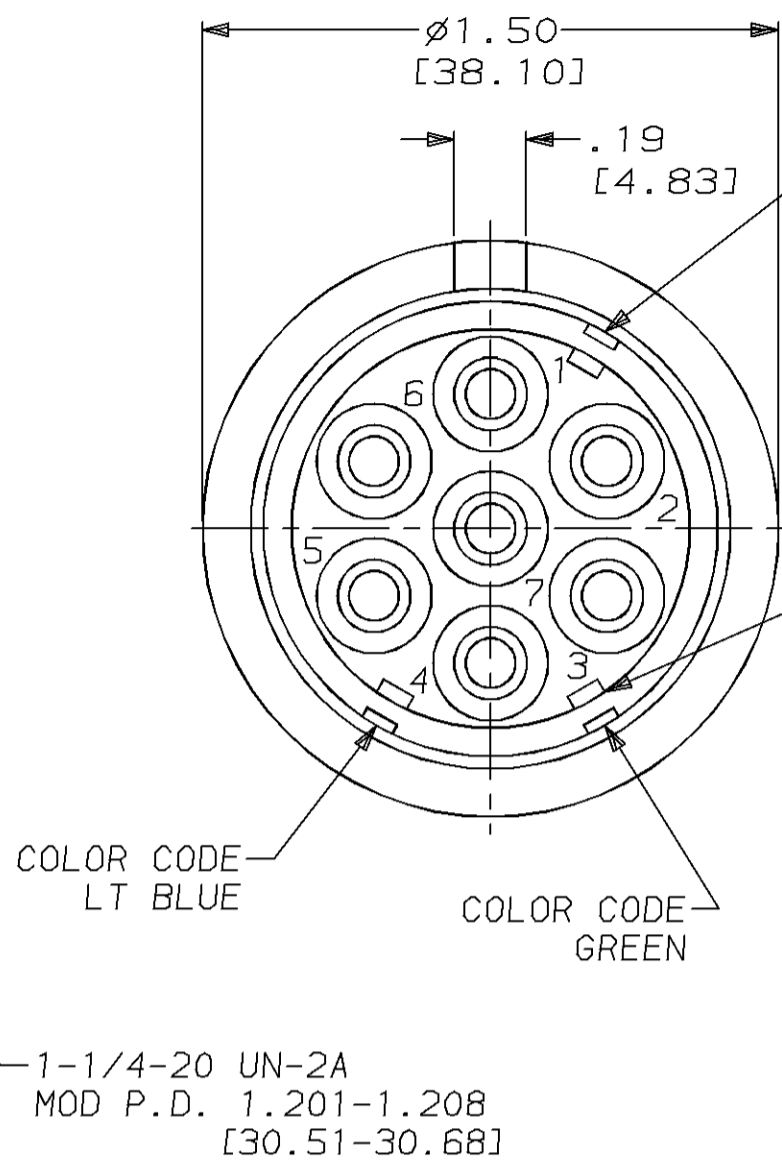
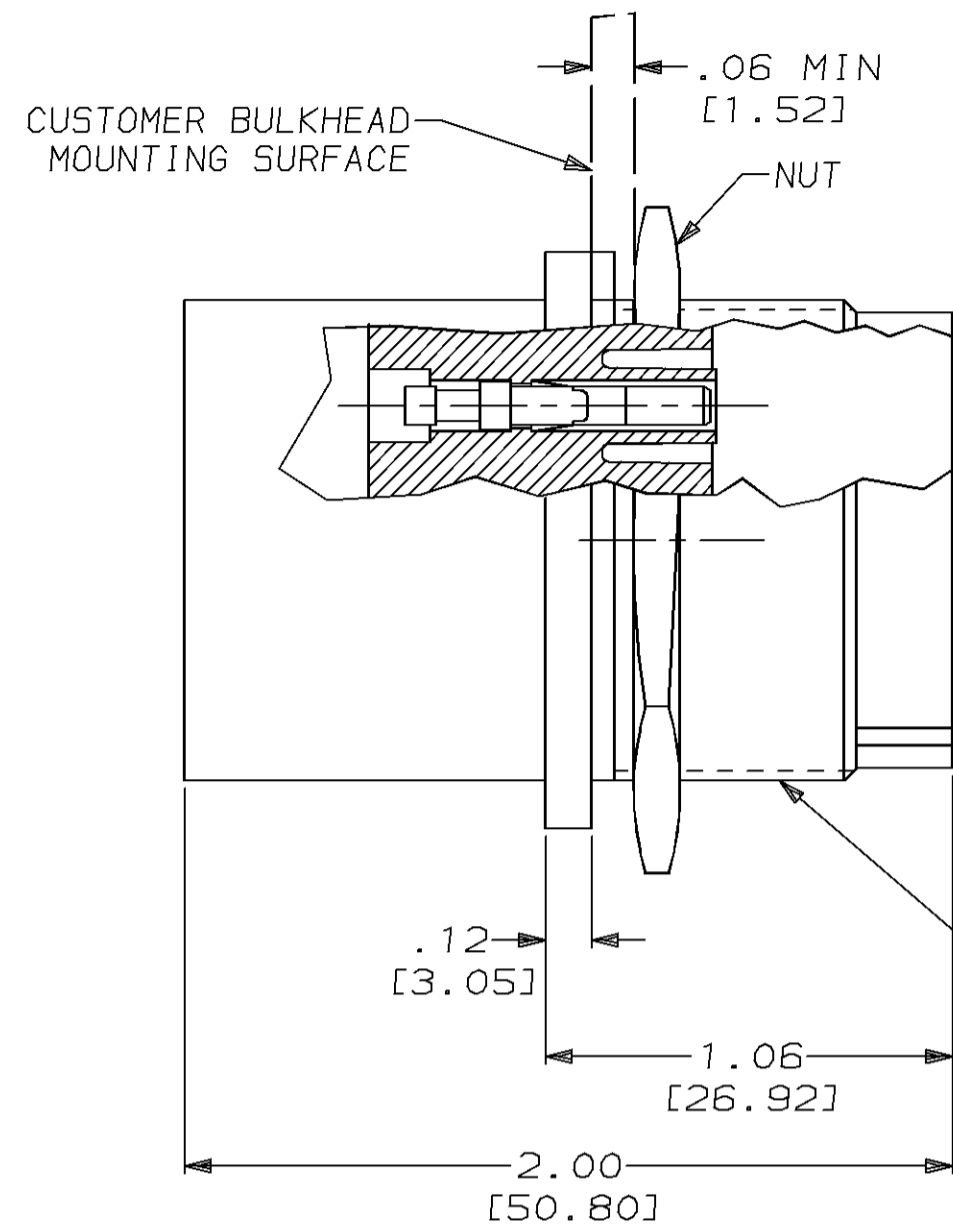
Email & Skype: info@chipsmall.com Web: www.chipsmall.com

Address: A1208, Overseas Decoration Building, #122 Zhenhua RD., Futian, Shenzhen, China

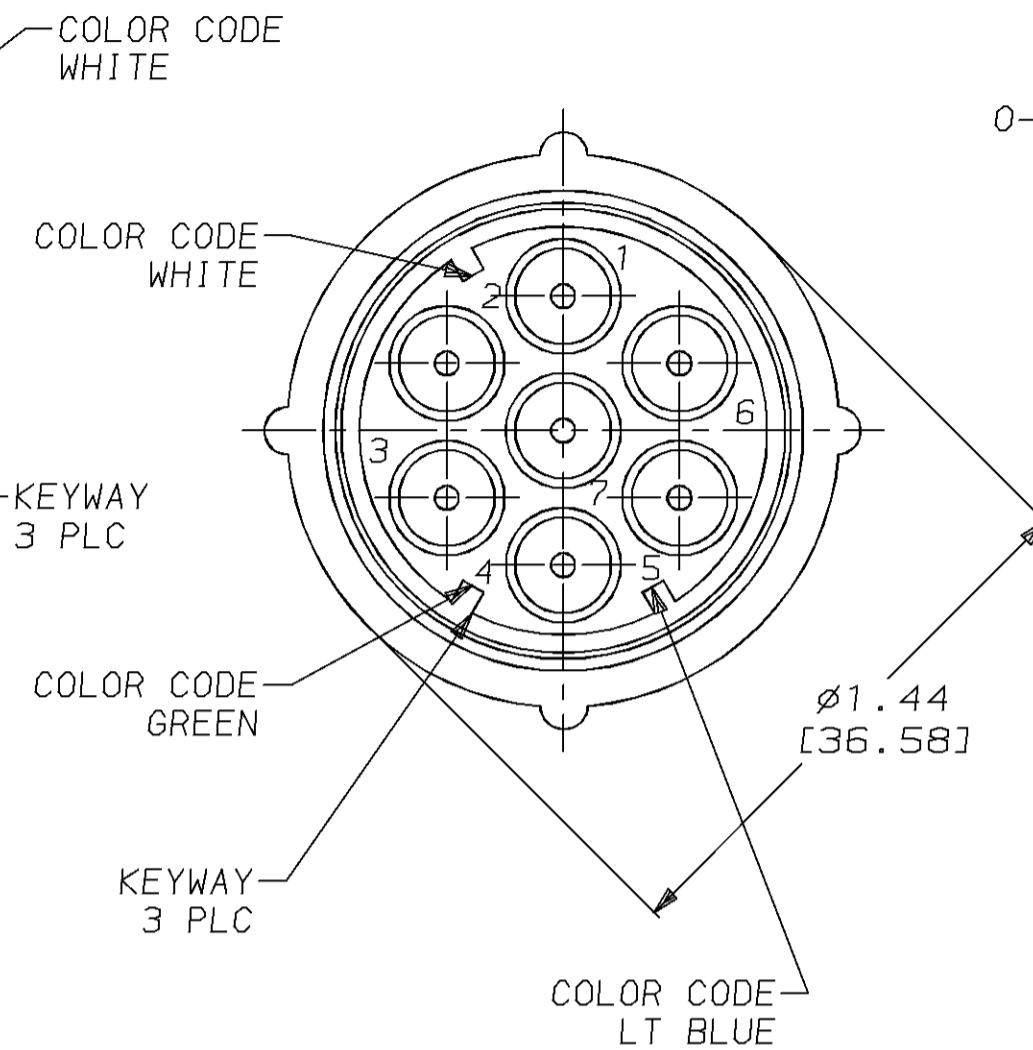


THIS DRAWING IS UNPUBLISHED. RELEASED FOR PUBLICATION
 BY AMP INCORPORATED. ALL RIGHTS RESERVED.

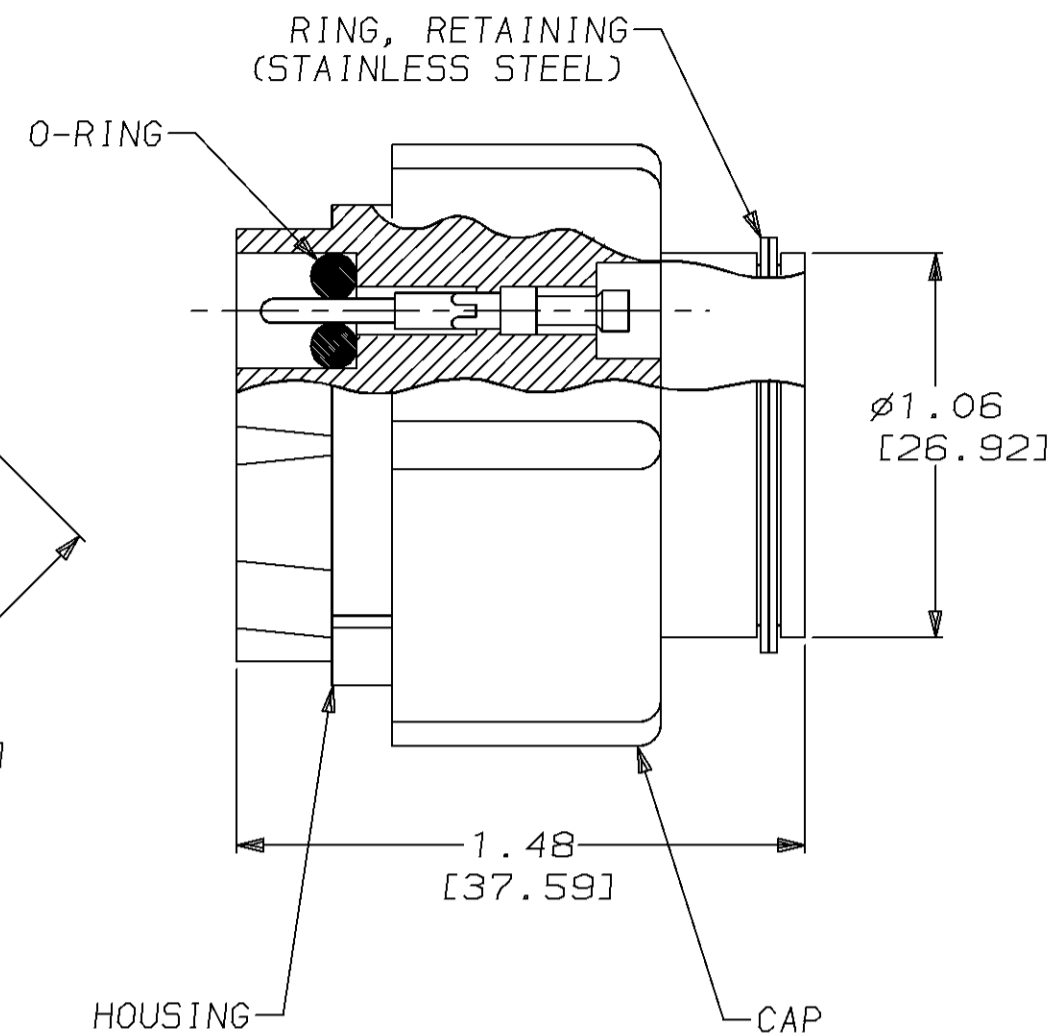
LOC	DIST	REVISIONS			
P	LTR	DESCRIPTION	DATE	DWN	APVD
DF	SO				
		K REV PER 0600-2174-94	04-19-95	TT	DE



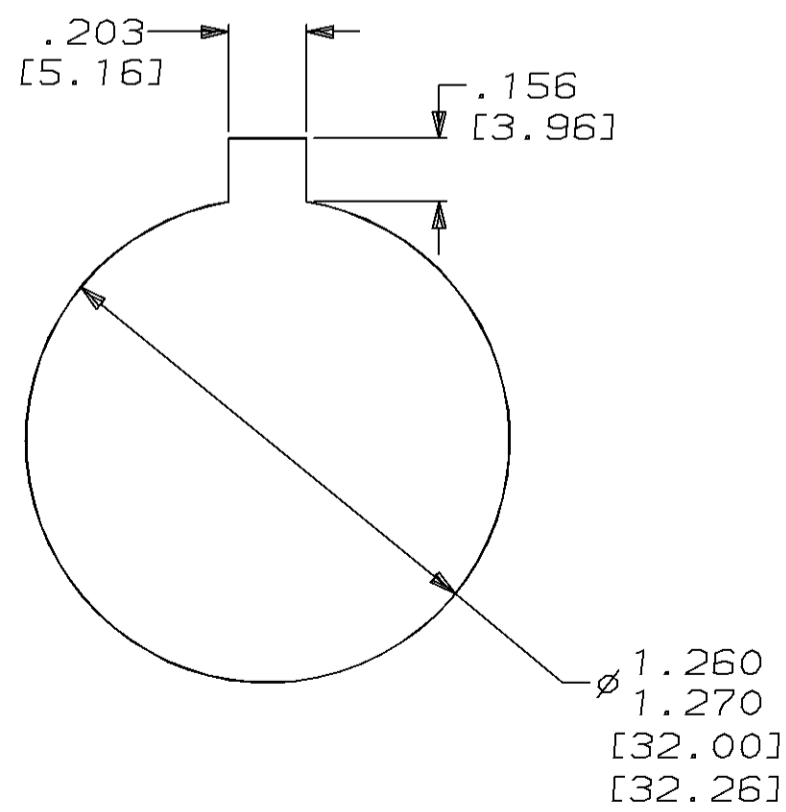
RECEPTACLE



PLUG



- 1. MARK PER AMP SPEC 118-3600 (WHITE) #7254.
- 2. TYPE II PINS & SOCKETS, WIRE RANGE #20 AWG -#24 AWG.
- 3. TYPE II PINS & SOCKETS, WIRE RANGE #16 AWG -#18 AWG.
- 4. TYPE II PINS & SOCKETS, WIRE RANGE #14 AWG.



RECOMMENDED PANEL CUTOUT

REMARKS	COLOR CODE	HAND TOOL	WIRE SIZE RANGE	PLUG	RECEPTACLE	PART NUMBER	
OBSOLETE	4	NO	45098	14	861648-9	861647-9	860825-8
	3	NO	45098	16, 18	861648-8	861647-8	860825-7
	2	NO	45099	20, 22, 24	861648-7	861647-7	860825-6
OBSOLETE	4	YES	45098	14	861648-5	861647-5	860825-5
OBSOLETE	-	YES	5 COAX 69656	20, 24 & COAX	861648-4	861647-4	860825-4
OBSOLETE	-	YES	1 COAX 69656	20, 24 & COAX	861648-3	861647-3	860825-3
	3	YES	45098	16, 18	861648-2	861647-2	860825-2
	2	YES	45099	20, 22, 24	861648-1	861647-1	860825-1

THIS DRAWING IS A CONTROLLED DOCUMENT FOR AMP INCORPORATED. IF IT IS SUBJECT TO CHANGE AND THE CONTROLLING ENGINEERING ORGANIZATION SHOULD BE CONTACTED FOR THE LATEST REVISION.

DWN	T. THOMPSON	03-08-95	AMP Incorporated Harrisburg, PA 17105-3608
CHK	D. EABY	04-19-95	
APVD	D. EABY	04-19-95	
PRODUCT SPEC			
APPLICATION SPEC			NAME
WEIGHT			7 PIN PLUG & RECEPTACLE KIT LGH
CUSTOMER DRAWING			SIZE
			A2
			CAGE CODE
			00779
			DRAWING NO
			C-860825
			SCALE
			2:1
			SHEET
			1 OF 1
			REV
			K

860825