



Chipsmall Limited consists of a professional team with an average of over 10 year of expertise in the distribution of electronic components. Based in Hongkong, we have already established firm and mutual-benefit business relationships with customers from,Europe,America and south Asia,supplying obsolete and hard-to-find components to meet their specific needs.

With the principle of “Quality Parts,Customers Priority,Honest Operation,and Considerate Service”,our business mainly focus on the distribution of electronic components. Line cards we deal with include Microchip,ALPS,ROHM,Xilinx,Pulse,ON,Everlight and Freescale. Main products comprise IC,Modules,Potentiometer,IC Socket,Relay,Connector.Our parts cover such applications as commercial,industrial, and automotives areas.

We are looking forward to setting up business relationship with you and hope to provide you with the best service and solution. Let us make a better world for our industry!



## Contact us

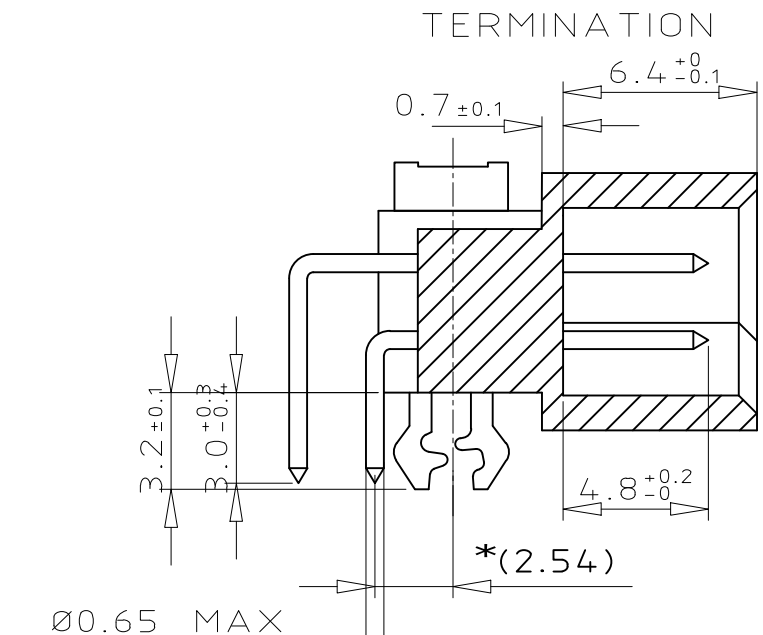
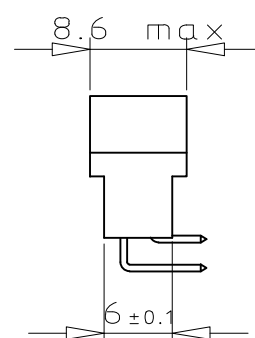
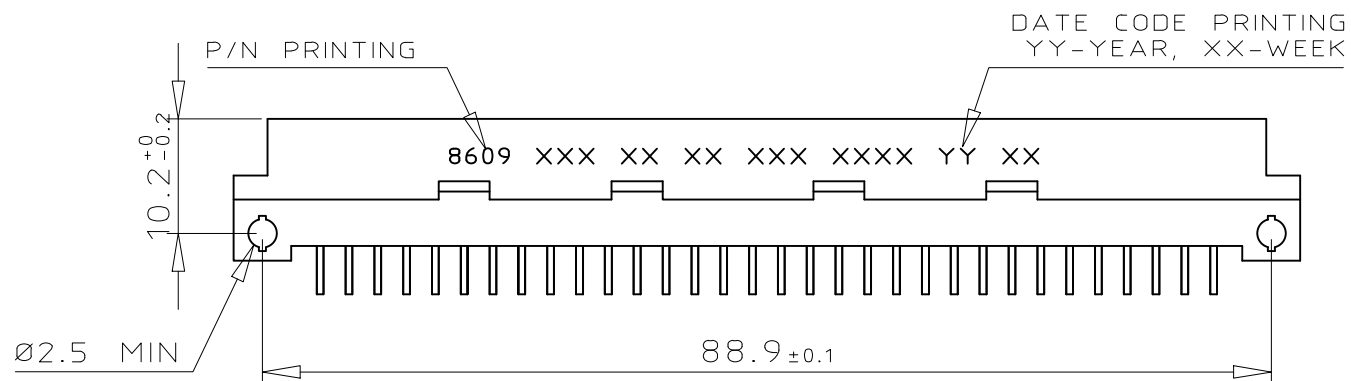
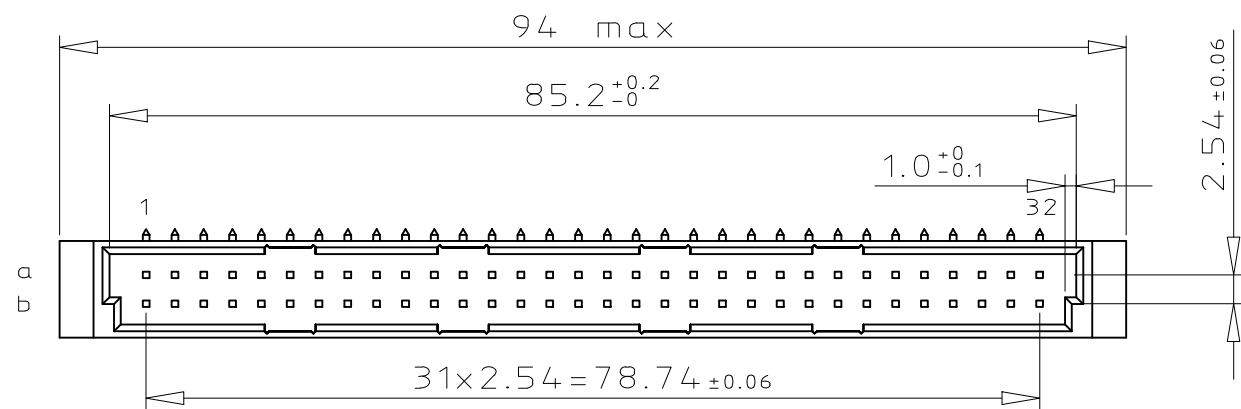
Tel: +86-755-8981 8866 Fax: +86-755-8427 6832

Email & Skype: info@chipsmall.com Web: www.chipsmall.com

Address: A1208, Overseas Decoration Building, #122 Zhenhua RD., Futian, Shenzhen, China



# DIMENSIONS

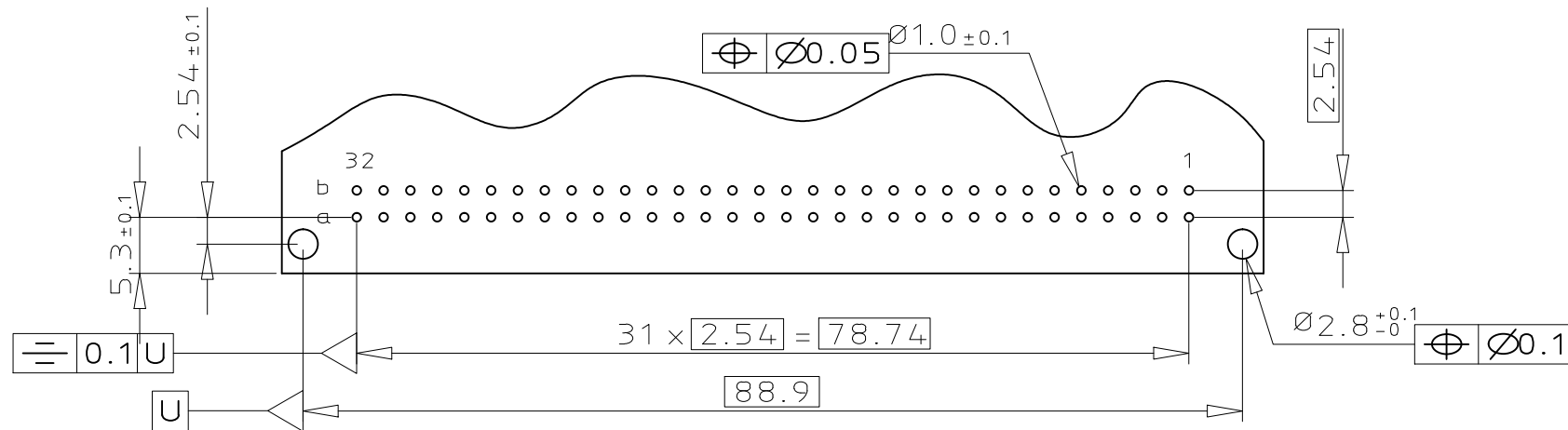


\*Foot print dimension (2.54) will be controlled by attribute grid suitability based on the recommended PCB layout.

## ORDERING INFORMATION

|                                |      |   |    |   |   |    |   |   |   |     |
|--------------------------------|------|---|----|---|---|----|---|---|---|-----|
| SERIES                         | 8609 | 2 | 64 | 5 | 1 | 13 | 7 | 4 | 5 | ELF |
| ROWS FITTED WITH CONTACTS      |      |   |    |   |   |    |   |   |   |     |
| ROW a                          | -    |   | -  |   | - |    | - |   | - |     |
| ROW a b                        | -    |   | -  |   | - |    | - |   | - |     |
| NO. OF CONTACTS                |      |   |    |   |   |    |   |   |   |     |
| TYPE OF INSULATOR              |      |   |    |   |   |    |   |   |   |     |
| 2 ROW MALE INSULATOR           | 5    |   |    |   |   |    |   |   |   |     |
| METHOD OF MOUNTING             |      |   |    |   |   |    |   |   |   |     |
| STANDARD MOUNTING - STYLE B    | 1    |   |    |   |   |    |   |   |   |     |
| TERMINATION                    |      |   |    |   |   |    |   |   |   |     |
| ANGLED SPILL                   | 13   |   |    |   |   |    |   |   |   |     |
| OPTIONS                        |      |   |    |   |   |    |   |   |   |     |
| NO OPTION                      | 7    |   |    |   |   |    |   |   |   |     |
| WITH HARPOONS                  | H    |   |    |   |   |    |   |   |   |     |
| PERFORMANCE CLASS              |      |   |    |   |   |    |   |   |   |     |
| DIN 41612 CLASS 3              | 4    |   |    |   |   |    |   |   |   |     |
| DIN 41612 CLASS 2              | 5    |   |    |   |   |    |   |   |   |     |
| DIN 41612 CLASS 1              | 6    |   |    |   |   |    |   |   |   |     |
| AS PER MIL C 55302 / JSS 50808 | 8    |   |    |   |   |    |   |   |   |     |
| PITCH PER ROW                  |      |   |    |   |   |    |   |   |   |     |
| 2.54 mm                        | 5    |   |    |   |   |    |   |   |   |     |
| LEAD FREE VERSION              | ELF  |   |    |   |   |    |   |   |   |     |

## PCB LAYOUT



GENERAL CHARACTERISTICS & RoHS INFO

REFER DRAWING C-8609-0000A

|                      |             |                  |            |                                |
|----------------------|-------------|------------------|------------|--------------------------------|
| mat'l. code          | surface     | tolerance        | projection | product family                 |
| SEE DWG C-8609-0000A | ISO 1302 ✓  | ISO 406 ISO 1101 |            | 8609                           |
| ltr                  | ecn no      | dr               | date       | title                          |
| A                    | I04-0063    | MINI             | 2004-09-17 | DIN STANDARD HEADER            |
| B                    | I05-0089    | MINI             | 2005-05-19 | ANGLED SPILL DIN 41612 STYLE B |
| C                    | I06-0061    | MINI             | 2006-05-31 |                                |
| D                    | I06-0164    | MINI             | 2006-08-31 | dwg no                         |
| E                    | I08-0146    | KR               | 2008-10-21 | sheet 1 of 1                   |
| F                    | ELX-I-14289 | MJA              | 2013-03-19 | size                           |
|                      |             |                  |            | A3                             |
|                      |             |                  |            | type Product Customer Drawing  |
| sheet index          | revision    | F                |            |                                |
|                      | sheet       | 1                |            |                                |