



Chipsmall Limited consists of a professional team with an average of over 10 year of expertise in the distribution of electronic components. Based in Hongkong, we have already established firm and mutual-benefit business relationships with customers from,Europe,America and south Asia,supplying obsolete and hard-to-find components to meet their specific needs.

With the principle of “Quality Parts,Customers Priority,Honest Operation,and Considerate Service”,our business mainly focus on the distribution of electronic components. Line cards we deal with include Microchip,ALPS,ROHM,Xilinx,Pulse,ON,Everlight and Freescale. Main products comprise IC,Modules,Potentiometer,IC Socket,Relay,Connector.Our parts cover such applications as commercial,industrial, and automotives areas.

We are looking forward to setting up business relationship with you and hope to provide you with the best service and solution. Let us make a better world for our industry!



## Contact us

Tel: +86-755-8981 8866 Fax: +86-755-8427 6832

Email & Skype: info@chipsmall.com Web: www.chipsmall.com

Address: A1208, Overseas Decoration Building, #122 Zhenhua RD., Futian, Shenzhen, China



TECHNICAL SPECIFICATION

HOUSING MATERIAL : THERMOPLASTIC POLYESTER UL 94 V-0, GREY  
 HOUSING CAN WITHSTAND EXPOSURE TO LEAD FREE WAVE SOLDERING TEMPERATURE OF 260-265°C FOR STRAIGHT CONNECTORS AS IT IS IN CLASSICAL LEAD WAVE SOLDERING AT 235-250°C

CONTACT MATERIAL : COPPER ALLOY

CONTACT PLATING : GOLD / GXT™ OVER NICKEL

ACTIVE ZONE : GOLD / GXT™ OVER NICKEL

TERMINATION ZONE : GOLD / GXT™ OVER NICKEL

LEAD FREE VERSION : TIN (PURE MATTE) OVER Ni

**ELECTRICAL DATA**

CURRENT RATING AT 20°C : 1.5 A

CURRENT (I MAX) : 2 A

TEMPERATURE RANGE : -55°C/ +125°C

CONTACT RESISTANCE : ≤ 20mΩ

INSULATION RESISTANCE : ≥ 10<sup>8</sup> MΩ

TEST VOLTAGE (rms) : 1000V

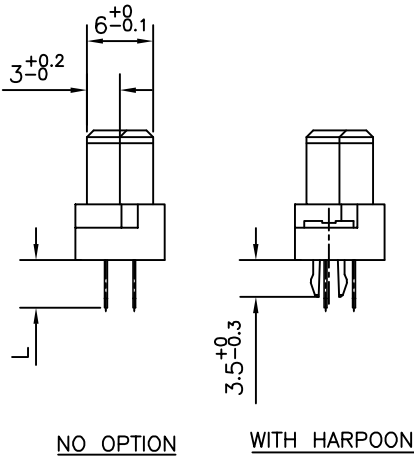
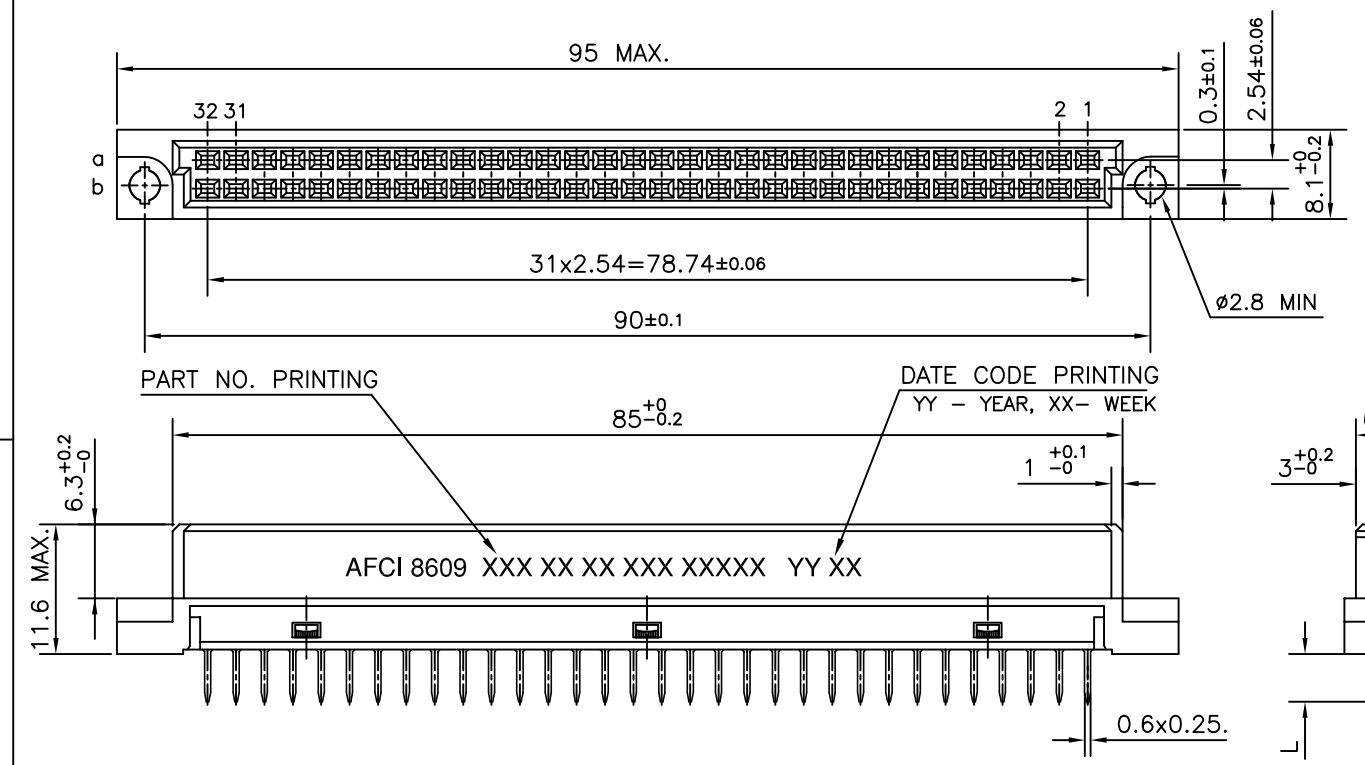
**MECHANICAL DATA**

INSERTION FORCE PER CONTACT : ≤ 0.94N

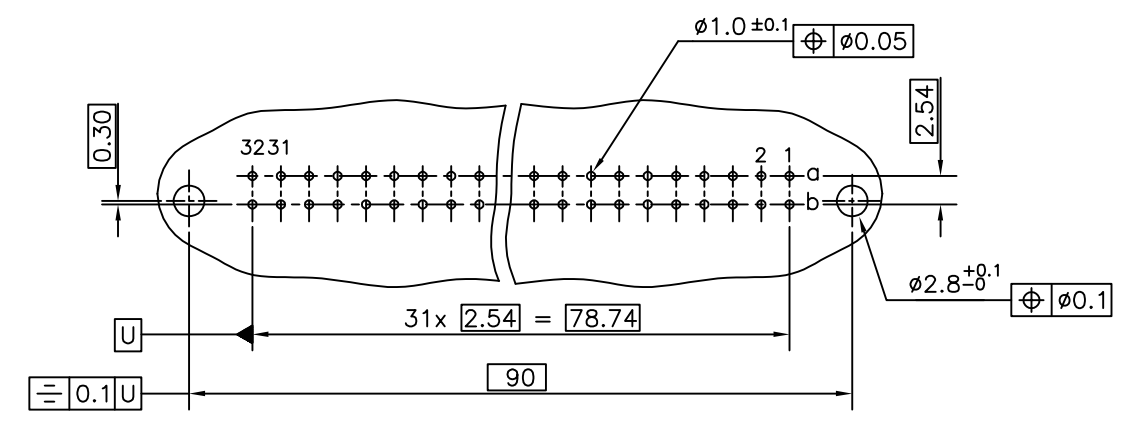
EXTRACTION FORCE PER CONTACT : ≥ 0.15N

REFERENCE SPECIFICATIONS : DIN 41612 / IEC 603-2

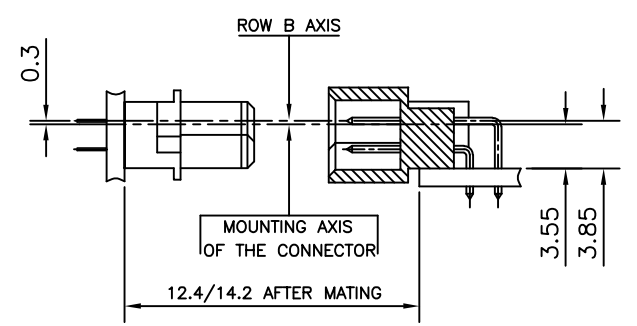
SERIES	8609	2	64	6	1	14	7	5	5	V1LF
ROWS FITTED WITH CONTACTS										
Rows a b -										
Rows a -										
NUMBER OF CONTACTS										
TYPE OF INSULATOR										
2 ROW FEMALE INSULATOR	6									
METHOD OF MOUNTING										
STANDARD MOUNTING - STYLE B	1									
TERMINATION										
LONG STRAIGHT SPILL (L - SEE TABLE)	14									
SHORT STRAIGHT SPILL (L - SEE TABLE)	24									
OPTIONS										
NO OPTION	7									
WITH HARPOONS	H									
PERFORMANCE CLASS										
4 - DIN 41612 CLASS 3	4									
5 - DIN 41612 CLASS 2	5									
6 - DIN 41612 CLASS 1	6									
8 - AS PER MIL C 55302/JSS 50808	8									
PITCH PER ROW										
2.54	5									
V1LF	LEAD FREE VERSION									



P.C.B DRILLING DETAILS



24	2.5
14	4.0
TERM. STYLE	L +0.7 / -0



NOTES:  
 1. THE "LF" PRODUCTS MEET EUROPEAN UNION DIRECTIVES AND OTHER COUNTRY REGULATIONS AS DESCRIBED IN GS-47-0004.  
 2. LEAD FREE OR RoHS DIRECTIVE LABELING TO BE PROVIDED AS PER GS-14-920 FOR LEAD FREE VERSION.  
 3. FOR GENERAL CHARACTERISTICS AND RoHS INFORMATION, REFER DRAWING C-8609-0000A.

mat'l. code	-	surface	ISO 1302 ✓	tolerance	ISO 406 ISO 1101	projection	product family	8609
ltr	ecn no	dr	date	tolerances unless otherwise specified		mm	title	
A	-	MJA	2012-10-10	angles linear	.0±.1		DIN STANDARD RECEPTACLE STRAIGHT SPILL DIN 41612 STYLE-B	
B	ELX-I-30159	MJA	2018-05-12	0'±1'		scale	-	
				dr	M JACOB	2012-05-22	dwg no	sheet 1 of 1
				enr	M JACOB	2012-05-22	size	
				chr	M JACOB	2018-05-12	A3	
				appd	BIJU K PAUL	2018-05-12	Amphenol FCI	type
sheet index	revision	B		Product Customer Drawing				
	sheet	1						