



Chipsmall Limited consists of a professional team with an average of over 10 year of expertise in the distribution of electronic components. Based in Hongkong, we have already established firm and mutual-benefit business relationships with customers from,Europe,America and south Asia,supplying obsolete and hard-to-find components to meet their specific needs.

With the principle of “Quality Parts,Customers Priority,Honest Operation,and Considerate Service”,our business mainly focus on the distribution of electronic components. Line cards we deal with include Microchip,ALPS,ROHM,Xilinx,Pulse,ON,Everlight and Freescale. Main products comprise IC,Modules,Potentiometer,IC Socket,Relay,Connector.Our parts cover such applications as commercial,industrial, and automotives areas.

We are looking forward to setting up business relationship with you and hope to provide you with the best service and solution. Let us make a better world for our industry!



Contact us

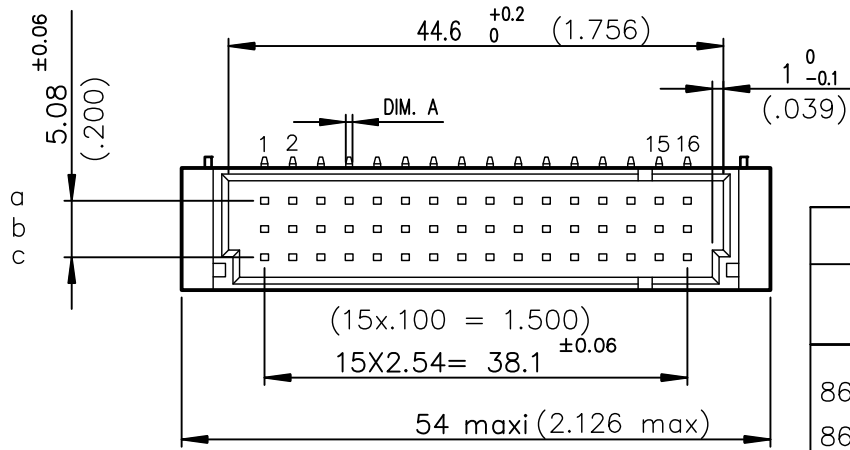
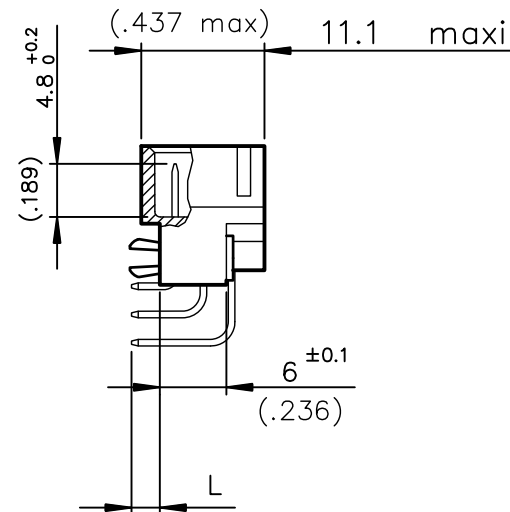
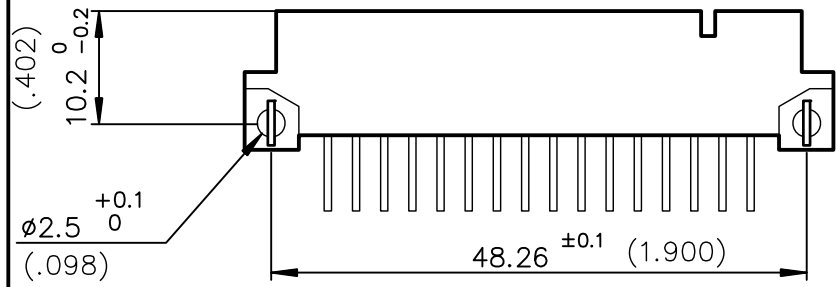
Tel: +86-755-8981 8866 Fax: +86-755-8427 6832

Email & Skype: info@chipsmall.com Web: www.chipsmall.com

Address: A1208, Overseas Decoration Building, #122 Zhenhua RD., Futian, Shenzhen, China



DIMENSIONS mm (inches)



TIN LEAD	LEAD FREE	
8609 348 73 13 755 000 E1	8609 348 73 13 755 E1 LF	Style C/2 header, 48 Position, solder to board, class 2
8609 348 73 13 765 000 E1	8609 348 73 13 765 E1 LF	Style C/2 header, 48 Position, solder to board, class 1
8609 348 73 13 H55 000 E1	8609 348 73 13 H55 E1 LF	Style C/2 header, 48 Position, solder to board, class 2 fixing clips
8609 432 73 13 755 000 E1	8609 432 73 13 755 E1 LF	Style C/2 header, 32 Position, solder to board, class 2
8609 432 73 13 H55 000 E1	8609 432 73 13 H55 E1 LF	Style C/2 header, 32 Position, solder to board, class 2 fixing clips
TIN LEAD	LEAD FREE	
8609 348 73 13 745 000 E1	8609 348 73 13 745 E1 LF	Style C/2 header, 48 Position, solder to board, class 3
8609 348 73 13 H45 000 E1	8609 348 73 13 H45 E1 LF	Style C/2 header, 48 Position, solder to board, class 3 fixing clips
8609 348 73 13 H65 000 E1	8609 348 73 13 H65 E1 LF	Style C/2 header, 48 Position, solder to board, class 1 fixing clips
8609 432 73 13 765 000 E1	8609 432 73 13 765 E1 LF	Style C/2 header, 32 Position, solder to board, class 1
8609 432 73 13 H65 000 E1	8609 432 73 13 H65 E1 LF	Style C/2 header, 32 Position, solder to board, class 1 fixing clips

Application specific part-numbers: _____ See sheet 2

Copyright AFCI. Amphenol FCI

European Views

www.fciconnect.com			surface ISO 1302 ✓	tolerance std ISO 406 ISO 1101	projection mm
TOLERANCES UNLESS OTHERWISE SPECIFIED					
Dr	ROUILLARD	1992/06/12	ANGULAR	0.X	±0.1
Eng	TARON	1992/06/12		LINEAR	0.XX
Chr	LEGARE	1992/06/12	0.XX ±2*	0.XXX	±0.1
Appr	LEGARE	1992/06/12	Product family		DIN 8609
Amphenol FCI			title		RIGHT ANGLE HEADER - STYLE C/2
			title		SOLDER TO BOARD
			catalog no		-
			dwg no		C-8609-0255-1
			Rev.		G
			CUSTOMER		sheet 1 of 1

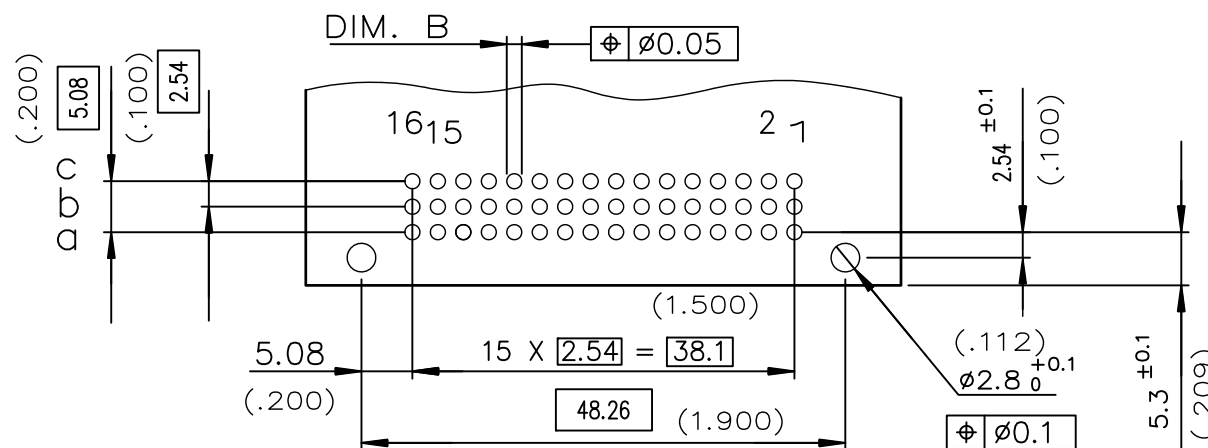
rev	ecn no	dr	date
D	-	ROU	2002/08/28
E	LS05-001	JTA	2005/03/01
F	LS06-0097	LGO	2006/07/11
G	ELX-I-26710	MJA	2017/04/18
-	-	-	-
-	-	-	-
-	-	-	-

GENERAL CHARACTERISTICS AND ROHS INFORMATIONS:
SEE DRAWING C-8609-0000A

PART NUMBER		8609			73				5	
PIN OUT		rows a-b-c		3	48	rows a-c		4	32	
NUMBER OF CONTACTS										
TERMINATION		L = 2.75 ±0.15 (.108)		A = ∅0.6 ⁰ -0.08	B = ∅0.8 ^{+0.3} ₀	13		23		
		L = 4.15 ±0.15 (.163)		A = 0.6X0.6	B = ∅1±0.1					
OPTIONS		no option		-----		7				
		with harpoons		----- for PCB thickness 1.6 mm		H				
PERFORMANCE CLASS		DIN 41612 class 3		-----		4				
		DIN 41612 class 2		-----		5				
		DIN 41612 class 1		-----		6				
TERMINATION TYPE		TIN LEAD		-----		000E1				
		LEAD FREE		-----		E1LF				

PCB DRILLING

component side



GENERAL CHARACTERISTICS AND ROHS INFORMATIONS:
 SEE DRAWING C-8609-0000A European Views

www.fciconnect.com			surface ISO 1302 ✓	tolerance std ISO 406 ISO 1101	projection mm
TOLERANCES UNLESS OTHERWISE SPECIFIED					
Dr	ROUILLARD	1992/06/12	ANGULAR	0.X	±0.1
Eng	TARON	1992/06/12	LINEAR	0.XX	±0.1
Chr	LEGARE	1992/06/12	0.XX ±2*	0.XXX	±0.1
Appr	LEGARE	1992/06/12	Product family	DIN 8609	Spec ref -
Amphenol FCI			title RIGHT ANGLE HEADER - STYLE C/2		dwg no C-8609-0255-2
			SOLDER TO BOARD		Rev. G
			catalog no		CUSTOMER sheet 1 of 1

rev	ecn no	dr	date
D	-	ROU	2002/08/28
E	LS05-001	JTA	2005/03/04
F	LS06-0097	LGO	2006/07/11
G	ELX-I-26710	MJA	2017/04/18
-	-	-	-
-	-	-	-
-	-	-	-