



Chipsmall Limited consists of a professional team with an average of over 10 year of expertise in the distribution of electronic components. Based in Hongkong, we have already established firm and mutual-benefit business relationships with customers from,Europe,America and south Asia,supplying obsolete and hard-to-find components to meet their specific needs.

With the principle of “Quality Parts,Customers Priority,Honest Operation,and Considerate Service”,our business mainly focus on the distribution of electronic components. Line cards we deal with include Microchip,ALPS,ROHM,Xilinx,Pulse,ON,Everlight and Freescale. Main products comprise IC,Modules,Potentiometer,IC Socket,Relay,Connector.Our parts cover such applications as commercial,industrial, and automotives areas.

We are looking forward to setting up business relationship with you and hope to provide you with the best service and solution. Let us make a better world for our industry!



Contact us

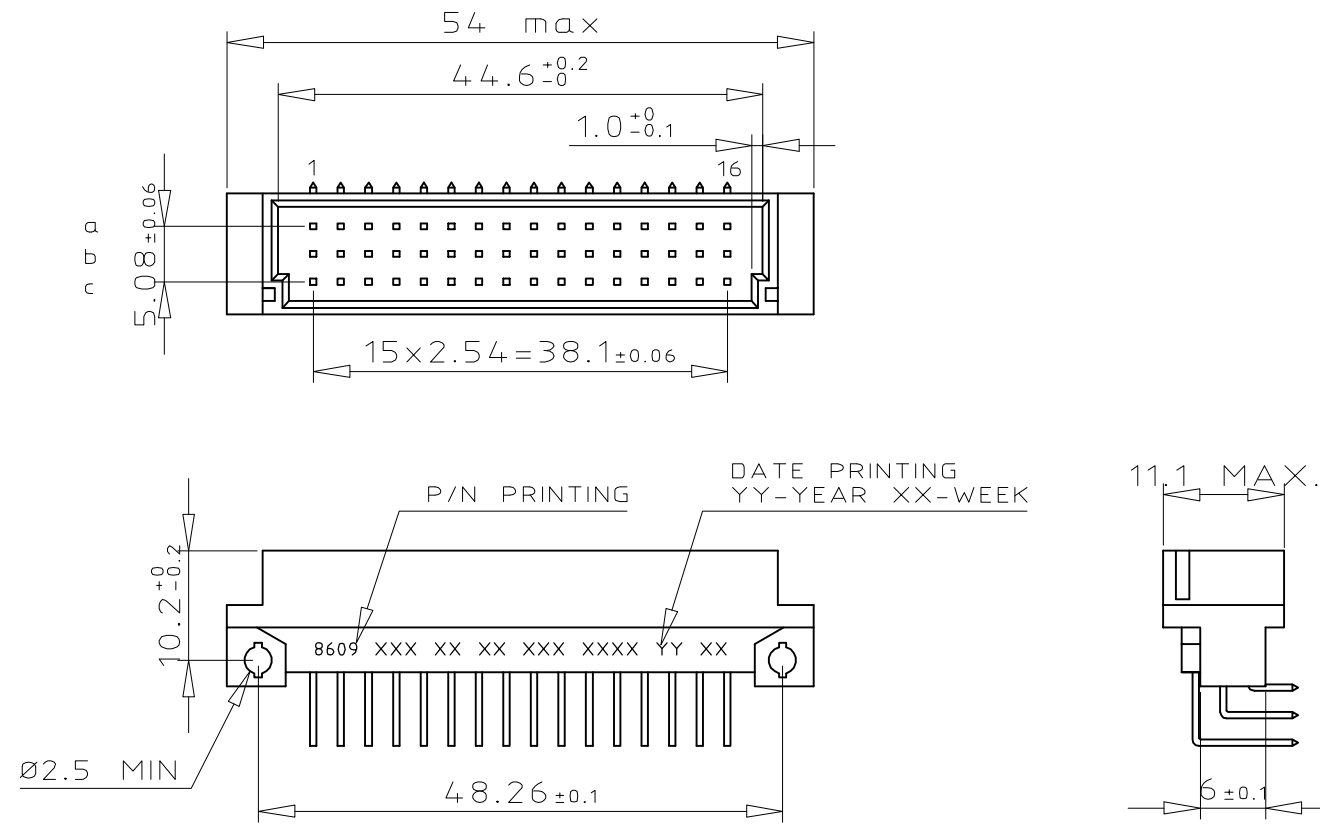
Tel: +86-755-8981 8866 Fax: +86-755-8427 6832

Email & Skype: info@chipsmall.com Web: www.chipsmall.com

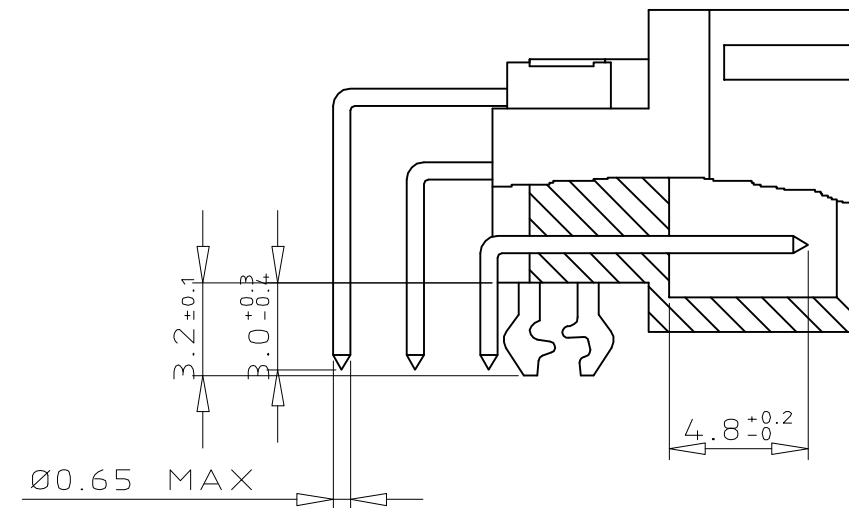
Address: A1208, Overseas Decoration Building, #122 Zhenhua RD., Futian, Shenzhen, China



DIMENSIONS



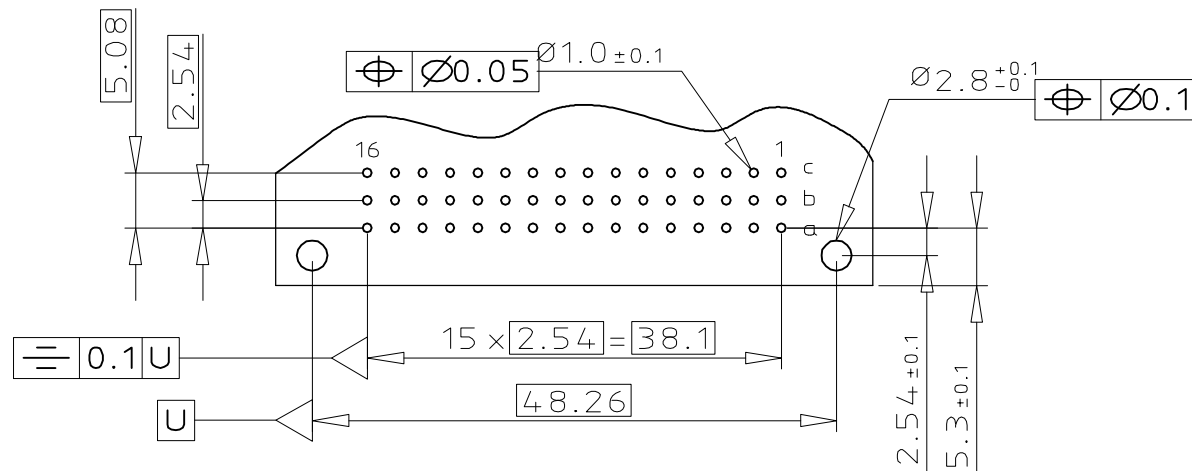
TERMINATION



ORDERING INFORMATION

SERIES	8609	3	48	7	3	13	7	4	5	ELF
ROWS FITTED WITH CONTACTS										
ROW a			16							
ROW a b c			48							
ROW a - c			32							
NO. OF CONTACTS										
TYPE OF INSULATOR										
3 ROW MALE INSULATOR			7							
METHOD OF MOUNTING										
STANDARD MOUNTING - STYLE C/2			3							
TERMINATION										
ANGLED SPILL			13							
OPTIONS										
NO OPTION			7							
WITH HARPOONS			H							
PERFORMANCE CLASS										
DIN 41612 CLASS 3			4							
DIN 41612 CLASS 2			6							
DIN 41612 CLASS 1			8							
AS PER MIL C 55302 / JSS 50808			8							
PITCH PER ROW										
2.54 mm			5							
LEAD FREE VERSION			ELF							

PCB LAYOUT



GENERAL CHARACTERISTICS & RoHS INFO

REFER DRAWING C-8609-0000A

mat'l. code	surface	tolerance	projection	product family
SEE DWG C-8609-0000A	ISO 1302 ✓	ISO 406 ISO 1101		8609
ltr	ecn no	dr	date	title
A	104-0063	MINI	2004-09-17	DIN STANDARD HEADER
B	104-0100	MINI	2004-11-09	DIN 41612 STYLE C/2
C	105-0089	MINI	2005-05-19	
D	106-0061	MINI	2006-05-31	
E	108-0146	KR	2008-10-21	
F	109-0217	KR	2009-10-13	
G	110-0020	KR	2010-01-13	
sheet index	revision	G		
	sheet	1		