



Chipsmall Limited consists of a professional team with an average of over 10 year of expertise in the distribution of electronic components. Based in Hongkong, we have already established firm and mutual-benefit business relationships with customers from,Europe,America and south Asia,supplying obsolete and hard-to-find components to meet their specific needs.

With the principle of “Quality Parts,Customers Priority,Honest Operation,and Considerate Service”,our business mainly focus on the distribution of electronic components. Line cards we deal with include Microchip,ALPS,ROHM,Xilinx,Pulse,ON,Everlight and Freescale. Main products comprise IC,Modules,Potentiometer,IC Socket,Relay,Connector.Our parts cover such applications as commercial,industrial, and automotives areas.

We are looking forward to setting up business relationship with you and hope to provide you with the best service and solution. Let us make a better world for our industry!



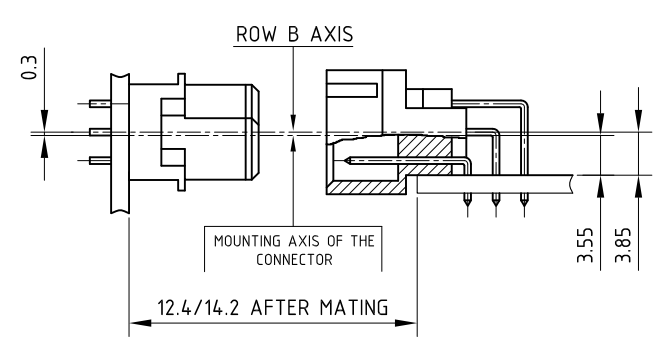
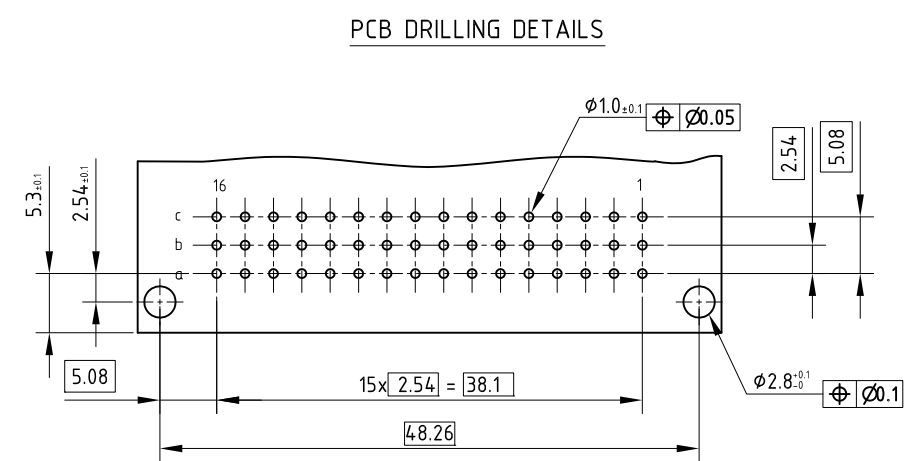
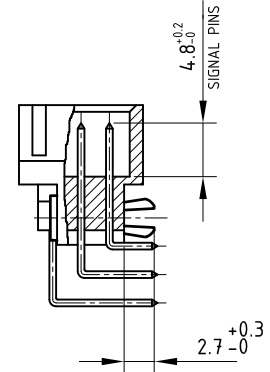
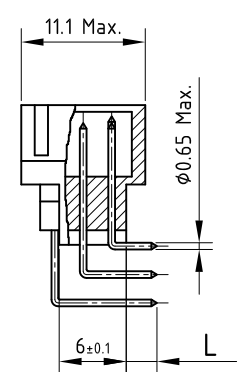
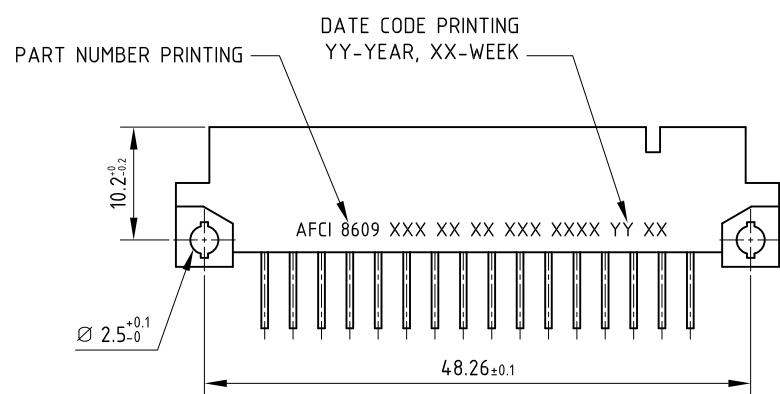
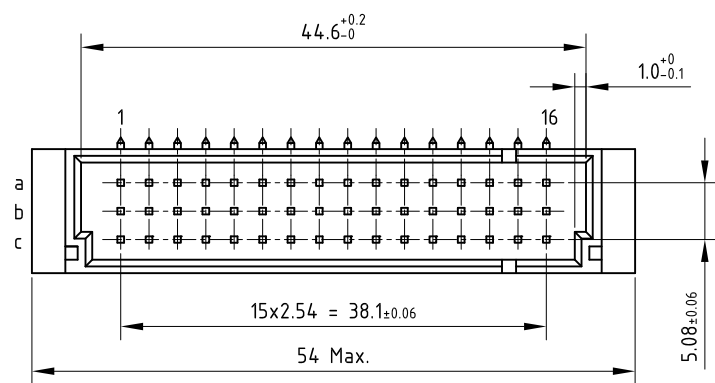
Contact us

Tel: +86-755-8981 8866 Fax: +86-755-8427 6832

Email & Skype: info@chipsmall.com Web: www.chipsmall.com

Address: A1208, Overseas Decoration Building, #122 Zhenhua RD., Futian, Shenzhen, China





TECHNICAL SPECIFICATION

HOUSING MATERIAL : HIGH TEMPERATURE THERMOPLASTIC POLYESTER UL94V-0, NATURAL
 HOUSING CAN WITHSTAND EXPOSURE 260°C PEAK TEMPERATURE FOR 30 SECONDS IN A CONVECTION, INFRARED OR VAPOUR REFLOW SOLDER APPLICATION.

CONTACT / HARPOON MATERIAL : COPPER ALLOY
 CONTACT PLATING : CONTACT ZONE - Au / GXT™ OVER Ni
 TERMINATION ZONE - Sn (MATT) OVER Ni
 HARPOON PLATING : Sn (MATT) OVER Ni

ELECTRICAL DATA

CURRENT RATING AT 20°C : 1.5 A
 CURRENT (I MAX) : 2 A
 TEMPERATURE RANGE : -55°C TO +125°C
 CONTACT RESISTANCE : ≤20 mΩ
 INSULATION RESISTANCE : ≥10⁹Ω
 TEST VOLTAGE (rms) : 1000 V

MECHANICAL DATA

INSERTION FORCE PER CONTACT : ≤ 0.94 N
 EXTRACTION FORCE PER CONTACT : ≥ 0.15 N

REFERENCE SPECIFICATION : DIN 41612 / IEC 603-2

SERIES	8609	3	48	7	3	13	B	5	5	F1LF
ROWS FITTED WITH CONTACTS										
Rows a b c		3	48							
Rows a - c		4	32							
NUMBER OF CONTACTS										
TYPE OF INSULATOR										
3 ROW MALE INSULATOR									7	
METHOD OF MOUNTING										
STANDARD MOUNTING - STYLE C/2										1
TERMINATION										
ANGLED SPILL SHORT (L = 2.6 ^{+0.3})										13
ANGLED SPILL LONG (L = 4.0 ^{+0.3})										23
OPTIONS										
HIGH TEMPERATURE HOUSING (NATURAL)										B
HIGH TEMPERATURE HOUSING (NATURAL) WITH HARPOONS										T
PERFORMANCE CLASS										
DIN 41612 CLASS 3										4
DIN 41612 CLASS 2										5
DIN 41612 CLASS 1										6
AS PER MIL C 55302/ JSS 50808										8
PITCH PER ROW										
2.54										5
SPECIAL CODE : F1LF										HIGH TEMPERATURE INSULATOR, LEADFREE VERSION

NOTES:
 1. THE "LF" PRODUCTS MEET EUROPEAN UNION DIRECTIVES AND OTHER COUNTRY REGULATIONS AS DESCRIBED IN GS-47-0004.
 2. LEAD FREE OR RoHS DIRECTIVE LABELING TO BE PROVIDED AS PER GS-14-920 FOR LEAD FREE VERSION.
 3. FOR GENERAL CHARACTERISTICS AND RoHS INFORMATION, REFER DRAWING C-8609-0000A.

mat'l. code	SEE TECH. SPEC.	surface	ISO 1302	tolerance	ISO 406	ISO 1101	projection	product family	8609
ltr	ecn no	dr	date	tolerances unless otherwise specified			mm	title	
A	-	MJA	2016-11-29	angles	.0±1			DIN STANDARD HEADER	
B	ELX-I-28738	MJA	2017-12-09	linear			scale 3:2	ANGLED SPILL DIN 41612 STYLE-C/2 (HIGH TEMPERATURE VERSION)	
				0°±1°				dwg no	
				dr	M JACOB	2016-11-29	Amphenol FCI	sheet 1 of 1	
				enr	M JACOB	2016-11-29		size	
				chr	STALIN ALOSIUS	2016-11-29		A3	
				appd	BIJU K PAUL	2016-11-29		C-8609-2364	
sheet index	revision sheet	B	1					type	
								Product Customer Drawing	