



Chipsmall Limited consists of a professional team with an average of over 10 year of expertise in the distribution of electronic components. Based in Hongkong, we have already established firm and mutual-benefit business relationships with customers from,Europe,America and south Asia,supplying obsolete and hard-to-find components to meet their specific needs.

With the principle of “Quality Parts,Customers Priority,Honest Operation,and Considerate Service”,our business mainly focus on the distribution of electronic components. Line cards we deal with include Microchip,ALPS,ROHM,Xilinx,Pulse,ON,Everlight and Freescale. Main products comprise IC,Modules,Potentiometer,IC Socket,Relay,Connector.Our parts cover such applications as commercial,industrial, and automotives areas.

We are looking forward to setting up business relationship with you and hope to provide you with the best service and solution. Let us make a better world for our industry!



Contact us

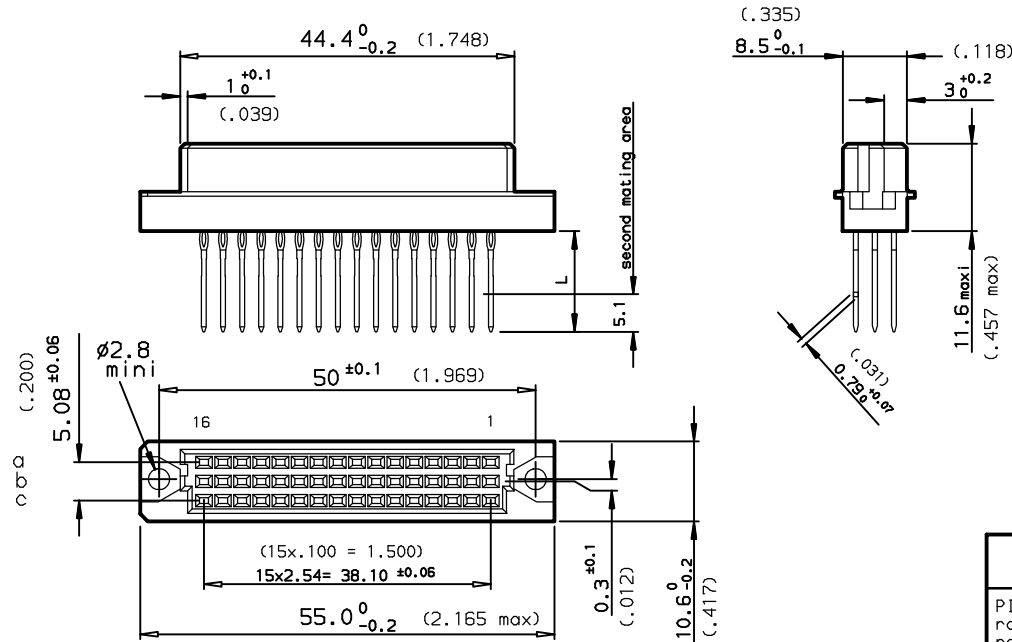
Tel: +86-755-8981 8866 Fax: +86-755-8427 6832

Email & Skype: info@chipsmall.com Web: www.chipsmall.com

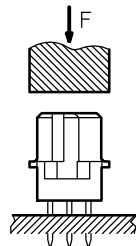
Address: A1208, Overseas Decoration Building, #122 Zhenhua RD., Futian, Shenzhen, China



DIMENSIONS mm (inches)

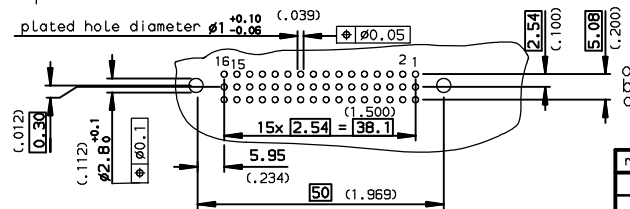


METHOD OF INSERTION
ON THE PCB = FLAT ROCK



PCB DRILLING

component side



PART NUMBER	8609			83		7		5	
PIN OUT									
rows a-b-c				3		48			
rows a-c				4		32			
NUMBER OF CONTACTS									
TERMINATION									
L = 13.10 ±0.20 (C.515)								96	
L = 17.10 ±0.20 (C.673)								97	
PERFORMANCE CLASS									
DIN 41612 class 3									4
DIN 41612 class 2									5
DIN 41612 class 1									6
TERMINATION TYPE									
TIN LEAD									000A
LEAD FREE									ALF

GENERAL CHARACTERISTICS AND ROHS INFORMATIONS:

SEE DRAWING C-8609-0000C

European Views

www.fciconnect.com	surface	tolerance std	projection	mm
	ISO 1302	ISO 406 ISO 1101		
	TOLERANCES UNLESS OTHERWISE SPECIFIED			
Dr ROUILLARD 1998/06/15	ANGULAR	LINEAR	size	Scale
Eng TARON 1998/06/15			A3	1.5
Chr LEGARE 1998/06/15	0.xx' ±2'			
Appr LEGARE 1998/06/15	0.xxx' ±2'		ECN	LS06-0095
	Product family	DIN 8609	Spec ref	-

rev	ecn no	dr	date
A	-	-	1998/06/15
B	LS05-004	JTA	2005/02/26
C	LS06-0095	LGO	2006/06/24
-	-	-	-
-	-	-	-
-	-	-	-

	title	STRAIGHT FEMALE - STYLE C/2	Rev.
		PRESS FIT REAR PLUG UP	C
catalog no			
		CUSTOMER	sheet 1 of 1



Copyright FCI.