



Chipsmall Limited consists of a professional team with an average of over 10 year of expertise in the distribution of electronic components. Based in Hongkong, we have already established firm and mutual-benefit business relationships with customers from,Europe,America and south Asia,supplying obsolete and hard-to-find components to meet their specific needs.

With the principle of “Quality Parts,Customers Priority,Honest Operation,and Considerate Service”,our business mainly focus on the distribution of electronic components. Line cards we deal with include Microchip,ALPS,ROHM,Xilinx,Pulse,ON,Everlight and Freescale. Main products comprise IC,Modules,Potentiometer,IC Socket,Relay,Connector.Our parts cover such applications as commercial,industrial, and automotives areas.

We are looking forward to setting up business relationship with you and hope to provide you with the best service and solution. Let us make a better world for our industry!



Contact us

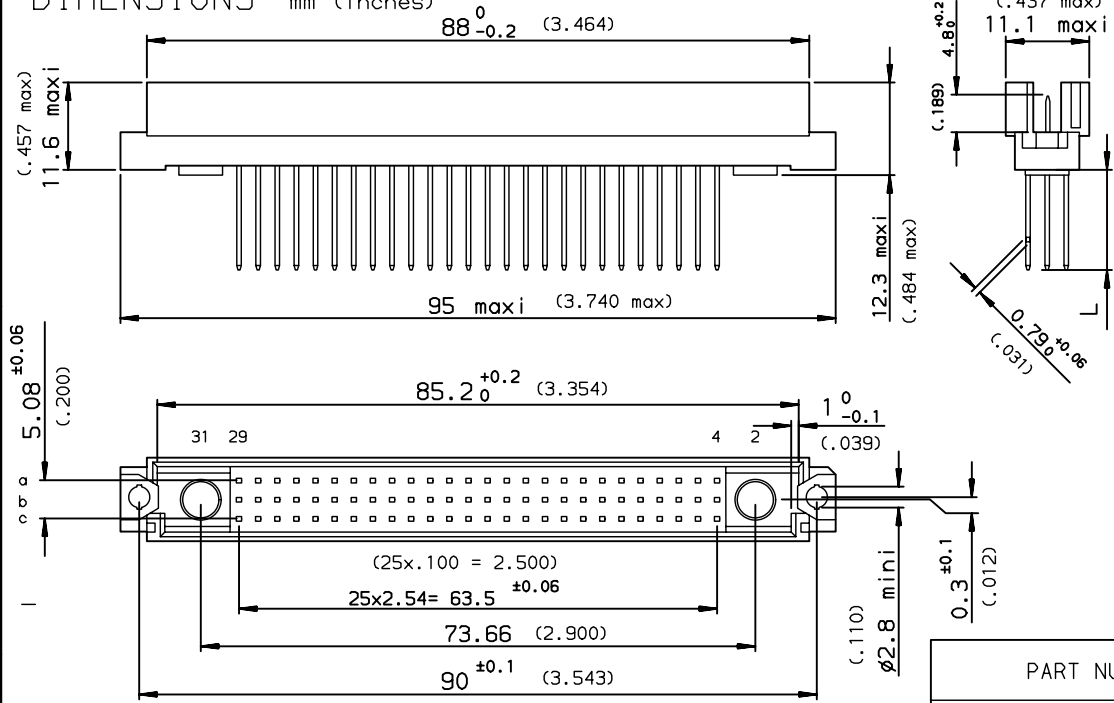
Tel: +86-755-8981 8866 Fax: +86-755-8427 6832

Email & Skype: info@chipsmall.com Web: www.chipsmall.com

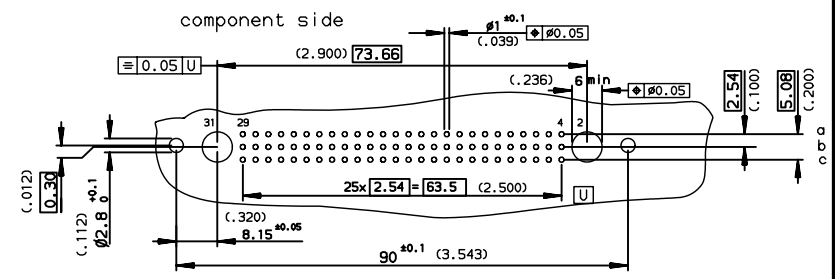
Address: A1208, Overseas Decoration Building, #122 Zhenhua RD., Futian, Shenzhen, China



DIMENSIONS mm (inches)



PCB DRILLING



PART NUMBER		8609		A8		7		5	
PIN OUT									
rows a-b-c		3		78					
rows a-c		4		52					
NUMBER OF CONTACTS									
TERMINATION									
L = 13.3 ±0.25 (.523)		---		WW		---		15	
L = 17.95 ±0.25 (.706)		---		WW		---		25	
PERFORMANCE CLASS									
DIN 41612 class 3		---		---		---		4	
DIN 41612 class 2		---		---		---		5	
DIN 41612 class 1		---		---		---		6	
TERMINATION TYPE									
TIN LEAD		---		---		---		000E1	
LEAD FREE		---		---		---		E1LF	

GENERAL CHARACTERISTIC and ROHS INFORMATION
SEE DRAWING C-8609-0000B

Copyright FCJ.

European Views

rev	ecn no	dr	date
B	-	HLE	1996/02/21
C	LS07-0130	HLE	2007/05/21
D	LS07-0211	HLE	2007/08/08
-	-	-	-
-	-	-	-
-	-	-	-

www.fciconnect.com		surface ISO 1302 <input checked="" type="checkbox"/>	tolerance std ISO 406 ISO 1101	projection 	mm
TOLERANCES UNLESS OTHERWISE SPECIFIED					
Dr	LEGALIC	1996/02/21	ANGULAR	0.X	±0.1
Eng	LEGALIC	1996/02/21	LINEAR	0.XX	±0.1
Chr	LEGARE	1996/02/21	0.XX' ±2'	0.XXX	±0.1
Appr	LEGARE	1996/02/21	Product family	DIN	Spec ref -
		title STRAIGHT MALE WITH SPECIAL CONTACTS WIRE WRAP		dwg no C-8609-0321	Rev. D
catalog no		SEE TABLE		CUSTOMER	sheet 1 of 1

REV F - 2006-04-17