



Chipsmall Limited consists of a professional team with an average of over 10 year of expertise in the distribution of electronic components. Based in Hongkong, we have already established firm and mutual-benefit business relationships with customers from,Europe,America and south Asia,supplying obsolete and hard-to-find components to meet their specific needs.

With the principle of "Quality Parts,Customers Priority,Honest Operation,and Considerate Service",our business mainly focus on the distribution of electronic components. Line cards we deal with include Microchip,ALPS,ROHM,Xilinx,Pulse,ON,Everlight and Freescale. Main products comprise IC,Modules,Potentiometer,IC Socket,Relay,Connector.Our parts cover such applications as commercial,industrial, and automotives areas.

We are looking forward to setting up business relationship with you and hope to provide you with the best service and solution. Let us make a better world for our industry!



Contact us

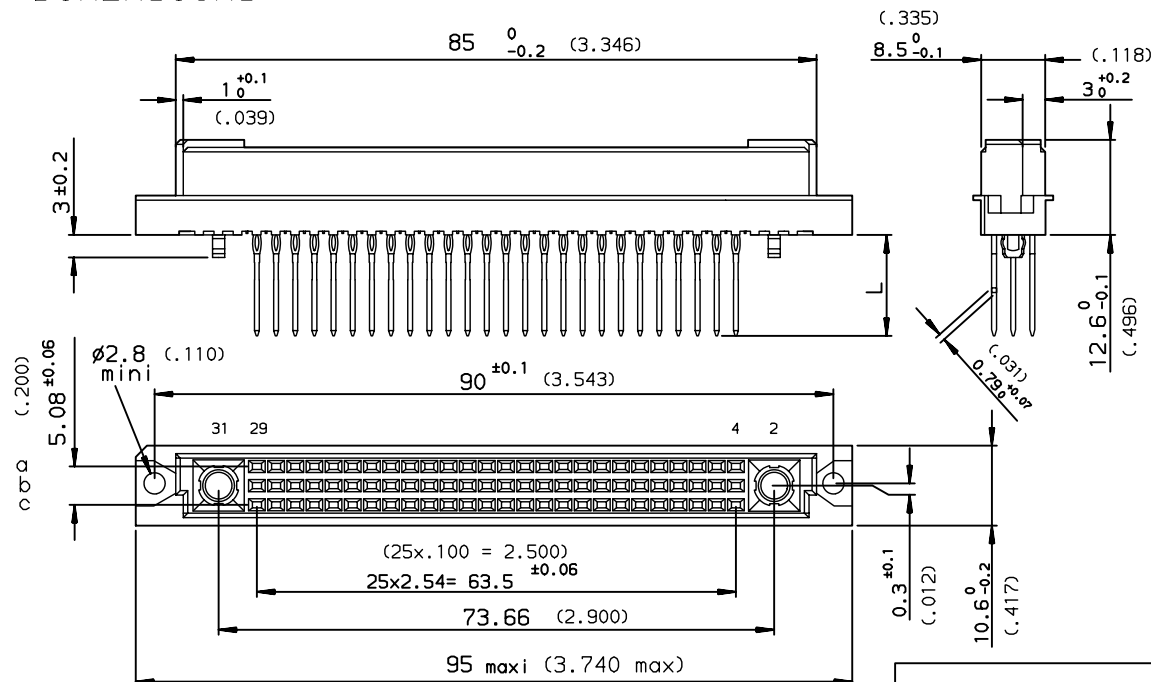
Tel: +86-755-8981 8866 Fax: +86-755-8427 6832

Email & Skype: info@chipsmall.com Web: www.chipsmall.com

Address: A1208, Overseas Decoration Building, #122 Zhenhua RD., Futian, Shenzhen, China



DIMENSIONS mm (inches)



ELECTRICAL DATA (for signal contacts)

- Current at AMB. 1.5 A at 20° C / 1 A at 70° C
- I max 2A
- Contact resistance $\leq 20\text{m}\Omega$ according to DIN 41640 Teil 4 test 2a
- Insulation resistance >math>10^9\text{M}\Omega</math> according to DIN 41640 teil 7 test 3a
- TEST VOLTAGE according to DIN 41640 teil 21
- contact/contact 1000V eff (0.5 mA / 50 Hz)
- contact/ground 1550V eff (0.5 mA / 50 Hz)
- Press Fit termination resistance $\leq 1\text{ m}\Omega$

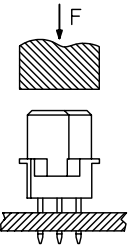
MECHANICAL DATA (for signal contacts)

- Mating force 78 Cts : $\leq 73\text{N}$ (16.5 Lb) / 52 Cts : $\leq 49\text{N}$ (11 Lb)
- Unmating force 78 Cts : >math>\geq 12\text{N}</math> (2.7 Lb) / 52 Cts : >math>\geq 8\text{N}</math> (1.8 Lb)
- Mechanical endurance class 1 500 matings unmatings according to DIN41640 teil 21
- class 2 400
- class 3 50
- Press in insertion force per pin 180 N (40.7 Lb) max / 75 N (17 Lb) standard
- Material insulator Polyester thermoplastic UL94V0
- Material contacts Phosphor bronze
- Finishing contact surface Gold over Nickel
- Finishing termination Tin Lead
- Shock $\leq 40\text{ma}$ according to DIN 41640 Teil 14 test 6c
- Vibration class 1 10-2000Hz/20g according to DIN 41640 Teil 15
- class 2 10-500Hz/5g
- Backpanel or PCB thickness: 1.6 , 2.4 or 3.2 mm

ENVIRONMENTAL DATA

- Climatic category According to DIN 41612
- Corrosion According to DIN 41612

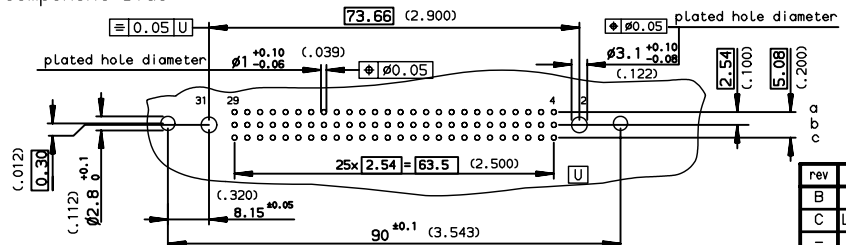
METHOD OF INSERTION ON THE PCB = FLAT ROCK



PERFORMANCES AS PER DIN 41612

PART NUMBER	8609			BP			7		5	000	E3
PIN OUT											
rows a-b-c							3				78
rows a-c							4				52
NUMBER OF CONTACTS											
TERMINATION											
L = 13.10 ± 0.20 (.515)											91
L = 17.10 ± 0.20 (.673)											92
L = 3.00 ± 0.20 (.118)											94
PERFORMANCE CLASS											
DIN 41612 class 3											6/5/4
DIN 41612 class 2											
DIN 41612 class 1											

PCB DRILLING component side



rev	ecn no	dr	date
B	-	HLE	1997/05/11
C	LS07-0130	HLE	2007/05/22
-	-	-	-
-	-	-	-
-	-	-	-
-	-	-	-

www.fciconnect.com

Dr	LEGALLIC	1997/05/11	surface	ISO 1302	tolerance std	ISO 406 ISO 1101	projection	mm
Eng	LEGALLIC	1997/05/11	ANGULAR	LINEAR	0.X ± 0.1	0.XX ± 0.1	size	A3
Chr	LEGARE	1997/05/11	0.XX ± 2'		0.XXX ± 0.1		Scale	1.5
Appr	LEGARE	1997/05/11	Product family	DIN	Spec ref	-	ECN	LS07-0130

FCj
 title STRAIGHT FEMALE STYLE M
 catalog no C-8609-0525
 sheet 1 of 1

Copyright FCj

REV F - 2006-04-17