



Chipsmall Limited consists of a professional team with an average of over 10 year of expertise in the distribution of electronic components. Based in Hongkong, we have already established firm and mutual-benefit business relationships with customers from,Europe,America and south Asia,supplying obsolete and hard-to-find components to meet their specific needs.

With the principle of “Quality Parts,Customers Priority,Honest Operation,and Considerate Service”,our business mainly focus on the distribution of electronic components. Line cards we deal with include Microchip,ALPS,ROHM,Xilinx,Pulse,ON,Everlight and Freescale. Main products comprise IC,Modules,Potentiometer,IC Socket,Relay,Connector.Our parts cover such applications as commercial,industrial, and automotives areas.

We are looking forward to setting up business relationship with you and hope to provide you with the best service and solution. Let us make a better world for our industry!



Contact us

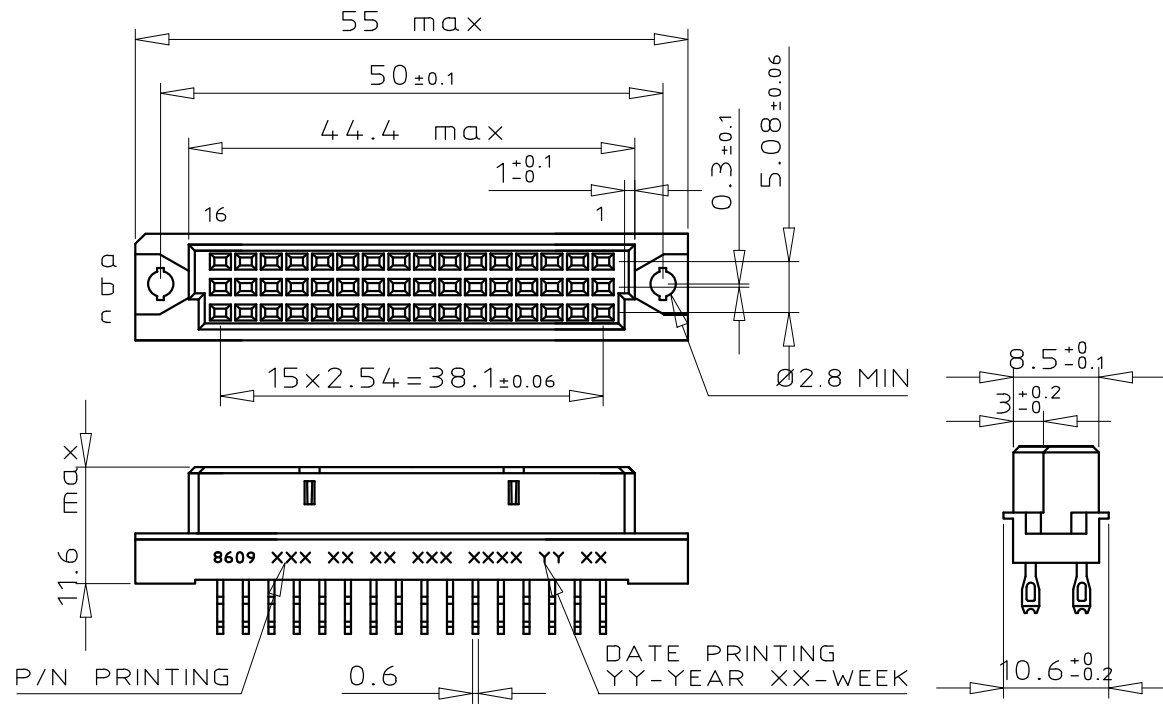
Tel: +86-755-8981 8866 Fax: +86-755-8427 6832

Email & Skype: info@chipsmall.com Web: www.chipsmall.com

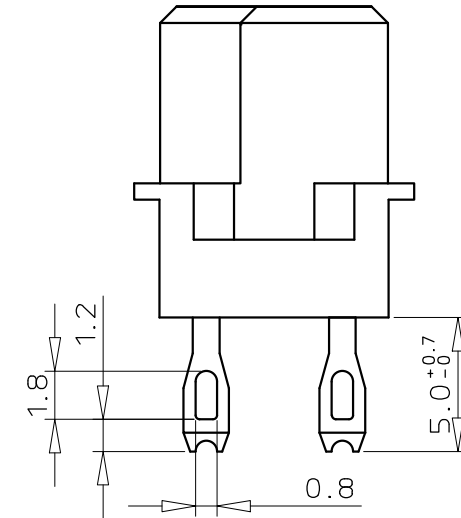
Address: A1208, Overseas Decoration Building, #122 Zhenhua RD., Futian, Shenzhen, China



DIMENSIONS



TERMINATION



TECHNICAL SPECIFICATION

HOUSING MATERIAL	THERMOPLASTIC POLYESTER UL-94-V0 GRAY
CONTACT MATERIAL	COPPER ALLOY
ACTIVE ZONE CONTACT FINISH	Au OVER Ni
TERMINATION ZONE CONTACT FINISH	Sn (PURE MATT) OVER Ni

ELECTRICAL DATA

CURRENT RATING	1.5A AT 20°C
TEMPERATURE RANGE	-55°C TO +125°C
CONTACT RESISTANCE	≤20mΩ
INSULATION RESISTANCE	≥10MΩ
TEST VOLTAGE (RMS)	1000V

MECHANICAL DATA

INSERTION FORCE PER CONTACT	≤0.94N
EXTRACTION FORCE PER CONTACT	≥0.15N
REFERENCE SPECIFICATION	DIN 41612 OR IEC 603-2

RoHS INFORMATION

- LEAD FREE OR RoHS DIRECTIVE LABELING TO BE PROVIDED AS PER GS-14-920 FOR LEAD FREE VERSION.
- THE "LF" PRODUCTS MEET EUROPEAN UNION DIRECTIVES AND OTHER COUNTRY REGULATIONS AS DESCRIBED IN GS-22-008.

ORDERING INFORMATION

SERIES	8609	4	32	8	3	09	7	5	5	E1LF
ROWS FITTED WITH CONTACTS										
ROW a - c			4	32						
ROW a b c			3	48						
NO. OF CONTACTS										
TYPE OF INSULATOR										
3 ROW FEMALE INSULATOR				8						
METHOD OF MOUNTING										
STANDARD MOUNTING - STYLE C/2				3						
TERMINATION										
SHORT SOLDER EYELET						09				
OPTIONS										
NO OPTION								7		
PERFORMANCE CLASS										
DIN 41612 CLASS 3								4		
DIN 41612 CLASS 2								5		
DIN 41612 CLASS 1								6		
AS PER MIL C 55302 / JSS 50808								8		
PITCH PER ROW										
2.54 mm									5	
LEAD FREE VERSION										E1LF

mat'l. code	see tech spec	surface	tolerance	projection	product family		
ltr	ecn no	dr	date	ISO 1302	ISO 406	ISO 1101	8609
A	085-10-09	KR	2009-10-24	tolerances unless otherwise specified	mm		title
B	110-0036	KR	2010-02-02	angles	linear		DIN STANDARD RECEPTACLE
C	111-0043	MJA	2011-02-25	0°±2°			SOLDER EYELET DIN 41612 STYLE C/2
				dr	KESAVAN R	2009-10-24	dwg no
				enr	KESAVAN R	2009-10-24	sheet 1 of 1
				chr	KESAVAN R	2010-02-02	size
				app	BIJU K PAUL	2010-02-02	A3
sheet index	revision sheet	C	1				type Product Customer Drawing