



Chipsmall Limited consists of a professional team with an average of over 10 year of expertise in the distribution of electronic components. Based in Hongkong, we have already established firm and mutual-benefit business relationships with customers from,Europe,America and south Asia,supplying obsolete and hard-to-find components to meet their specific needs.

With the principle of “Quality Parts,Customers Priority,Honest Operation,and Considerate Service”,our business mainly focus on the distribution of electronic components. Line cards we deal with include Microchip,ALPS,ROHM,Xilinx,Pulse,ON,Everlight and Freescale. Main products comprise IC,Modules,Potentiometer,IC Socket,Relay,Connector.Our parts cover such applications as commercial,industrial, and automotives areas.

We are looking forward to setting up business relationship with you and hope to provide you with the best service and solution. Let us make a better world for our industry!



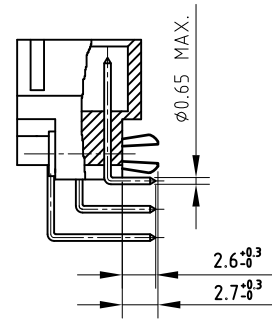
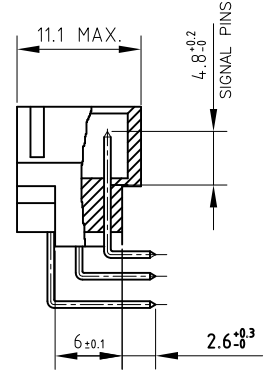
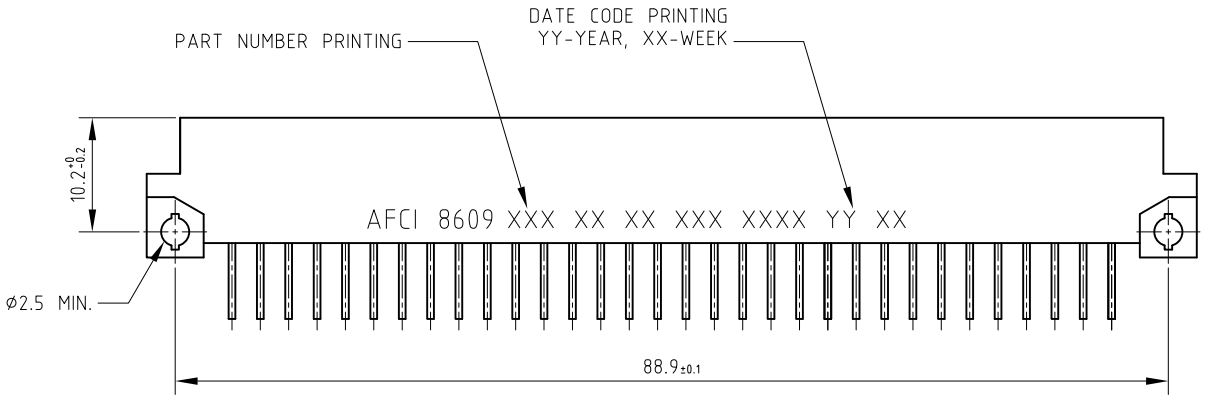
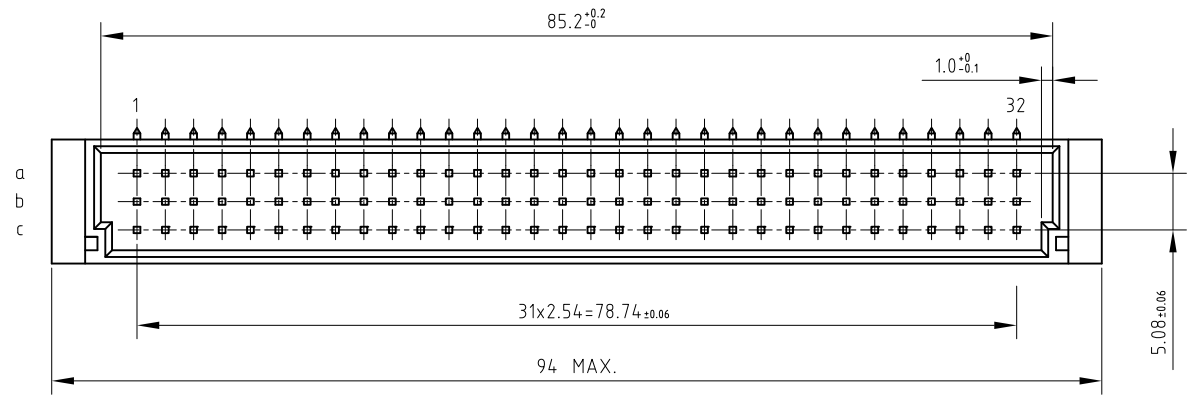
Contact us

Tel: +86-755-8981 8866 Fax: +86-755-8427 6832

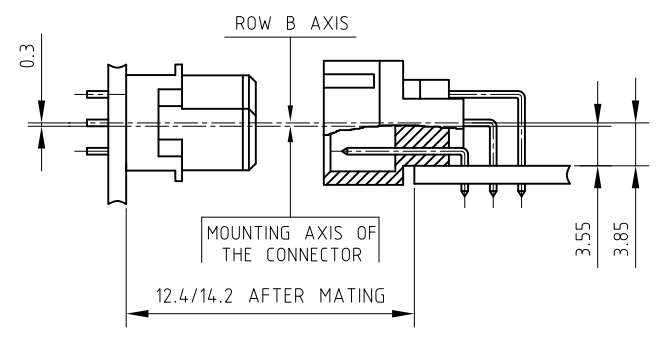
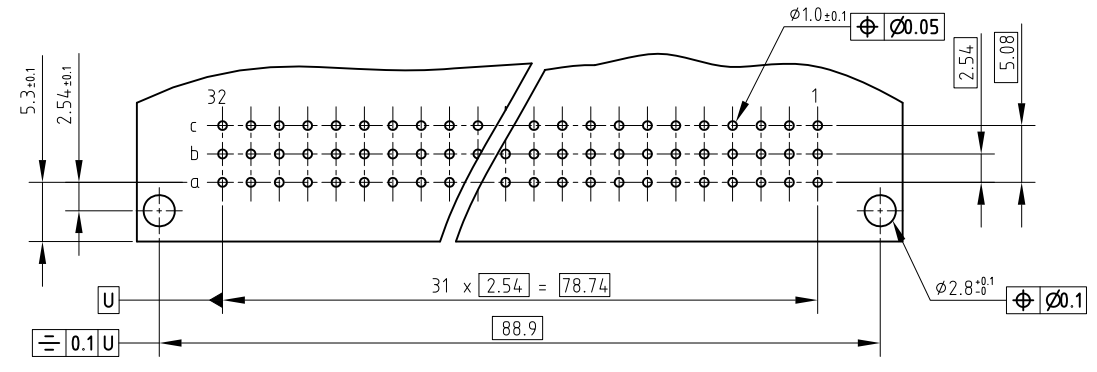
Email & Skype: info@chipsmall.com Web: www.chipsmall.com

Address: A1208, Overseas Decoration Building, #122 Zhenhua RD., Futian, Shenzhen, China





PCB DRILLING DETAILS



TECHNICAL SPECIFICATION

HOUSING MATERIAL : HIGH TEMPERATURE THERMOPLASTIC POLYESTER UL94V-0, NATURAL
 HOUSING CAN WITHSTAND EXPOSURE TO 260°C PEAK TEMPERATURE FOR 30 SECONDS IN A CONVECTION, INFRARED OR VAPOUR REFLOW SOLDER APPLICATION

CONTACT / HARPOON MATERIAL : COPPER ALLOY

CONTACT ACTIVE ZONE PLATING : AU/GXT™ OVER NICKEL

CONTACT TERMINATION ZONE/HARPOON PLATING

LEAD FREE VERSION : TIN (PURE MATTE) OVER NI

ELECTRICAL DATA

CURRENT RATING AT 20°C : 1.5 A

CURRENT (I MAX) : 2 A

TEMPERATURE RANGE : -55°C/+125°C

CONTACT RESISTANCE : ≤ 20mΩ

INSULATION RESISTANCE : ≥ 10⁶ MΩ

TEST VOLTAGE (rms) : 1000V

MECHANICAL DATA

INSERTION FORCE PER CONTACT : ≤ 0.94N

EXTRACTION FORCE PER CONTACT : ≥ 0.15N

REFERENCE SPECIFICATIONS : DIN 41612 / IEC 603-2

SERIES	8609	3	96	7	1	13	B	5	5	F1LF
ROWS FITTED WITH CONTACTS										
Rows a b c	3			96						
Rows a - c	4			64						
NUMBER OF CONTACTS										
TYPE OF INSULATOR										
3 ROW MALE INSULATOR	7									
METHOD OF MOUNTING										
STANDARD MOUNTING - STYLE C/2	1									
TERMINATION										
ANGLED SPILL	13									
OPTIONS										
HIGH TEMPERATURE HOUSING (NATURAL)										B
HIGH TEMPERATURE HOUSING (NATURAL) WITH HARPOONS										T
PERFORMANCE CLASS										
DIN 41612 CLASS 3										4
DIN 41612 CLASS 2										5
DIN 41612 CLASS 1										6
AS PER MIL C 55302/ JSS 50808										8
PITCH PER ROW										
2.54										5
SPECIAL CODE : F1LF	HIGH TEMPERATURE INSULATOR, LEADFREE VERSION									

NOTES:

- THE "LF" PRODUCTS MEET EUROPEAN UNION DIRECTIVES AND OTHER COUNTRY REGULATIONS AS DESCRIBED IN GS-47-0004.
- LEAD FREE OR RoHS DIRECTIVE LABELING TO BE PROVIDED AS PER GS-14-920 FOR LEAD FREE VERSION.
- FOR GENERAL CHARACTERISTICS AND RoHS INFORMATION, REFER DRAWING C-8609-0000A.

mat'l. code SEE TECH. SPEC.		surface ISO 1302 ✓		tolerance ISO 406 ISO 1101		projection mm		product family 8609		
ltr	ecn	no	dr	date		tolerances unless otherwise specified		title		
A	-	-	MJA	2016-11-29		.0±1		DIN STANDARD HEADER		
-	-	-	-	-		0°±1°		ANGLED SPILL DIN 41612 STYLE-C		
								scale 3:2		
								Amphenol FCI		
								dwg no		
								sheet 1 of 1		
								size		
								A3		
								type		
								Product Customer Drawing		
sheet index	revision sheet	A		1						