



Chipsmall Limited consists of a professional team with an average of over 10 year of expertise in the distribution of electronic components. Based in Hongkong, we have already established firm and mutual-benefit business relationships with customers from,Europe,America and south Asia,supplying obsolete and hard-to-find components to meet their specific needs.

With the principle of "Quality Parts,Customers Priority,Honest Operation,and Considerate Service",our business mainly focus on the distribution of electronic components. Line cards we deal with include Microchip,ALPS,ROHM,Xilinx,Pulse,ON,Everlight and Freescale. Main products comprise IC,Modules,Potentiometer,IC Socket,Relay,Connector.Our parts cover such applications as commercial,industrial, and automotives areas.

We are looking forward to setting up business relationship with you and hope to provide you with the best service and solution. Let us make a better world for our industry!



Contact us

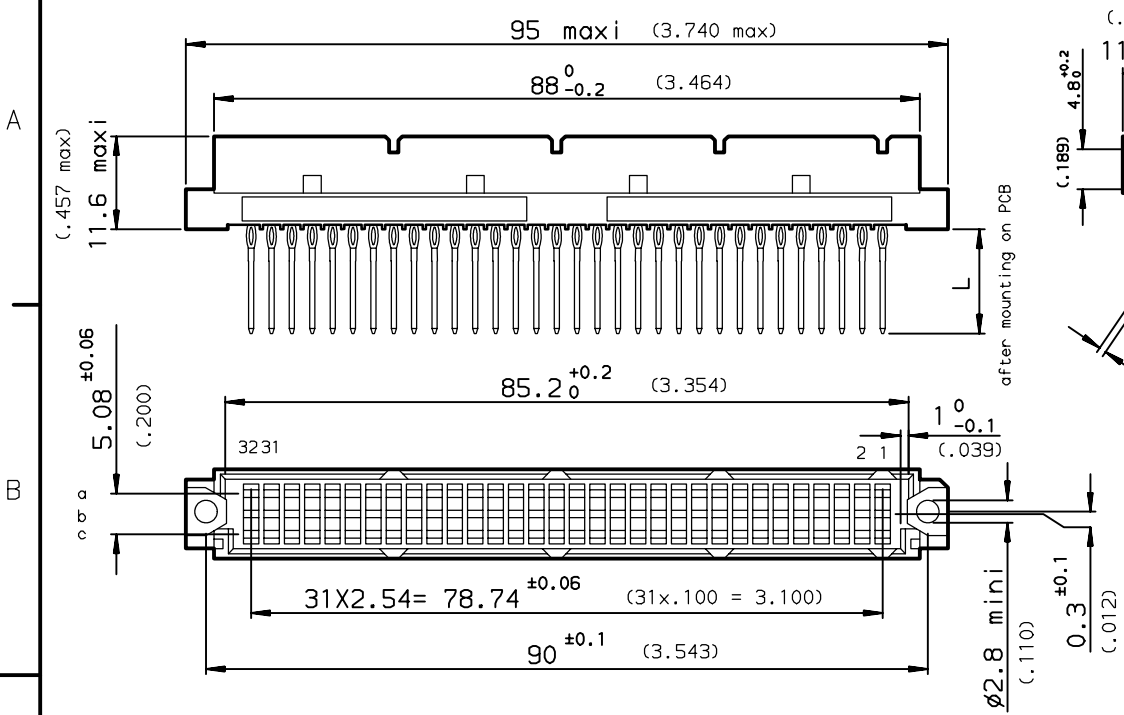
Tel: +86-755-8981 8866 Fax: +86-755-8427 6832

Email & Skype: info@chipsmall.com Web: www.chipsmall.com

Address: A1208, Overseas Decoration Building, #122 Zhenhua RD., Futian, Shenzhen, China

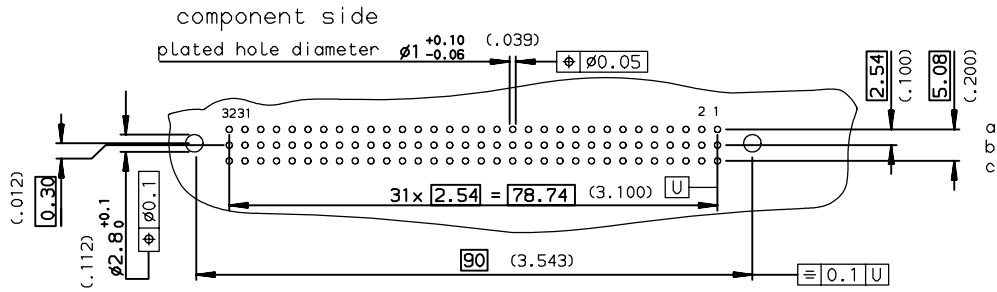


DIMENSIONS mm (inches)



PART NUMBER	8609			78		7		5	
PIN OUT									
rows a-b-c				3				96	
rows a-c				4				64	
NUMBER OF CONTACTS									
TERMINATION									
L = 13.25 ±0.25 (.521)								near plug up	96
L = 17.25 ±0.25 (.679)								near plug up + 1 wrap	97
L = 20.00 ±0.25 (.787)								near plug up + 2 wraps	98
PERFORMANCE CLASS									
DIN 41612 class 3									4
DIN 41612 class 2									5
DIN 41612 class 1									6
TERMINATION TYPE									
TIN LEAD									000
LEAD FREE									LF

PCB DRILLING



GENERAL CHARACTERISTICS AND ROHS INFORMATIONS:
 SEE DRAWING C-8609-0000C

European Views

www.fciconnect.com		surface ISO 1302	tolerance std ISO 406 ISO 1101	projection mm	size A3	Scale 1.5
TOLERANCES UNLESS OTHERWISE SPECIFIED						
Dr	ROUILLARD	1992/07/07	ANGULAR	0.X	±0.1	ECN L506-0095
Eng	TARON	1992/07/07	LINEAR	0.XX	±0.1	
Chr	LEGARE	1992/07/07	0.XX' ±2'	0.XXX	±0.1	
Appr	LEGARE	1992/07/07	Product family	Din 8609	Spec ref	-
FCI		title STRAIGHT MALE - STYLE R			Rev. F	
catalog no		-			C-8609-0285	
CUSTOMER		sheet 1 of 1				

rev	ecn no	dr	date
D	-	ATC	1998/12/09
E	L505-004	JTA	2005/02/26
F	L506-0095	LGO	2006/06/15
-	-	-	-
-	-	-	-
-	-	-	-
-	-	-	-

Copyright FCI. FCI