



Chipsmall Limited consists of a professional team with an average of over 10 year of expertise in the distribution of electronic components. Based in Hongkong, we have already established firm and mutual-benefit business relationships with customers from,Europe,America and south Asia,supplying obsolete and hard-to-find components to meet their specific needs.

With the principle of “Quality Parts,Customers Priority,Honest Operation,and Considerate Service”,our business mainly focus on the distribution of electronic components. Line cards we deal with include Microchip,ALPS,ROHM,Xilinx,Pulse,ON,Everlight and Freescale. Main products comprise IC,Modules,Potentiometer,IC Socket,Relay,Connector.Our parts cover such applications as commercial,industrial, and automotives areas.

We are looking forward to setting up business relationship with you and hope to provide you with the best service and solution. Let us make a better world for our industry!



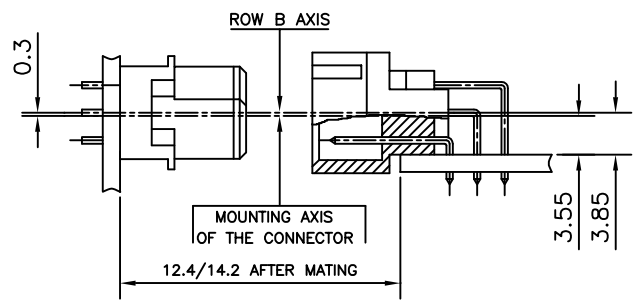
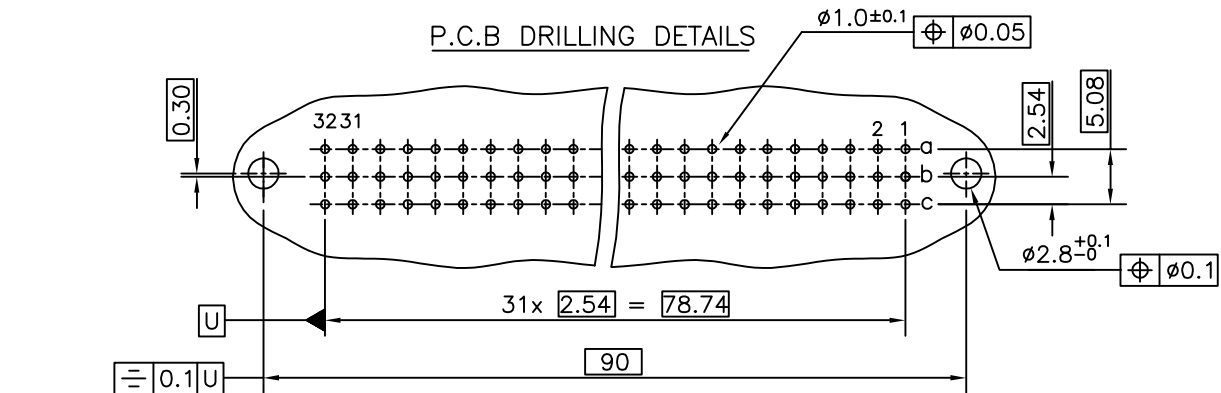
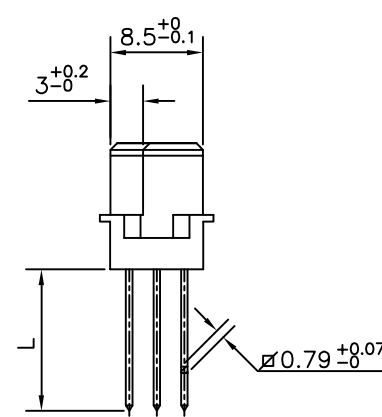
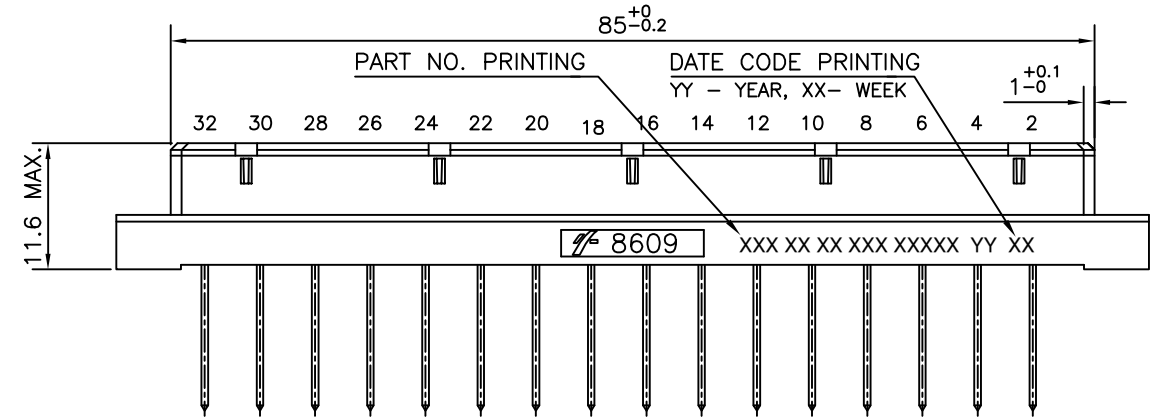
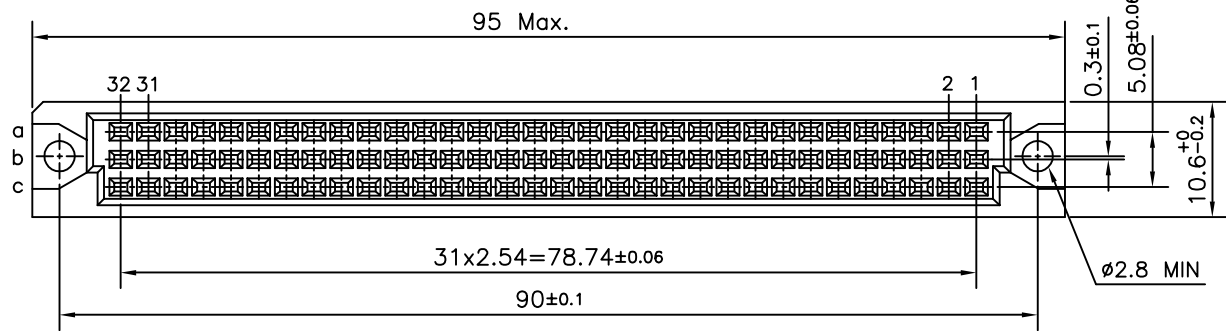
Contact us

Tel: +86-755-8981 8866 Fax: +86-755-8427 6832

Email & Skype: info@chipsmall.com Web: www.chipsmall.com

Address: A1208, Overseas Decoration Building, #122 Zhenhua RD., Futian, Shenzhen, China





45	9.75 ^{+0.5} ₋₀
35	7.06 ^{+0.7} ₋₀
15	13.1 ^{+0.5} _{-0.2}
TERM. STYLE	L

TECHNICAL SPECIFICATION

HOUSING MATERIAL : THERMOPLASTIC POLYESTER UL 94 V-0, GREY
 HOUSING CAN WITHSTAND EXPOSURE TO LEAD FREE WAVE SOLDERING TEMPERATURE OF 260-265°C FOR STRAIGHT CONNECTORS AS IT IS IN CLASSICAL LEAD WAVE SOLDERING AT 235-250°C

CONTACT MATERIAL : COPPER ALLOY
 CONTACT ACTIVE ZONE PLATING : GOLD OVER NICKEL
 CONTACT TERMINATION ZONE PLATING

TIN LEAD VERSION : TIN LEAD OVER NICKEL
 LEAD FREE VERSION : TIN (PURE MATTE) OVER NI

ELECTRICAL DATA

CURRENT RATING AT 20°C : 1,5 A
 CURRENT (I MAX) : 2A
 TEMPERATURE RANGE : -55°C/ +125°C
 CONTACT RESISTANCE : ≤ 20mΩ
 INSULATION RESISTANCE : ≥ 10⁶ MΩ
 TEST VOLTAGE (rms) : 1000V

MECHANICAL DATA

INSERTION FORCE PER CONTACT : ≤ 0.94N
 EXTRACTION FORCE PER CONTACT : ≥ 0.15N
 REFERENCE SPECIFICATIONS : DIN 41612 / IEC 603-2

SERIES	8609	3	48	8	1	15	7	5	8	000E1
ROWS FITTED WITH CONTACTS		3	48							
Rows a b c		3	48							
Rows a - c		4	32							
NUMBER OF CONTACTS										
TYPE OF INSULATOR										
3 ROW FEMALE INSULATOR										8
METHOD OF MOUNTING										
STANDARD MOUNTING - STYLE C										1
TERMINATION										
WIRE WRAP (L = SEE TABLE)										45
WIRE WRAP (L = SEE TABLE)										35
WIRE WRAP (L = SEE TABLE)										15
OPTIONS										
NO OPTION										7
PERFORMANCE CLASS										
DIN 41612 CLASS 3										4
DIN 41612 CLASS 2										5
DIN 41612 CLASS 1										6
AS PER MIL C 55302/ JSS 50808										8
PITCH PER ROW										
5.08										8
000E1										TIN LEAD VERSION
E1LF										LEAD FREE VERSION

NOTES:-

- THE "LF" PRODUCTS MEET EUROPEAN UNION DIRECTIVES AND OTHER COUNTRY REGULATIONS AS DESCRIBED IN GS-22-008
- THE HOUSING WILL WITHSTAND EXPOSURE TO 260°C PEAK TEMPERATURE FOR 3.5 SECONDS IN A WAVE SOLDER APPLICATION WITH A 1.6 MM MINIMUM THICK CIRCUIT BOARD
- LEAD FREE OR RoHS DIRECTIVE LABELING TO BE PROVIDED AS PER GS-14-920 FOR LEAD FREE VERSION.

mat'l. code		surface		tolerance		projection		product family	
-		ISO 1302		ISO 406 ISO 1101				8609	
litr		ecn no		dr		date		title	
A		I05-0107		MINI		19/05/2005		DIN STANDARD RECEPTACLE	
B		I06-0064		MINI		01/06/2006		WIRE WRAP DIN 41612 STYLE-C	
								scale -	
								dwg no	
								sheet 1 of 1	
								size	
								A3	
								type	
								Product Customer Drawing	
sheet index		revision		B					
		sheet		1					