



Chipsmall Limited consists of a professional team with an average of over 10 year of expertise in the distribution of electronic components. Based in Hongkong, we have already established firm and mutual-benefit business relationships with customers from,Europe,America and south Asia,supplying obsolete and hard-to-find components to meet their specific needs.

With the principle of “Quality Parts,Customers Priority,Honest Operation,and Considerate Service”,our business mainly focus on the distribution of electronic components. Line cards we deal with include Microchip,ALPS,ROHM,Xilinx,Pulse,ON,Everlight and Freescale. Main products comprise IC,Modules,Potentiometer,IC Socket,Relay,Connector.Our parts cover such applications as commercial,industrial, and automotives areas.

We are looking forward to setting up business relationship with you and hope to provide you with the best service and solution. Let us make a better world for our industry!



Contact us

Tel: +86-755-8981 8866 Fax: +86-755-8427 6832

Email & Skype: info@chipsmall.com Web: www.chipsmall.com

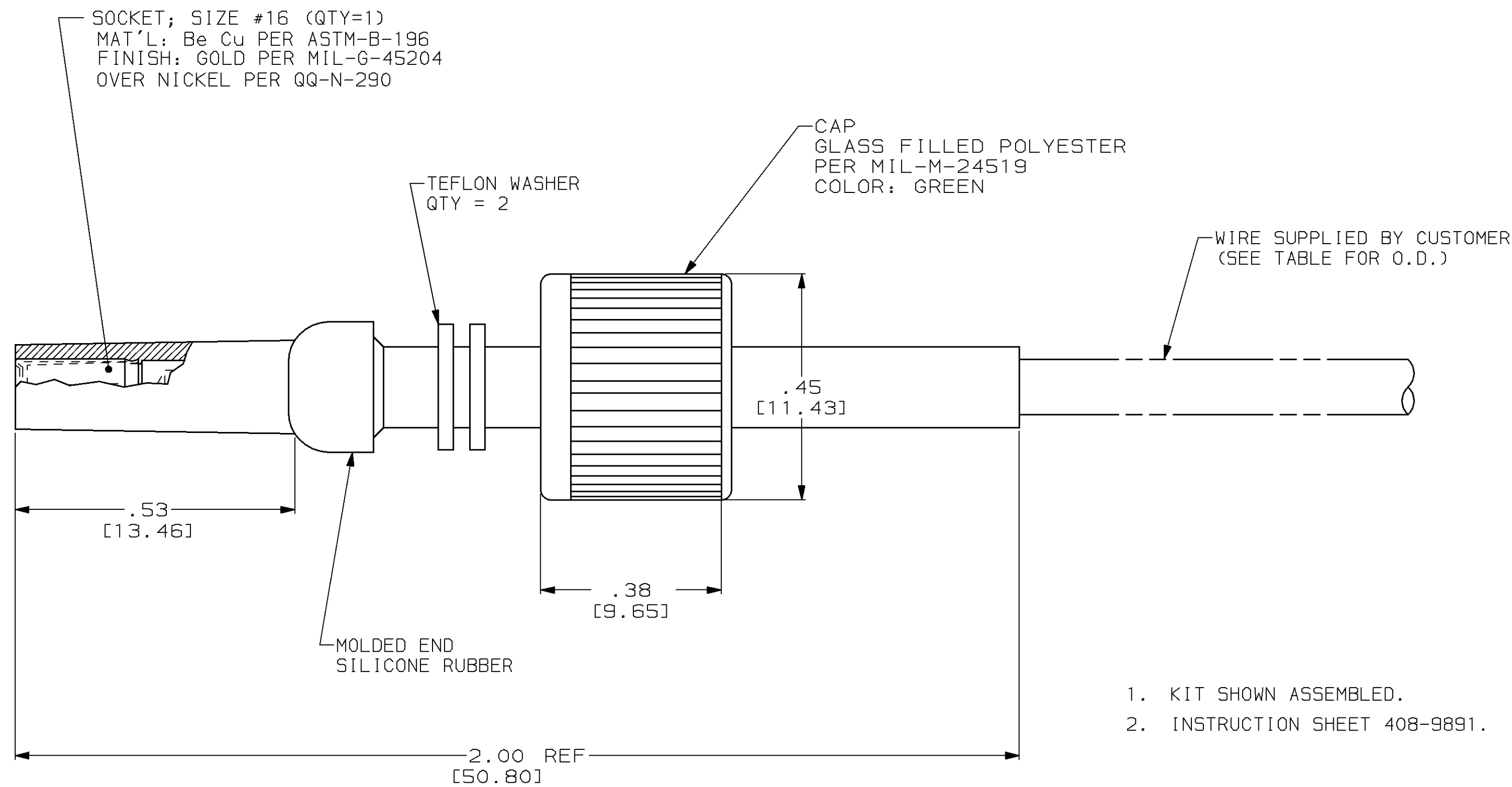
Address: A1208, Overseas Decoration Building, #122 Zhenhua RD., Futian, Shenzhen, China



THIS DRAWING IS UNPUBLISHED. RELEASED FOR PUBLICATION
 © COPYRIGHT 19 BY AMP INCORPORATED. ALL INTERNATIONAL RIGHTS RESERVED.

PROD CODE	LOC	DIST	P	F	ZONE	LTR	DESCRIPTION	DATE	APPD
4092	DF	SO				E	REV 0600-0678-93 TT	09-93	SG
						F	REV PER 0600-4150-95 CT	8-95	DE
						G	REV PER 0600-6380-97 TT	09-97	SG

PART NO.	WIRE SIZE
861076-1	.107/.113 [2.72/2.87] O.D. TEFLON WIRE
861076-2	.081/.087 [2.06/2.21] O.D. TEFLON WIRE



1. KIT SHOWN ASSEMBLED.
2. INSTRUCTION SHEET 408-9891.

DO NOT SCALE PRINT. UNLESS SPECIFIED DIMENSIONS IN INCHES [mm] TOLERANCES ON : 2 PLC DEC ± .02 [0.5] 3 PLC DEC ± .005 [0.127] ANGLES ± -	DR 09-02-93 THOMPSON	AMP AMP INCORPORATED Harrisburg, Pa. 17105		
	CHK 10-20-93 S. GLATFELTER			
	APPD 10-20-93 S. GLATFELTER	LGH 1/2 REPAIR KIT		
	APPD 10-20-93 S. GLATFELTER			
MATERIAL -	PRODUCT SPEC -	SIZE C	CAGE CODE 00779	DRAWING NO 861076
FINISH -	APPLICATION SPEC -	SCALE 5:1	SHEET 1 OF 1	
	WEIGHT -			

861076