



Chipsmall Limited consists of a professional team with an average of over 10 year of expertise in the distribution of electronic components. Based in Hongkong, we have already established firm and mutual-benefit business relationships with customers from,Europe,America and south Asia,supplying obsolete and hard-to-find components to meet their specific needs.

With the principle of “Quality Parts,Customers Priority,Honest Operation,and Considerate Service”,our business mainly focus on the distribution of electronic components. Line cards we deal with include Microchip,ALPS,ROHM,Xilinx,Pulse,ON,Everlight and Freescale. Main products comprise IC,Modules,Potentiometer,IC Socket,Relay,Connector.Our parts cover such applications as commercial,industrial, and automotives areas.

We are looking forward to setting up business relationship with you and hope to provide you with the best service and solution. Let us make a better world for our industry!



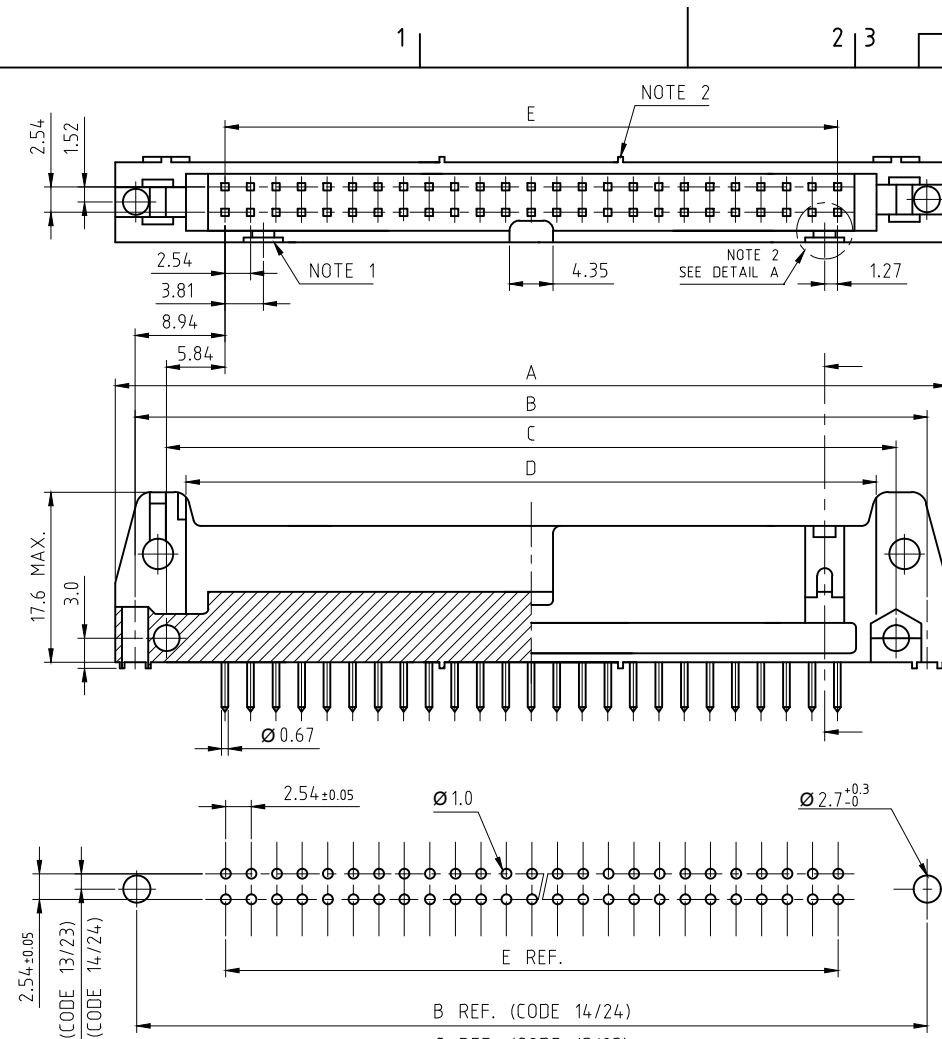
Contact us

Tel: +86-755-8981 8866 Fax: +86-755-8427 6832

Email & Skype: info@chipsmall.com Web: www.chipsmall.com

Address: A1208, Overseas Decoration Building, #122 Zhenhua RD., Futian, Shenzhen, China





DIMENSION	LOCKING LEVER	
	SHORT	LONG
X Max.	25.30	28.0
Y Max.	11.30	15.0
Z	9.0	10.5

POS.	DIMENSION				
	A ^{+0.25} _{-0.16}	B ^{+0.10} _{-0.18}	C±0.1	D ^{+0.13} ₋₀	E ^{+0.05} _{-0.27}
10	32.00	27.94	21.84	17.91	10.16
14	37.08	33.02	26.92	22.99	15.24
16	39.62	35.56	29.46	25.53	17.78
20	44.70	40.64	34.54	30.61	22.86
24	49.78	45.72	39.62	35.69	27.94
26	52.32	48.26	42.16	38.23	30.48
30	57.40	53.34	47.24	43.31	35.56
34	62.48	58.42	52.32	48.39	40.64
40	70.10	66.04	59.94	56.01	48.26
50	82.80	78.74	72.64	68.71	60.96
60	95.50	91.44	85.34	81.41	73.66
64	100.58	96.52	90.42	86.49	78.74

TECHNICAL SPECIFICATION

HOUSING MATERIAL : THERMOPLASTIC POLYESTER UL94V0; GREY / BLACK ON REQUEST

HOUSING CAN WITHSTAND EXPOSURE TO LEAD FREE WAVE SOLDERING TEMPERATURE OF 260-265°C FOR STRAIGHT CONNECTORS AS IT IS USED IN CLASSICAL LEAD WAVE SOLDERING AT 235-250°C FOR ANGLE CONNECTORS, PROTECTIVE ADHESIVE OR PROTECTIVE METALLIC DEVICE IS TO BE USED AS IN CLASSICAL LEAD WAVE SOLDERING AT 235-250°C

CONTACT MATERIAL : COPPER ALLOY

CONTACT PLATING

ACTIVE ZONE : Au OR EQUIVALENT (Au OVER PALLADIUM NICKEL) OVER Ni.

TERMINATION ZONE : Sn (PURE MATTE) OVER Ni

CURRENT RATING : 1.5A AT 20°C

INSULATION RESISTANCE : 5000MΩ AT 100V

CONTACT RESISTANCE : 20mΩ

DIELECTRIC WITHSTANDING VOLTAGE : 1000Vrms

WORKING VOLTAGE : 250Vrms

OPERATING TEMPERATURE : -55°C TO +125°C

REFERENCE SPECIFICATION : IEC 603-13 / DIN 41651

NOTES

- LEFT POLARISATION IS NOT PROVIDED FOR 10 & 14 POSITIONS.
- RIGHT POLARISATION IS NOT PROVIDED FOR 10 POSITION, INSTEAD PROJECTION AS SHOWN IN DETAIL-A WILL BE PROVIDED.
- INTERMEDIATE LEGS ARE PROVIDED ONLY ABOVE 20 POSITION.
- THE "LF" PRODUCTS MEET EUROPEAN UNION DIRECTIVES AND OTHER COUNTRY REGULATIONS AS DESCRIBED IN GS-22-008.
- THE HOUSING WILL WITHSTAND EXPOSURE TO 260°C PEAK TEMPERATURE FOR 3.5 SECONDS IN A WAVE SOLDER APPLICATION WITH A 1.6 MM MINIMUM THICK CIRCUIT BOARD.
- LEAD FREE OR RoHS DIRECTIVE LABELING TO BE PROVIDED AS PER GS-14-920

SERIES 8613 010 2 1 14 3 4 5 E1LF

No. OF CONTACTS
010,014,016,020,024,026,030,034,040,050,060,064

TYPE OF INSULATOR
HEADER WITH CENTRAL POLARISATION FOR ALL POSITIONS ----- 2
HEADER 10 POSITION WITH CENTRAL POLARISATION & INSIDE PROJECTION ----- 8

METHOD OF MOUNTING
WITHOUT LEVERS ----- 0
WITH LONG BLACK LEVERS ----- 1
WITH SHORT BLACK LEVERS ----- 2
WITH LONG GREY LEVERS ----- 3
WITH SHORT GREY LEVERS ----- 4

TERMINATION STYLE
STRAIGHT SPILL LONG (L = 4.35±0.35mm) ----- 14
STRAIGHT SPILL SHORT (L = 2.9±0.2mm) ----- 24
ANGLED SPILL LONG (L = 4.2±0.35mm) ----- 13
ANGLED SPILL SHORT (L = 2.8±0.2mm) ----- 23

HOUSING MATERIAL
PBT GREY ----- 3
PBT BLACK ----- 2

PERFORMANCE CLASS
DIN 41651 CLASS 3 ----- 4
DIN 41651 CLASS 2 ----- 5
DIN 41651 CLASS 1 ----- 6
AS PER JSS 50810 ----- 8

LONGITUDINAL PITCH
2.54 mm ----- 5
5.08 mm ----- 8

SPECIAL CODE
LEAD FREE VERSION ----- E1LF

mat'l. code SEE TECH. SPEC.		surface ISO 1302 ✓		tolerance ISO 406 ISO 1101		projection mm		product family 8613	
ltr	ecn no	dr	date	tolerances unless otherwise specified		mm		title HEADERS STRAIGHT & ANGLED SPILL, TMT VERSION	
B	106-0066	MINI	2006-06-01	angles	linear	.0±.1		dwg no C-8613-0041	
C	107-0132	KR	2007-10-05	0°±1°		scale 3:2		sheet 1 of 1 size A3	
D	108-0094	KR	2008-7-28	2001-12-18		FCJ		type Product Customer Drawing	
E	108-0145	JS	2008-10-18	dr	MINI K V	2001-12-18			
F	111-0193	GT	2011-12-20	enrg	RAKHEE GEORGE	2001-12-18			
G	BLX-14380	MJM	2013-03-08	chr	GREGAR MATHEW	2016-03-31			
H	BLX-123881	GM	2016-03-31	appd	BIJU K PAUL	2016-03-31			
sheet index	revision	G1.1							
	sheet	1							

Copyright FCJ
FCconnect.com