



Chipsmall Limited consists of a professional team with an average of over 10 year of expertise in the distribution of electronic components. Based in Hongkong, we have already established firm and mutual-benefit business relationships with customers from,Europe,America and south Asia,supplying obsolete and hard-to-find components to meet their specific needs.

With the principle of “Quality Parts,Customers Priority,Honest Operation,and Considerate Service”,our business mainly focus on the distribution of electronic components. Line cards we deal with include Microchip,ALPS,ROHM,Xilinx,Pulse,ON,Everlight and Freescale. Main products comprise IC,Modules,Potentiometer,IC Socket,Relay,Connector.Our parts cover such applications as commercial,industrial, and automotives areas.

We are looking forward to setting up business relationship with you and hope to provide you with the best service and solution. Let us make a better world for our industry!



Contact us

Tel: +86-755-8981 8866 Fax: +86-755-8427 6832

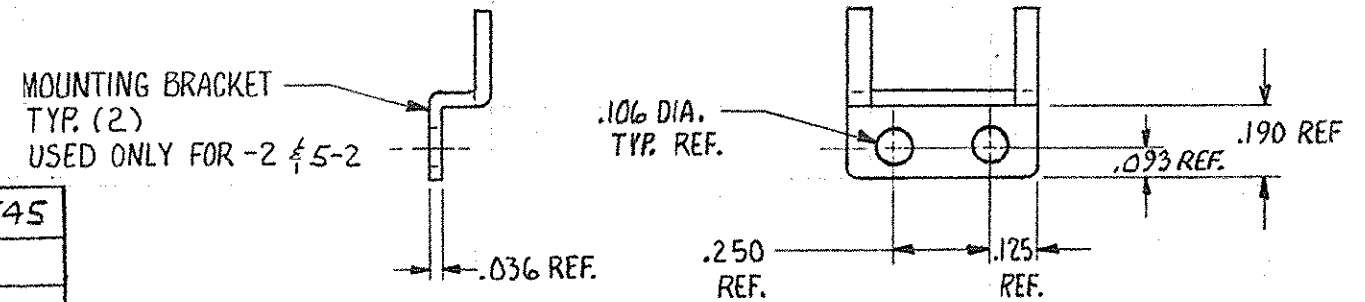
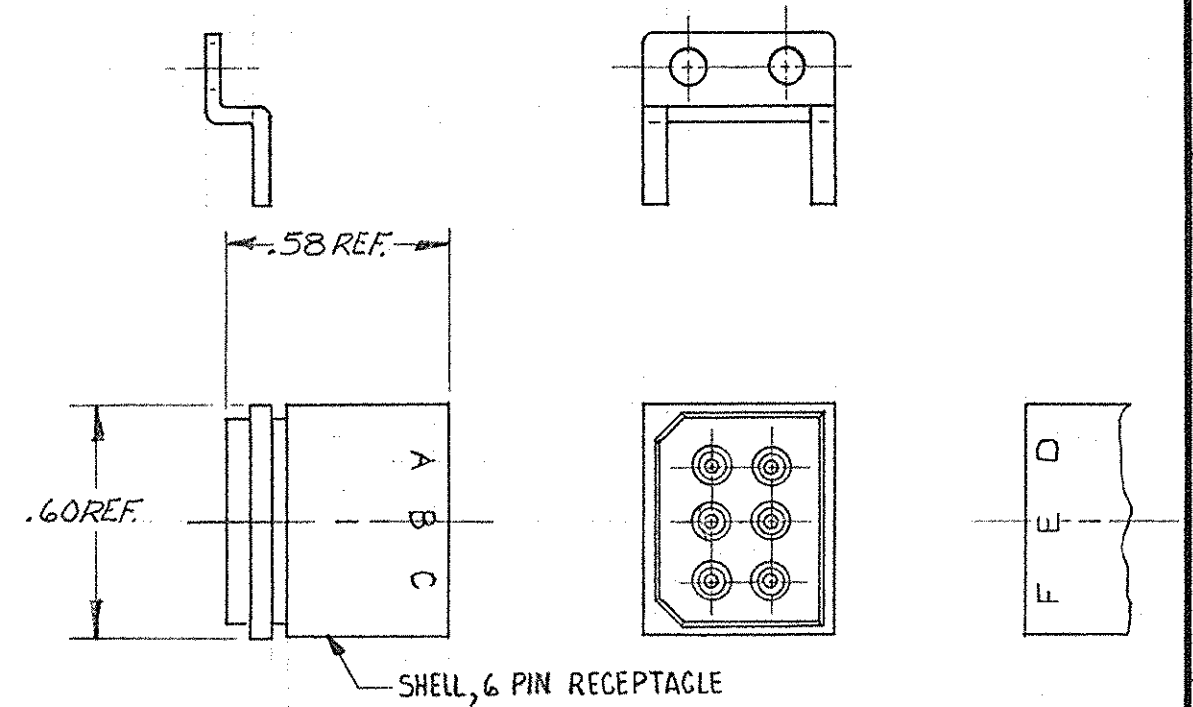
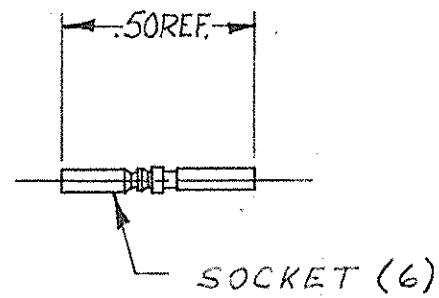
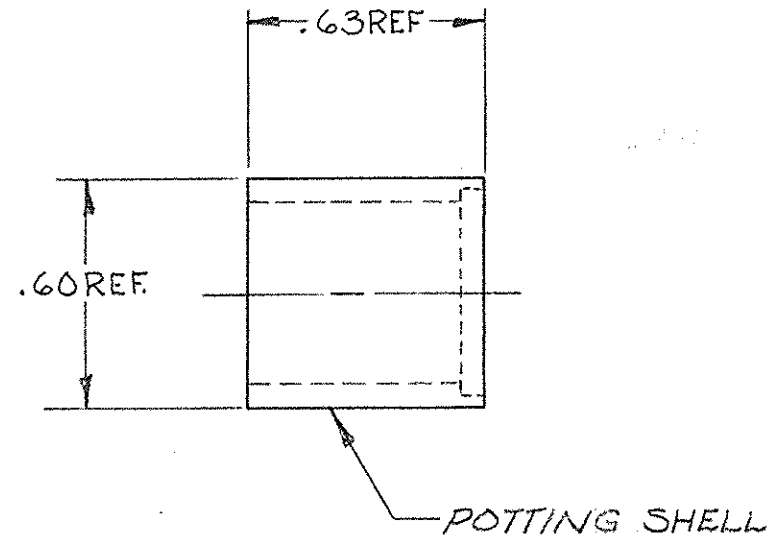
Email & Skype: info@chipsmall.com Web: www.chipsmall.com

Address: A1208, Overseas Decoration Building, #122 Zhenhua RD., Futian, Shenzhen, China



© COPYRIGHT 1974 BY AMP INCORPORATED, HARRISBURG, PA.
 ALL INTERNATIONAL RIGHTS RESERVED. AMP INCORPORATED PRODUCTS
 COVERED BY U.S. AND FOREIGN PATENTS AND/OR PATENTS PENDING.

REVISIONS						
P	F	ZONE	LTR	DESCRIPTION	DATE	APPROVED
			B	REV. & REDRAWN	CK 5-8-74	JPA
	✓		C	ADDED -2	D.S. 2-27-75	JPA
			D	REV PER 0H14-0192-05	1-06	PY



5-861393-2	WITH MOUNTING BRACKETS TIN PLATED PER ASTM-B-545
861393-2	WITH MOUNTING BRACKETS 93/7 TIN-LEAD PLATED
861393-1	W/O MOUNTING BRACKETS
PART NO.	DESCRIPTION

1. CAVITY LETTERS MARKED IN WHITE INK.
 2. SEE 862091-1 FOR ASS'Y INSTRUCTIONS.

				UNLESS OTHERWISE SPECIFIED DIMENSIONS ARE IN INCHES. TOLERANCES: .00 ± .000 ± ANGLES ±		CONTRACT NO DR C. KUSTER 5-8-74		AMP INCORPORATED Elizabethtown, Pa.	
				MATERIAL		CHK		NAME RECEPTACLE ASS'Y KIT LGH	
				FINISH		APPD J. Colman 5-9-74		SIZE B	
NEXT ASSY		FINAL ASSY		NEXT ASSY		OTHER APPD		CODE IDENT NO 00779	
QTY REQD		APPLICATION						NUMBER 861393	
								SCALE 2:1	
								SHEET 1 OF 1	