



Chipsmall Limited consists of a professional team with an average of over 10 year of expertise in the distribution of electronic components. Based in Hongkong, we have already established firm and mutual-benefit business relationships with customers from,Europe,America and south Asia,supplying obsolete and hard-to-find components to meet their specific needs.

With the principle of “Quality Parts,Customers Priority,Honest Operation,and Considerate Service”,our business mainly focus on the distribution of electronic components. Line cards we deal with include Microchip,ALPS,ROHM,Xilinx,Pulse,ON,Everlight and Freescale. Main products comprise IC,Modules,Potentiometer,IC Socket,Relay,Connector.Our parts cover such applications as commercial,industrial, and automotives areas.

We are looking forward to setting up business relationship with you and hope to provide you with the best service and solution. Let us make a better world for our industry!



Contact us

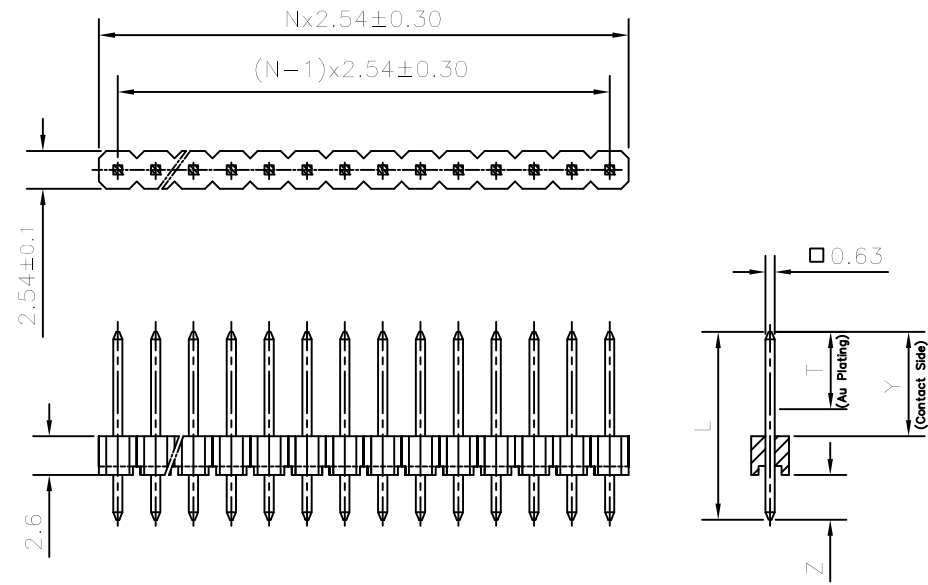
Tel: +86-755-8981 8866 Fax: +86-755-8427 6832

Email & Skype: info@chipsmall.com Web: www.chipsmall.com

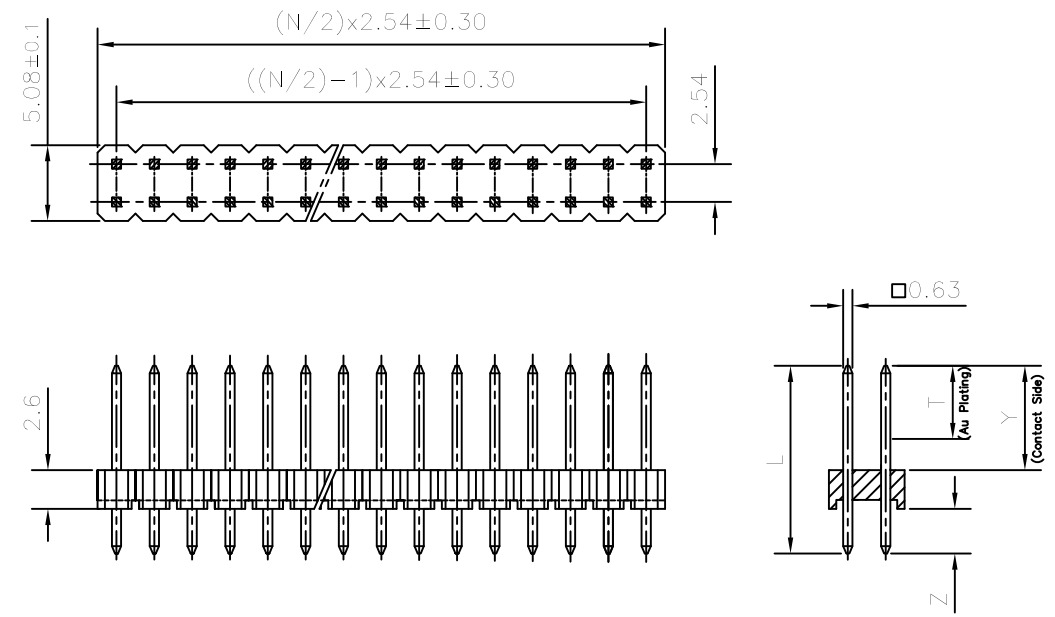
Address: A1208, Overseas Decoration Building, #122 Zhenhua RD., Futian, Shenzhen, China



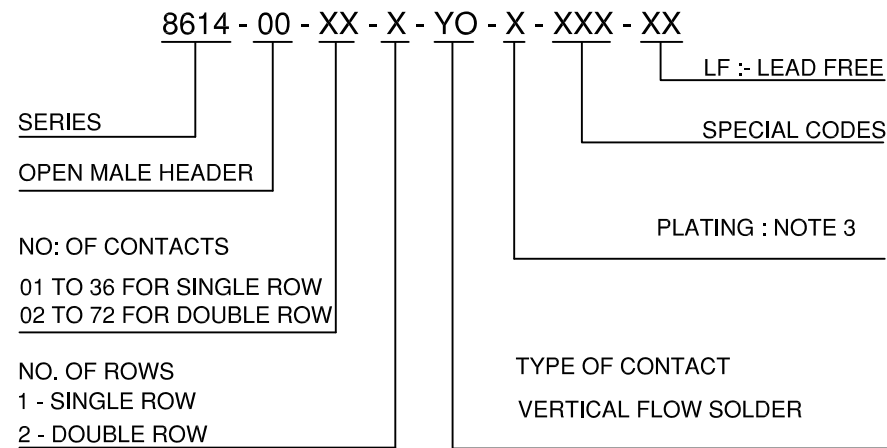
SINGLE ROW



DOUBLE ROW



ORDERING INFORMATION



| | | | | | |
|--------|-----------------------|------|------------|-------|-------|
| 13 | 8614-00-XX-X-YO-X-313 | 4.5 | 21.0 | 5.7 | 12.76 |
| 12 | 8614-00-XX-X-YO-X-314 | 5.8 | 19.6 | 7.0 | 10.06 |
| 11 | 8614-00-XX-X-YO-X-315 | 4.5 | 18.3 | 5.7 | 10.06 |
| 10 | 8614-00-XX-X-YO-X-316 | 4.5 | 15.8 | 5.7 | 7.56 |
| 09 | 8614-00-XX-X-YO-X-317 | 4.8 | 13.5 | 6.0 | 4.96 |
| 08 | 8614-00-XX-X-YO-X-318 | 14.2 | 21.0 | 15.4 | 3.06 |
| 07 | 8614-00-XX-X-YO-X-319 | 4.6 | 11.9 | 5.8 | 3.46 |
| 06 | 8614-00-XX-X-YO-X-320 | 4.2 | 18.3 | 12.7 | 3.06 |
| 05 | 8614-00-XX-X-YO-X-321 | 5.5 | 12.5 | 6.7 | 3.26 |
| 04 | 8614-00-XX-X-YO-X-322 | 5.8 | 12.5 | 7.0 | 2.96 |
| 03 | 8614-00-XX-X-YO-X-323 | 4.6 | 11.3 | 5.8 | 2.96 |
| 02 | 8614-00-XX-X-YO-X-324 | 7.3 | 13.5 | 8.5 | 2.46 |
| 01 | 8614-00-XX-X-YO-X-325 | 4.5 | 10.8 | 5.7 | 2.56 |
| SL No. | OEN PART NO: | T | L±0.3 | Y±0.2 | Z±0.2 |
| | | | DIMENSIONS | | |

NOTES:

- THE REMAINING AREA ON THE CONTACT SIDE FOLLOWING THE DIMENSION 'T' SHOULD BE PLATED WITH GOLD FLASH
- THE PRODUCT (LF) MEETS EUROPEAN UNION DIRECTIVES AND OTHER COUNTRY REGULATIONS AS DESCRIBED IN GS-47-004
- FOR PLATING DETAILS AND TECHNICAL SPECIFICATION REFER DRAWING : C-8614-0000

| | | | | | | | | | |
|-------------|--|----------------|--|------------------|--|---------------------------------------|--|-------------------------------|--|
| mat'l. code | | surface | | tolerance | | projection | | product family | |
| NOTE 3 | | ISO 1302 | | ISO 406 ISO 1101 | | MM | | 8614 | |
| ltr | | ecn no | | date | | tolerances unless otherwise specified | | title | |
| A | | 106-0179 | | AB 2006-08-29 | | .0±0.3 | | 8614 OPEN HEADER | |
| B | | 108-0006 | | MINI 2008-01-17 | | .00±0.1 | | (STRAIGHT SPILL) | |
| C | | 109-0184 | | GT 2009-09-05 | | ±1° | | dwg no | |
| D | | 110-0077 | | GT 2010-03-22 | | MINI K V | | sheet 1 of 1 | |
| E | | 110-0136 | | GT 2010-06-23 | | enr GEORGE V JOSEPH | | size | |
| F | | ELX-1-16863 | | GM 2014-01-27 | | chr GREGAR.MATHEW | | A3 | |
| | | | | | | appd BIJU K PAUL | | 2013-02-05 | |
| sheet index | | revision sheet | | E 1 | | FCI | | type Product Customer Drawing | |