



Chipsmall Limited consists of a professional team with an average of over 10 year of expertise in the distribution of electronic components. Based in Hongkong, we have already established firm and mutual-benefit business relationships with customers from,Europe,America and south Asia,supplying obsolete and hard-to-find components to meet their specific needs.

With the principle of “Quality Parts,Customers Priority,Honest Operation,and Considerate Service”,our business mainly focus on the distribution of electronic components. Line cards we deal with include Microchip,ALPS,ROHM,Xilinx,Pulse,ON,Everlight and Freescale. Main products comprise IC,Modules,Potentiometer,IC Socket,Relay,Connector.Our parts cover such applications as commercial,industrial, and automotives areas.

We are looking forward to setting up business relationship with you and hope to provide you with the best service and solution. Let us make a better world for our industry!



Contact us

Tel: +86-755-8981 8866 Fax: +86-755-8427 6832

Email & Skype: info@chipsmall.com Web: www.chipsmall.com

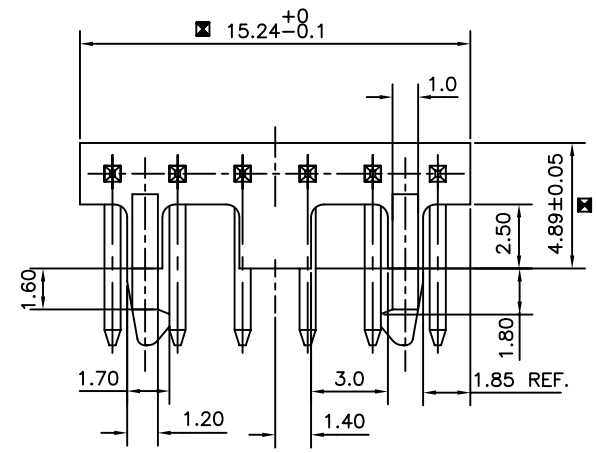
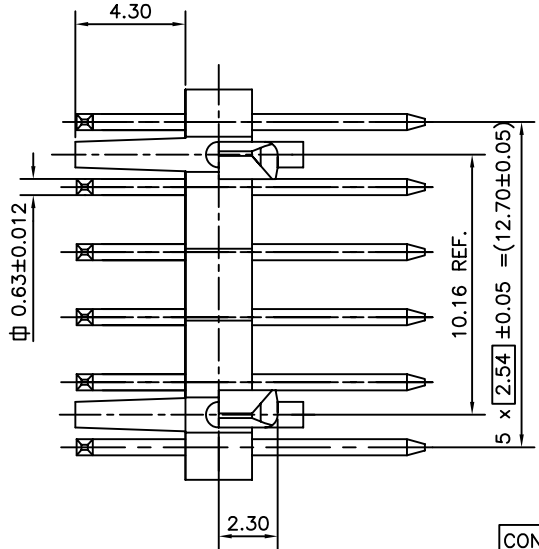
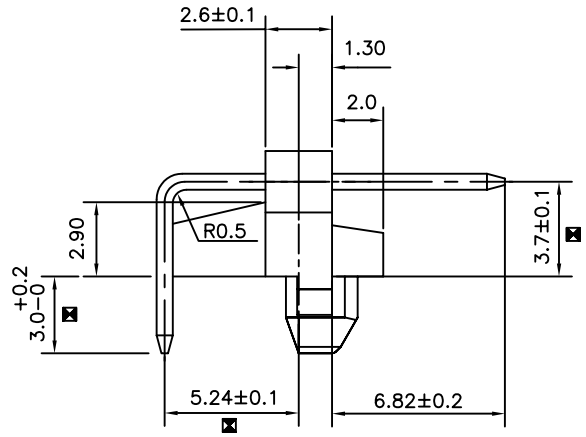
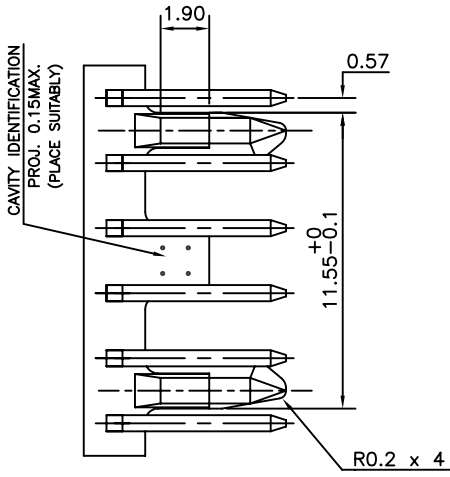
Address: A1208, Overseas Decoration Building, #122 Zhenhua RD., Futian, Shenzhen, China





FCconnect.com

Copyright FCI



NOTE

1. RETENTION FORCE PER CONTACT IS 20 N MIN.
2. LENGTH OF CONTACT TO BE USED IS 19.90±0.1
3. SIGNIFICANT CHARACTERISTIC
4. PLATING: 3-5µ Sn/SnPb Ni UNDERCOAT 1.27µ .
5. THE PRODUCT (LF) MEETS EUROPEAN UNION DIRECTIVES AND OTHER COUNTRY REGULATIONS AS DESCRIBED IN GS-22-008

CONNECTOR PART NO :- 8614-00-06-1-LO-1-LK2-XX

LF :-LEAD FREE

mat'l. code		surface		tolerance		projection		product family	
REF TECH SPEC		ISO 1302		ISO 406 ISO 1101				8614	
ltr		ecn no		dr		date		title	
C		I06-0124		MKV		2003-06-20		6-PIN A/S HEADER ASSEMBLY	
D		I06-0116		AB		2006-07-20		scale	
								MM	
								scale -	
								dwg no	
								sheet 1 of 1	
								size	
								A3	
								type	
								Product Customer Drawing	
sheet index		revision sheet		C		D			
				1		1			