



Chipsmall Limited consists of a professional team with an average of over 10 year of expertise in the distribution of electronic components. Based in Hongkong, we have already established firm and mutual-benefit business relationships with customers from,Europe,America and south Asia,supplying obsolete and hard-to-find components to meet their specific needs.

With the principle of “Quality Parts,Customers Priority,Honest Operation,and Considerate Service”,our business mainly focus on the distribution of electronic components. Line cards we deal with include Microchip,ALPS,ROHM,Xilinx,Pulse,ON,Everlight and Freescale. Main products comprise IC,Modules,Potentiometer,IC Socket,Relay,Connector.Our parts cover such applications as commercial,industrial, and automotives areas.

We are looking forward to setting up business relationship with you and hope to provide you with the best service and solution. Let us make a better world for our industry!



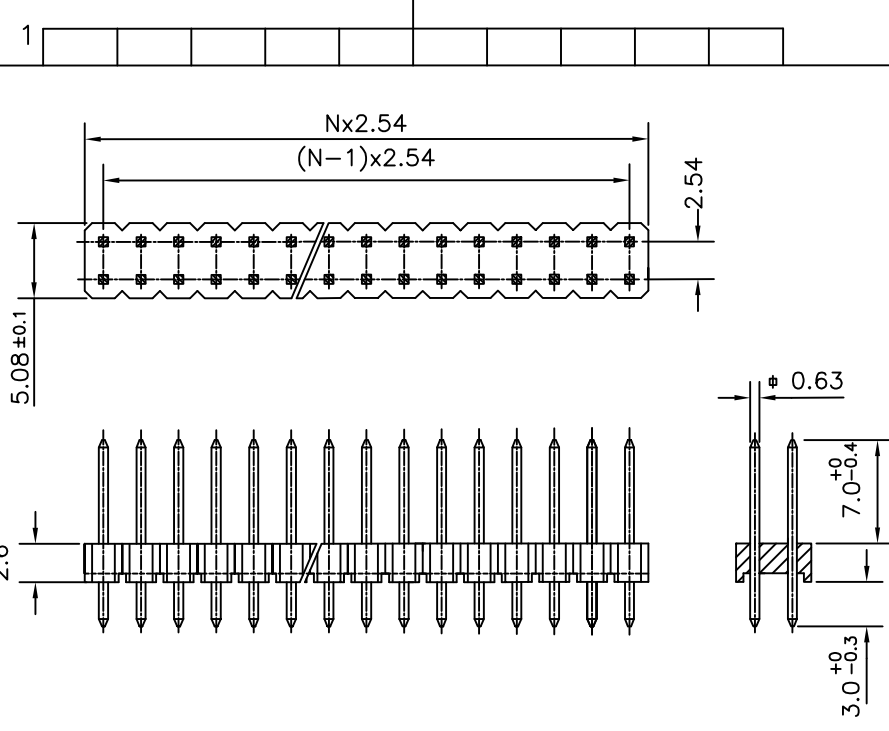
Contact us

Tel: +86-755-8981 8866 Fax: +86-755-8427 6832

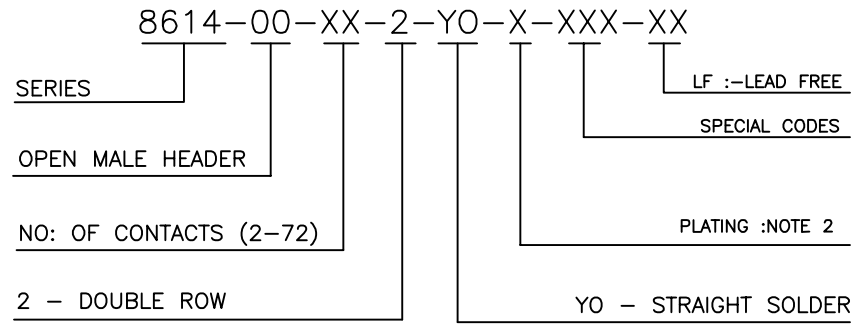
Email & Skype: info@chipsmall.com Web: www.chipsmall.com

Address: A1208, Overseas Decoration Building, #122 Zhenhua RD., Futian, Shenzhen, China





ORDERING INFORMATION



Notes:

- 1, THE PRODUCT (LF) MEETS EUROPEAN UNION DIRECTIVES AND OTHER COUNTRY REGULATIONS AS DESCRIBED IN GS-22-008
2. FOR PLATING DETAILS AND TECHNICAL SPECIFICATION REFER DRAWING : C-8614-0000



Copyright FCI

mat'l. code NOTE 2				surface ISO 1302 <input checked="" type="checkbox"/>		tolerance ISO 406 ISO 1101		projection 		product family 8614			
ltr	ecn no	dr	date	tolerances unless otherwise specified						title OPEN HEADER (DUAL ROW STRAIGHT SOLDER)			
B	106-0116	AB	2006-07-13	angles	linear	.0±0.2		MM		scale - dwg no sheet 1 of 1 size C-8614-0086 A4 type Product Customer Drawing			
C	108-0006	MINI	2008-01-17			.00±0.1							
D	110-0093	GT	2010-04-13			0°±1°							
E	110-0136	GT	2010-06-23	dr	MINI K VANDANATH	1998-12-06							
				engr	JAI.K.A	1998-12-06							
				chr	ALEX BABU	2008-01-17							
				appd	BIJU K PAUL	2008-01-17							
sheet index	revision sheet	E	1										