



Chipsmall Limited consists of a professional team with an average of over 10 year of expertise in the distribution of electronic components. Based in Hongkong, we have already established firm and mutual-benefit business relationships with customers from,Europe,America and south Asia,supplying obsolete and hard-to-find components to meet their specific needs.

With the principle of "Quality Parts,Customers Priority,Honest Operation,and Considerate Service",our business mainly focus on the distribution of electronic components. Line cards we deal with include Microchip,ALPS,ROHM,Xilinx,Pulse,ON,Everlight and Freescale. Main products comprise IC,Modules,Potentiometer,IC Socket,Relay,Connector.Our parts cover such applications as commercial,industrial, and automotives areas.

We are looking forward to setting up business relationship with you and hope to provide you with the best service and solution. Let us make a better world for our industry!



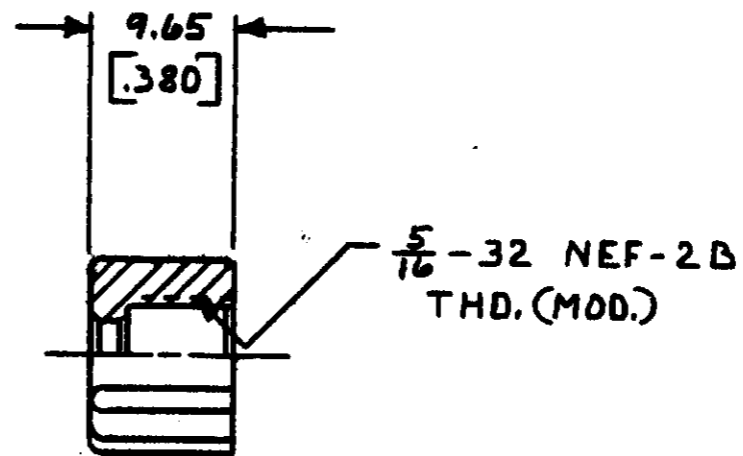
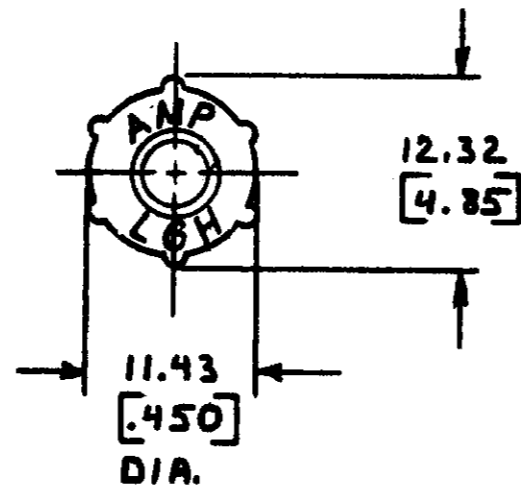
Contact us

Tel: +86-755-8981 8866 Fax: +86-755-8427 6832

Email & Skype: info@chipsmall.com Web: www.chipsmall.com

Address: A1208, Overseas Decoration Building, #122 Zhenhua RD., Futian, Shenzhen, China





861403-7 1. AS SHOWN

DIMENSIONS IN [] ARE IN INCHES

METRIC

UNLESS OTHERWISE SPECIFIED DIMENSIONS ARE IN INCHES. TOLERANCES ON: DECIMALS ± <u> </u> ANGLES ± <u> </u>		CONTRACT NO. <u>DR J. ZEIDERS 12-20-83</u>		PART NO	
MATERIAL THERMOPLASTIC		CHK		AMP AMP INCORPORATED Harrisburg, Pa.	
FINISH <u> </u>		APPD <u>C. D. Hoover 12/20/83</u>			
OTHER APPD		DSGN APPD		SIZE B	FSCM NO 00779
		OTHER APPD		DRAWING NO 861403	
				SCALE <u> </u>	SHEET 1 of 1