



Chipsmall Limited consists of a professional team with an average of over 10 year of expertise in the distribution of electronic components. Based in Hongkong, we have already established firm and mutual-benefit business relationships with customers from,Europe,America and south Asia,supplying obsolete and hard-to-find components to meet their specific needs.

With the principle of “Quality Parts,Customers Priority,Honest Operation,and Considerate Service”,our business mainly focus on the distribution of electronic components. Line cards we deal with include Microchip,ALPS,ROHM,Xilinx,Pulse,ON,Everlight and Freescale. Main products comprise IC,Modules,Potentiometer,IC Socket,Relay,Connector.Our parts cover such applications as commercial,industrial, and automotives areas.

We are looking forward to setting up business relationship with you and hope to provide you with the best service and solution. Let us make a better world for our industry!



## Contact us

Tel: +86-755-8981 8866 Fax: +86-755-8427 6832

Email & Skype: info@chipsmall.com Web: www.chipsmall.com

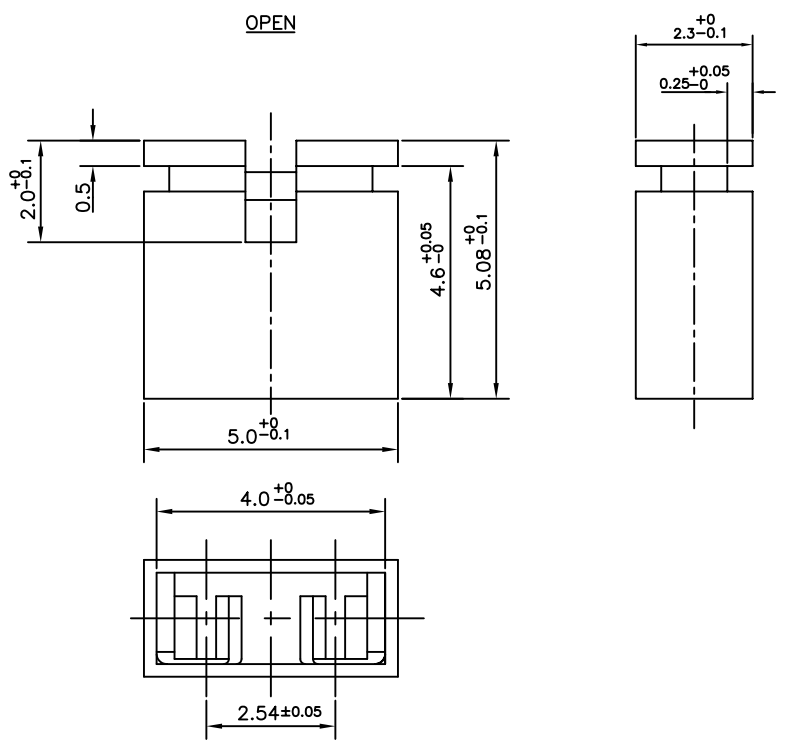
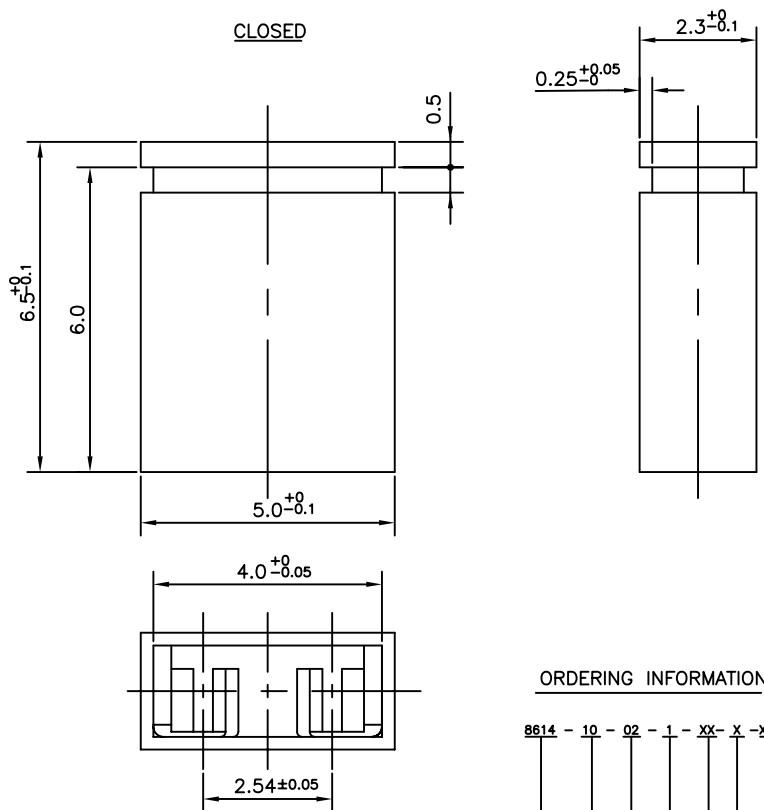
Address: A1208, Overseas Decoration Building, #122 Zhenhua RD., Futian, Shenzhen, China



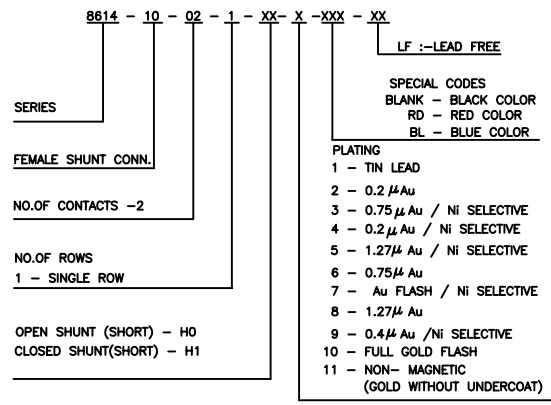


FCIconnect.com

Copyright FCI



### ORDERING INFORMATION



### TECHNICAL SPECIFICATION

INSULATOR MATERIAL : SELF EXTINGUISHING THERMOPLASTIC (UL94 V0)  
 CONTACT MATERIAL : COPPER ALLOY  
 MAXIMUM VOLTAGE : 500 V rms.  
 NOMINAL CURRENT : 3A AT 20°C  
 INSULATION RESISTANCE : > 1000 MΩ  
 CLIMATIC CATAGORY : -55°C TO +125°C / 21 DAYS EXPOSURE TO- INDUSTRIAL ENVIRONMENT HUMIDITY TEST AS HE-14.  
 CONTACT RESISTANCE : < 20mΩ

NOTES :  
 1. THE PRODUCT (LF) MEETS EUROPEAN UNION DIRECTIVES AND OTHER COUNTRY REGULATIONS AS DESCRIBED IN GS-22-008

mat'l. code		surface		tolerance		projection		product family	
REF TECH SPEC		ISO 1302		ISO 406 ISO 1101				8614	
ltr		ecn no		dr		date		title	
C		106-0124		MKV		2002-07-12		FEMALE SHORTING PLUG (OPEN & CLOSED)	
D		106-0126		MKV		2003-06-07		scale	
E		106-0127		MKV		2004-09-29		MM	
F		106-0116		AB		2006-07-20		scale -	
enr		JAIK.A		1998-12-06		enr		dwg no	
chr		ALEX BABU		2006-07-20		chr		sheet 1 of 1	
appd		BIJU K P		2006-07-20		appd		C-8614-0085	
sheet index		revision sheet		C		D		E	
1		1		1		1		A3	
2		3		4		5		6	