



Chipsmall Limited consists of a professional team with an average of over 10 year of expertise in the distribution of electronic components. Based in Hongkong, we have already established firm and mutual-benefit business relationships with customers from,Europe,America and south Asia,supplying obsolete and hard-to-find components to meet their specific needs.

With the principle of “Quality Parts,Customers Priority,Honest Operation,and Considerate Service”,our business mainly focus on the distribution of electronic components. Line cards we deal with include Microchip,ALPS,ROHM,Xilinx,Pulse,ON,Everlight and Freescale. Main products comprise IC,Modules,Potentiometer,IC Socket,Relay,Connector.Our parts cover such applications as commercial,industrial, and automotives areas.

We are looking forward to setting up business relationship with you and hope to provide you with the best service and solution. Let us make a better world for our industry!



Contact us

Tel: +86-755-8981 8866 Fax: +86-755-8427 6832

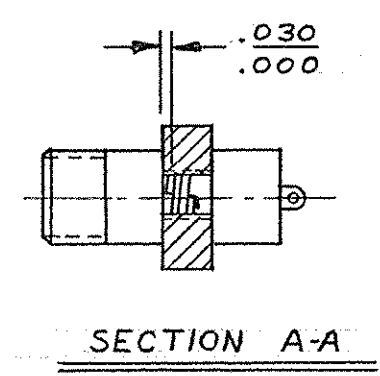
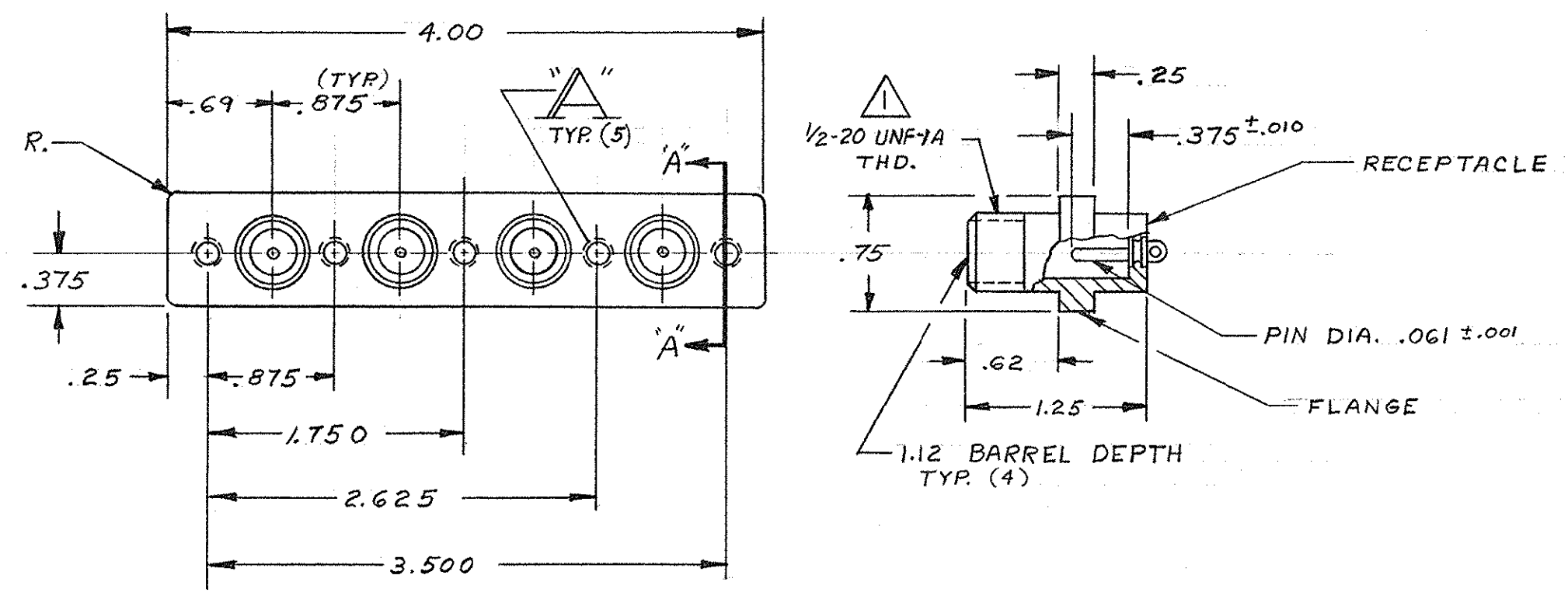
Email & Skype: info@chipsmall.com Web: www.chipsmall.com

Address: A1208, Overseas Decoration Building, #122 Zhenhua RD., Futian, Shenzhen, China




© COPYRIGHT 19 BY AMP INCORPORATED, HARRISBURG, PA. ALL INTERNATIONAL RIGHTS RESERVED. AMP INCORPORATED PRODUCTS COVERED BY U. S. AND FOREIGN PATENTS AND/OR PATENTS PENDING.

REVISIONS						
P	F	ZONE	LTR	DESCRIPTION	DATE	APPROVED
	✓		E	REDRAWN & UP-DATED ECN 8375 P.G.R.	8-27-78	M.G.
	✓		F	REV PER ECN S-3960	4-15-87	RB
			G	REV PER OH14-0192-05	1-06	PY



⚠ PER FEDERAL STANDARD H-28 3 WIRE METHOD. DIMENSION OVER WIRES TO BE: .497-.510.

#4-40 NON-LOCKING INSERT	AS SHOWN WITH TIN PLATED PIN	5-861485-1
*4-40 NON-LOCKING INSERT	AS SHOWN WITH GOLD PLATED PIN	861485-6
*4-40 NON-LOCKING INSERT	AS SHOWN WITH TIN-LEAD PLATED PIN	861485-5
.128 DIA. HOLE	AS SHOWN WITH GOLD PLATED PIN	861485-4
.128 DIA. HOLE	AS SHOWN WITH TIN-LEAD PLATED PIN	861485-3
*4-40 LOCKING INSERT	AS SHOWN WITH GOLD PLATED PIN	861485-2
*4-40 LOCKING INSERT	AS SHOWN WITH TIN-LEAD PLATED PIN	861485-1
A	DESCRIPTION	PART NO

UNLESS OTHERWISE SPECIFIED DIMENSIONS ARE IN INCHES. TOLERANCES: .00 ±.03 .000 ±.015 ANGLES ±				CONTRACT NO			
MATERIAL MOLDED GLASS EPOXY				DR D. MEYER 5/9/73			
FINISH BLACK				APPD M. GARDNER 5/10/73		DRAWING NO 861485	
NEXT ASSY		FINAL ASSY		DSGN APPD		SIZE C	
QTY REQD		APPLICATION		OTHER APPD		CODE IDENT NO 00779	
						SCALE ~	
						SHEET 10/1	