



Chipsmall Limited consists of a professional team with an average of over 10 year of expertise in the distribution of electronic components. Based in Hongkong, we have already established firm and mutual-benefit business relationships with customers from,Europe,America and south Asia,supplying obsolete and hard-to-find components to meet their specific needs.

With the principle of "Quality Parts,Customers Priority,Honest Operation,and Considerate Service",our business mainly focus on the distribution of electronic components. Line cards we deal with include Microchip,ALPS,ROHM,Xilinx,Pulse,ON,Everlight and Freescale. Main products comprise IC,Modules,Potentiometer,IC Socket,Relay,Connector.Our parts cover such applications as commercial,industrial, and automotives areas.

We are looking forward to setting up business relationship with you and hope to provide you with the best service and solution. Let us make a better world for our industry!



## Contact us

Tel: +86-755-8981 8866 Fax: +86-755-8427 6832

Email & Skype: info@chipsmall.com Web: www.chipsmall.com

Address: A1208, Overseas Decoration Building, #122 Zhenhua RD., Futian, Shenzhen, China



THIS DRAWING IS UNPUBLISHED.

RELEASED FOR PUBLICATION

ALL RIGHTS RESERVED.

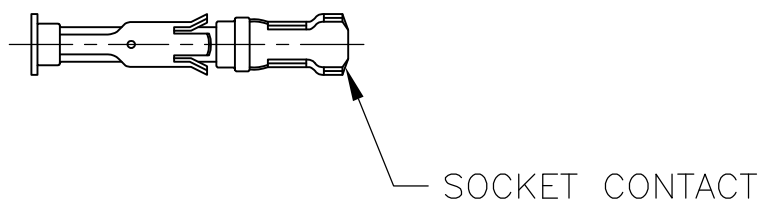
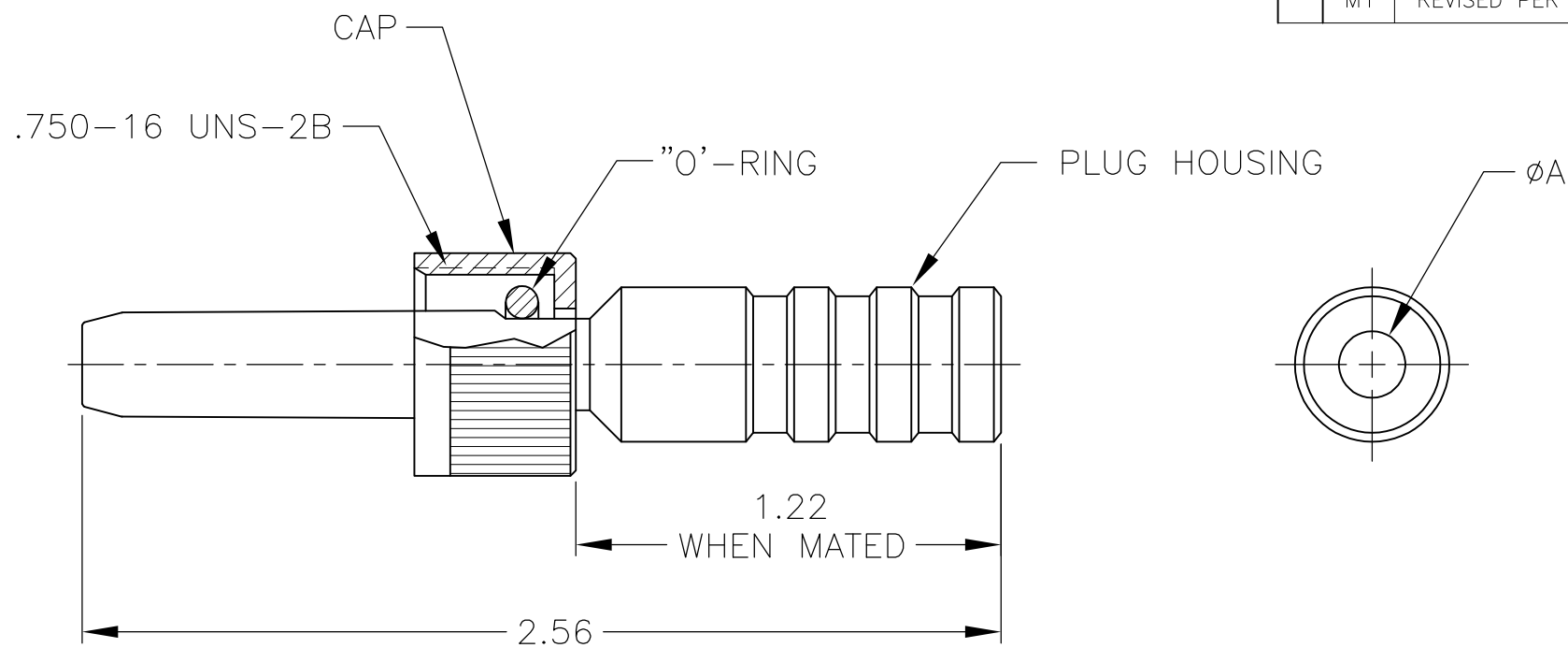
© COPYRIGHT - By -

LOC  
DF

DIST  
SO


REVISIONS

P	LTR	DESCRIPTION	DATE	DWN	APVD
	M1	REVISED PER ECO-11-005030	11MAR11	RK	HMR



	20-22 AWG	.302	1-66399-0	5-861610-4
	16-18 AWG	.185	1-66101-9	5-861610-3
	16-18 AWG	.302	1-66101-9	5-861610-2
	20-22 AWG	.185	1-66399-0	5-861610-1
OBSOLETE	14 AWG	.302	66360-2	861610-8
OBSOLETE	14 AWG	.185	66360-2	861610-7
	-	.302	-	861610-6
	-	.185	-	861610-5
	20-22 AWG	.302	66399-1	861610-4
	16-18 AWG	.185	66101-2	861610-3
	16-18 AWG	.302	66101-2	861610-2
	20-22 AWG	.185	66399-1	861610-1
	SOCKET WIRE SIZE	DIM A	SOCKET CONTACT TYPE III+ QTY = 1	PART NUMBER

1. MAX VOLTAGE AFTER PROPER ASSEMBLY: 20 KVDC
2. MATES WITH TYCO P/N'S: 861611, 861753 AND 862197.

THIS DRAWING IS A CONTROLLED DOCUMENT.		DWN C.C.THOMAS 11OCT04	 TE Connectivity				
DIMENSIONS: INCHES		CHK D.EABY 10-12-04					
TOLERANCES UNLESS OTHERWISE SPECIFIED:		APVD D.EABY 10-12-04	NAME KIT, HI-VOLTAGE PLUG, LGH				
0 PLC ± - 1 PLC ± - 2 PLC ± .01 3 PLC ± .005 4 PLC ± - ANGLES ± -		PRODUCT SPEC -	-				
MATERIAL -		APPLICATION SPEC -	SIZE A3	CAGE CODE 00779	DRAWING NO C-861610	RESTRICTED TO -	
FINISH -		WEIGHT -	CUSTOMER DRAWING		SCALE 2:1	SHEET 1 OF 1	REV M1