



Chipsmall Limited consists of a professional team with an average of over 10 year of expertise in the distribution of electronic components. Based in Hongkong, we have already established firm and mutual-benefit business relationships with customers from,Europe,America and south Asia,supplying obsolete and hard-to-find components to meet their specific needs.

With the principle of “Quality Parts,Customers Priority,Honest Operation,and Considerate Service”,our business mainly focus on the distribution of electronic components. Line cards we deal with include Microchip,ALPS,ROHM,Xilinx,Pulse,ON,Everlight and Freescale. Main products comprise IC,Modules,Potentiometer,IC Socket,Relay,Connector.Our parts cover such applications as commercial,industrial, and automotives areas.

We are looking forward to setting up business relationship with you and hope to provide you with the best service and solution. Let us make a better world for our industry!



Contact us

Tel: +86-755-8981 8866 Fax: +86-755-8427 6832

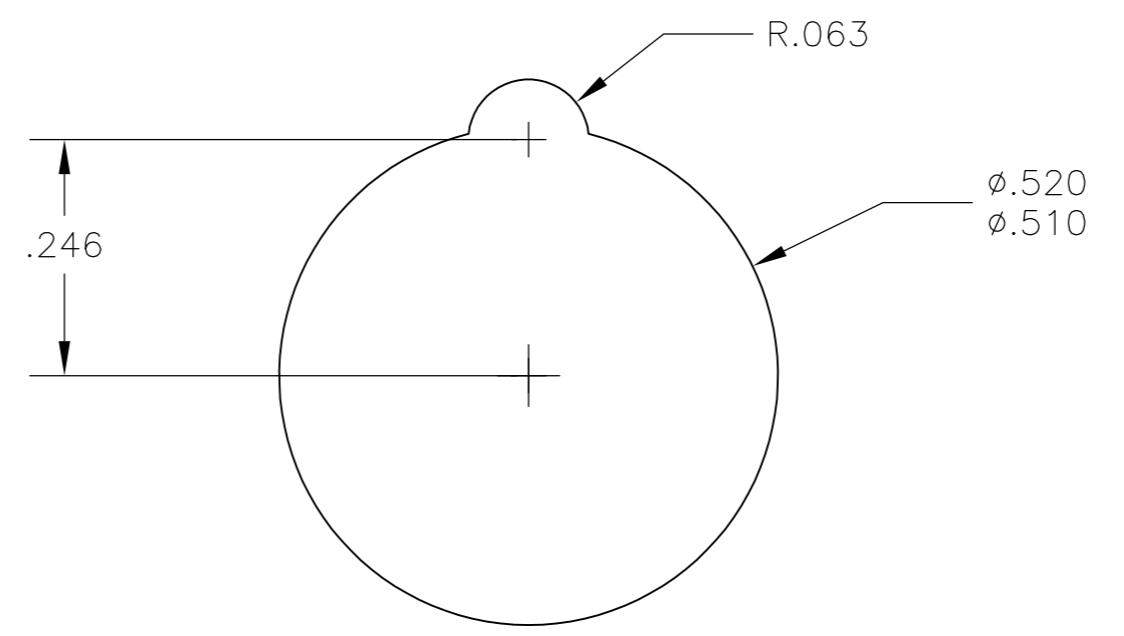
Email & Skype: info@chipsmall.com Web: www.chipsmall.com

Address: A1208, Overseas Decoration Building, #122 Zhenhua RD., Futian, Shenzhen, China



THIS DRAWING IS UNPUBLISHED. RELEASED FOR PUBLICATION
 © COPYRIGHT BY TYCO ELECTRONICS CORPORATION. ALL INTERNATIONAL RIGHTS RESERVED.

LOC	DIST	REVISIONS					
DF	SO	P	LTR	DESCRIPTION	DATE	DWN	APVD
		L		REV PER ECO-08-019875	15SEP08	PK	DE



RECOMMENDED CUSTOMER BULKHEAD MOUNTING

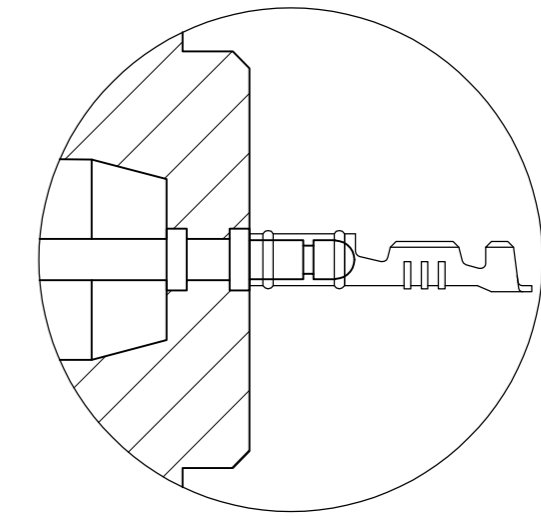


FIG. II

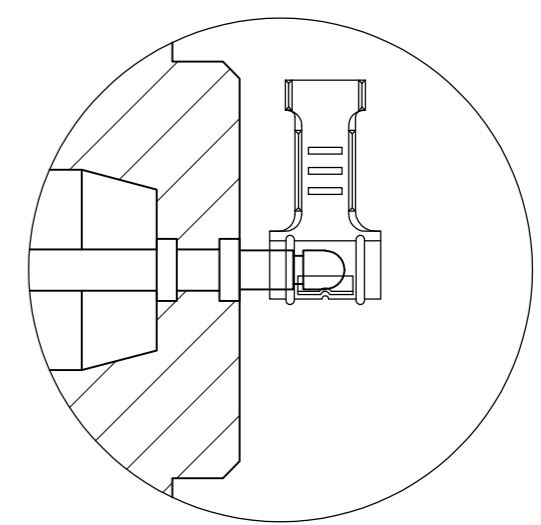


FIG. III

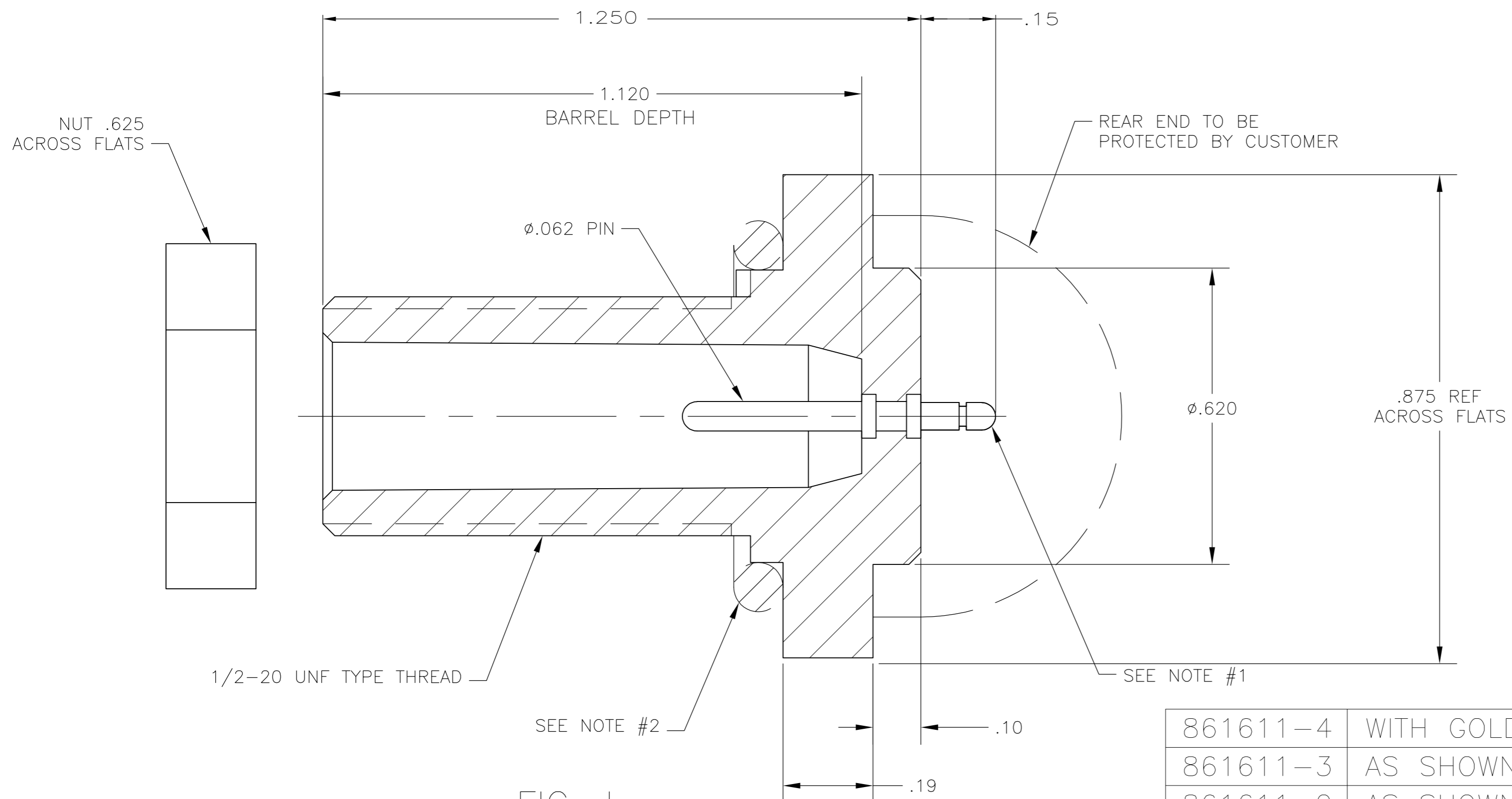


FIG. I

- NOTE:
- DO NOT SOLDER TO PIN: USE SNAP ON SOCKET ONLY.
 - RECOMMENDED "O"RING .612 I.D. X .103 WIDE WHEN REQUIRED (SUPPLIED BY CUSTOMER).
 - USE AMP CRIMP TOOL #90204-1.
 - NUT IS SUPPLIED WITH KIT BUT NOT ASSEMBLED.

PART NO.	DESCRIPTION	FIG. NO.
861611-4	WITH GOLD PLATED STRAIGHT ON SOCKET	II
861611-3	AS SHOWN, WITH RIGHT ANGLE SOCKET	III
861611-2	AS SHOWN, WITH STRAIGHT ON SOCKET	II
861611-1	AS SHOWN, NO SOCKET	I

THIS DRAWING IS A CONTROLLED DOCUMENT.		DWN J. KAISER 1/12/04	Tyco Electronics Corporation Harrisburg, PA 17105-3608	
DIMENSIONS: INCHES	TOLERANCES UNLESS OTHERWISE SPECIFIED:	CHK D. EABY	NAME D. EABY	
	0 PLC ± -	APVD D. EABY	PRODUCT SPEC	
	1 PLC ± -	PRODUCT SPEC	-	
	2 PLC ± .01	APPLICATION SPEC	-	
	3 PLC ± .005		SIZE A2	CAGE CODE 00779
	4 PLC ± -		DRAWING NO C=861611	RESTRICTED TO -
	ANGLES ± -		SCALE 5:1	SHEET 1 of 1
MATERIAL POLYESTER	FINISH BLACK	WEIGHT -	CUSTOMER DRAWING	REV L