



Chipsmall Limited consists of a professional team with an average of over 10 year of expertise in the distribution of electronic components. Based in Hongkong, we have already established firm and mutual-benefit business relationships with customers from,Europe,America and south Asia,supplying obsolete and hard-to-find components to meet their specific needs.

With the principle of “Quality Parts,Customers Priority,Honest Operation,and Considerate Service”,our business mainly focus on the distribution of electronic components. Line cards we deal with include Microchip,ALPS,ROHM,Xilinx,Pulse,ON,Everlight and Freescale. Main products comprise IC,Modules,Potentiometer,IC Socket,Relay,Connector.Our parts cover such applications as commercial,industrial, and automotives areas.

We are looking forward to setting up business relationship with you and hope to provide you with the best service and solution. Let us make a better world for our industry!



Contact us

Tel: +86-755-8981 8866 Fax: +86-755-8427 6832

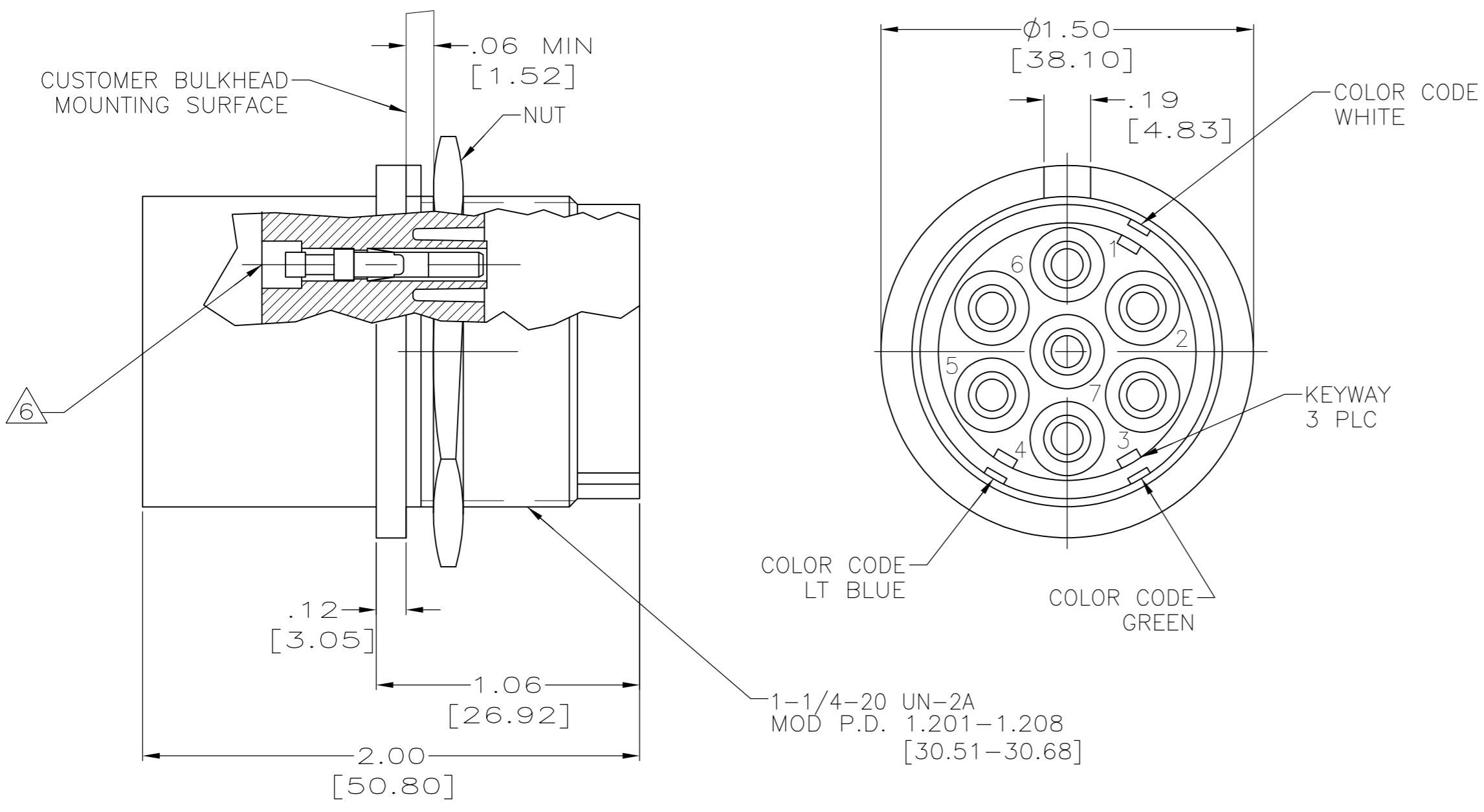
Email & Skype: info@chipsmall.com Web: www.chipsmall.com

Address: A1208, Overseas Decoration Building, #122 Zhenhua RD., Futian, Shenzhen, China

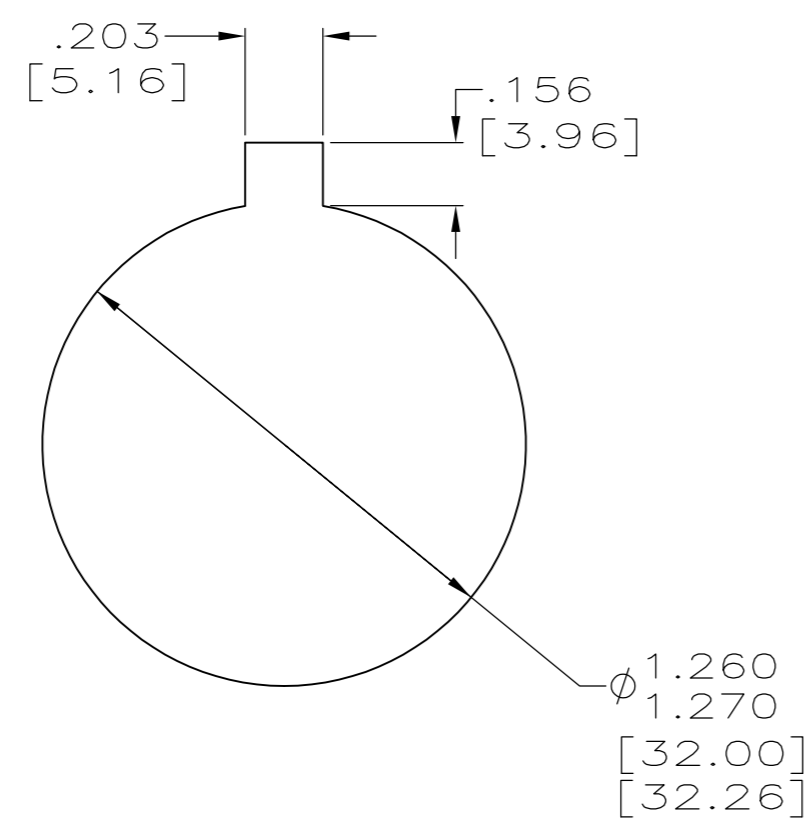


THIS DRAWING IS UNPUBLISHED. RELEASED FOR PUBLICATION
 © COPYRIGHT - By - ALL RIGHTS RESERVED.

LOC		DIST		REVISIONS			
P	LTR	DESCRIPTION		DATE	DWN	APVD	
	H1	REVISED PER ECO-11-005030		11MAR11	RK	HMR	



- SEVEN CONTACT CAVITIES ACCEPT TYPE II, SIZE 16 SOCKETS AND COAX CONTACTS AS SHOWN IN TABLE. EXTRACTION TOOL PART NUMBER IS 861751-1.
- TYPE II SOCKETS TO ACCEPT 22 AWG - 24 AWG STRANDED WIRE. SOCKETS GOLD PLATED PER MIL-G-45204 TYPE II .000050 MIN THK.
- RECEPTACLE WILL WITHSTAND WITHOUT BREAKDOWN, 27 KVDC PIN TO PIN & 27 KVDC PIN TO GRD WHEN MATED WITH 861648-1.
- TYPE II SOCKETS TO ACCEPT ONE 16 AWG OR ONE 18 AWG STRANDED WIRE.
- TYPE II SOCKETS TO ACCEPT 14 AWG STRANDED WIRE.
- CUSTOMER TO ATTACH LEADS & PROTECT AGAINST ARC OVER & BREAKDOWN BY POTTING. SOCKETS TO BE COATED WITH RTV108



RECOMMENDED PANEL CUTOUT

RMKS	COLOR CODING	HAND TOOL	WIRE SIZE RANGE	PART NUMBER
6	NO	45098	14	861647-9
5	NO	45098	16,18	861647-8
2	NO	45099	20,22,24	861647-7
	YES	NO SOCKETS		861647-6
6	YES	45098	14	861647-5
	YES	5 COAX 69656	20-24 & COAX	861647-4
	YES	1 COAX 69656	20-24 & COAX	861647-3
5	YES	45098	16,18	861647-2
2	YES	45099	20,22,24	861647-1

THIS DRAWING IS A CONTROLLED DOCUMENT.

DWN T. THOMPSON 03-22-95
 CHK D. EABY 04-19-95
 APVD D. EABY 04-19-95

STE TE Connectivity

NAME RECEPTACLE, FLANGED H.V. 7 CONTACT, LGH

SIZE A2 CAGE CODE 00779 DRAWING NO. 861647 RESTRICTED TO -

MATERIAL MOLDED PLASTIC FINISH BLACK WEIGHT - SCALE 2:1 SHEET 1 of 1 REV H1

CUSTOMER DRAWING