



Chipsmall Limited consists of a professional team with an average of over 10 year of expertise in the distribution of electronic components. Based in Hongkong, we have already established firm and mutual-benefit business relationships with customers from,Europe,America and south Asia,supplying obsolete and hard-to-find components to meet their specific needs.

With the principle of “Quality Parts,Customers Priority,Honest Operation,and Considerate Service”,our business mainly focus on the distribution of electronic components. Line cards we deal with include Microchip,ALPS,ROHM,Xilinx,Pulse,ON,Everlight and Freescale. Main products comprise IC,Modules,Potentiometer,IC Socket,Relay,Connector.Our parts cover such applications as commercial,industrial, and automotives areas.

We are looking forward to setting up business relationship with you and hope to provide you with the best service and solution. Let us make a better world for our industry!



Contact us

Tel: +86-755-8981 8866 Fax: +86-755-8427 6832

Email & Skype: info@chipsmall.com Web: www.chipsmall.com

Address: A1208, Overseas Decoration Building, #122 Zhenhua RD., Futian, Shenzhen, China

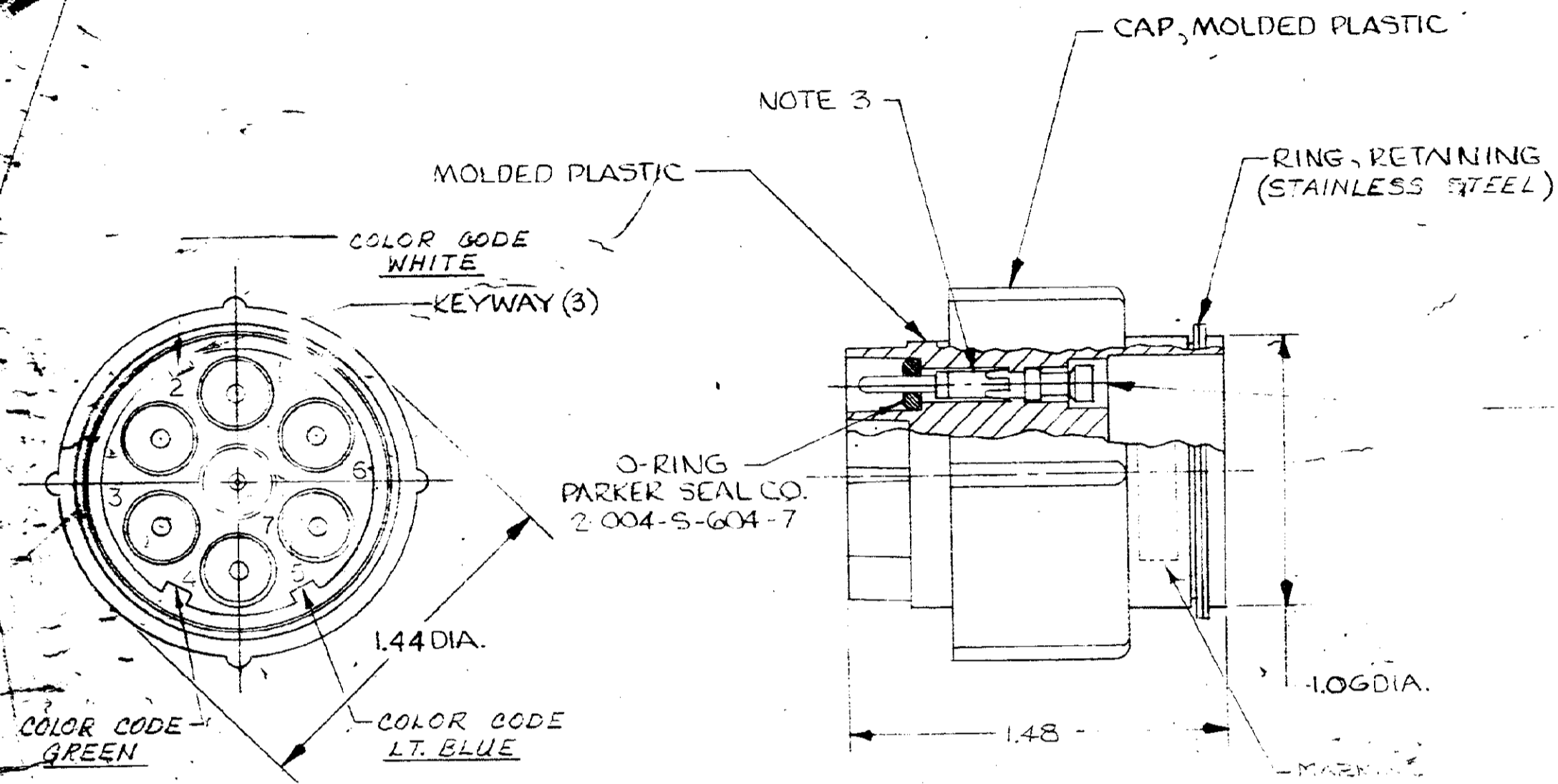


AMERICAN PROJECTION

AMP INCORPORATED. ALL RIGHTS RESERVED. AMP PRODUCTS ARE COVERED BY PATENTS AND/OR PATENT PENDING.

AMP INCORPORATED IS NOT RESPONSIBLE FOR DAMAGE TO PROPERTY OR PERSONS ARISING FROM THE USE OF ANY OF THE PRODUCTS OF AMP INCORPORATED.

REVISIONS				
ZONE	LTR	DESCRIPTION	DATE	APPROVED
	E			
	C	ADDED -3, 8-4	11/74	M.A.
	D	ADDED -5	DS 10-14-75	M.A.
	E	ADDED NOTE 7	DS 2-27-76	M.A.
	F	ADDED -6	DS 10-6-76	M.A.
	G	ADDED -7, -8, -9	DS 6-28-77	M.A.
	H	OBS-3, 4, 5 ECNDF 0376	2P 2-89	T.W.



CUSTOMER TO ATTACH LEADS & PROTECT AGAINST ARC-OVER & BREAK-DOWN BY POTTING. PINS TO BE COATED WITH RTV IOS AND INSERTED IN CAVITIES, AFTER CURING FILL BACK END OF PLUG WITH HYDROL 4210 (REF AMP #S-340710-2)

NOTE:

1. PLUG ASSY WILL WITHSTAND WITHOUT BREAK-DOWN 27 KVDC PIN TO PIN & 27 KVDC PIN TO GRD. WHEN MATED WITH RECEPTACLE 861647-1
2. MARKING TO BE WHITE
3. TO FIT OVER PIN USE EXTRA 30° TOOL 861645-1
4. PLUG & PINS TO BE SHIPPED SEPARATELY.
5. TYPE II PINS TO ACCEPT ONE (1) 20 AWG, (1) 22 AWG, OR (1) 24 AWG STRANDED WIRE
6. TYPE II PINS TO ACCEPT ONE (1) 18 AWG OR (1) 19 AWG STRANDED WIRE

TYPE II PINS TO ACCEPT ONE (1) 14 AWG STRANDED WIRE.

AMP P/N	WIRE SIZE FANG	HAND TOS	COLOR CODING
861648-1	20, 22, 24	45099	YES
861648-2	16, 18	45099	YES
861648-3	20-24 COAX	1 COAX-69656	YES
861648-4	20-24 COAX	5 COAX-69656	YES
861648-5	14	45098	YES
861648-6			YES
861648-7	20, 22, 24	45099	NO
861648-8	16, 18	45098	NO
861648-9	14	45098	NO

QTY REQD	QTY REQD	ITEM NO.	DWG SIZE	PART OR IDENTIFYING NO.	NOMENCLATURE OR DESCRIPTION	SYM
-2	-1				PLUG ASSY, H.V. 7 PIN	

CONTRACT NO. _____
 DR _____
 CHK _____
 APPD _____
 APPD _____
 DSN APPD _____
 OTHER APPD _____

UNLESS OTHERWISE SPECIFIED: DIMENSIONS ARE IN INCHES
 TOLERANCES .00 ± .04 ANGLES .000 ± .015

MATERIAL: _____
 FINISH: BLACK

AMP INCORPORATED
 CAPITRON DIVISION
 ELIZABETHTOWN, PENNSYLVANIA

NAME: PLUG ASSY, H.V. 7 PIN
 EGH

SIZE: C
 CODE IDENT NO.: 00779
 NUMBER: 861648

SCALE: _____ WT _____ SHEET _____

QTY REQD	QTY REQD	ITEM NO.	DWG SIZE	PART OR IDENTIFYING NO.	NOMENCLATURE OR DESCRIPTION	SYM