



Chipsmall Limited consists of a professional team with an average of over 10 year of expertise in the distribution of electronic components. Based in Hongkong, we have already established firm and mutual-benefit business relationships with customers from,Europe,America and south Asia,supplying obsolete and hard-to-find components to meet their specific needs.

With the principle of "Quality Parts,Customers Priority,Honest Operation,and Considerate Service",our business mainly focus on the distribution of electronic components. Line cards we deal with include Microchip,ALPS,ROHM,Xilinx,Pulse,ON,Everlight and Freescale. Main products comprise IC,Modules,Potentiometer,IC Socket,Relay,Connector.Our parts cover such applications as commercial,industrial, and automotives areas.

We are looking forward to setting up business relationship with you and hope to provide you with the best service and solution. Let us make a better world for our industry!



Contact us

Tel: +86-755-8981 8866 Fax: +86-755-8427 6832

Email & Skype: info@chipsmall.com Web: www.chipsmall.com

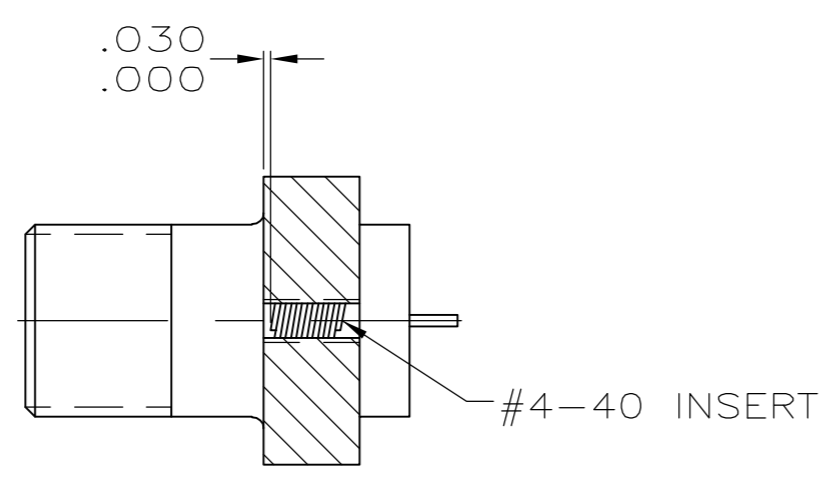
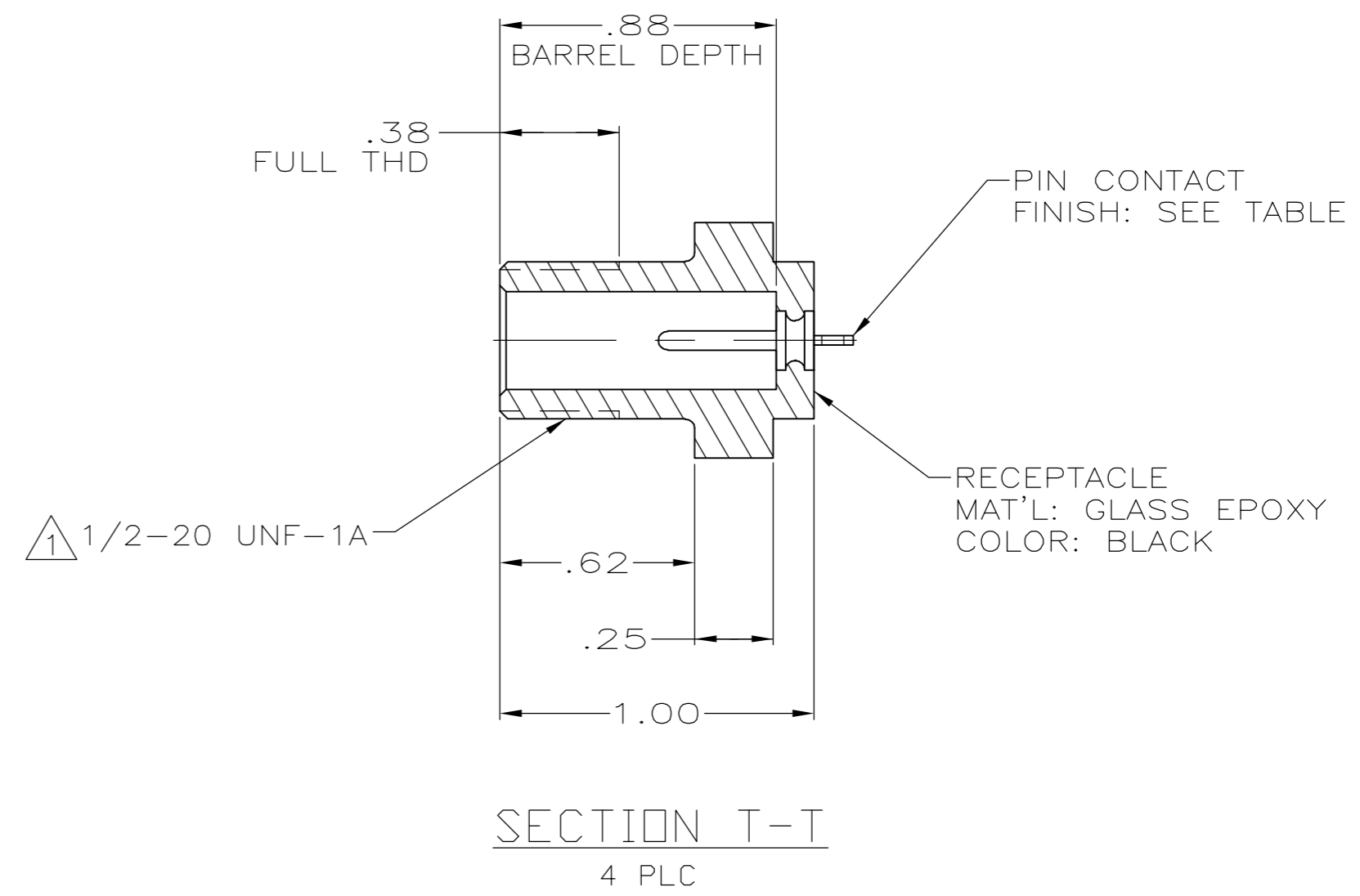
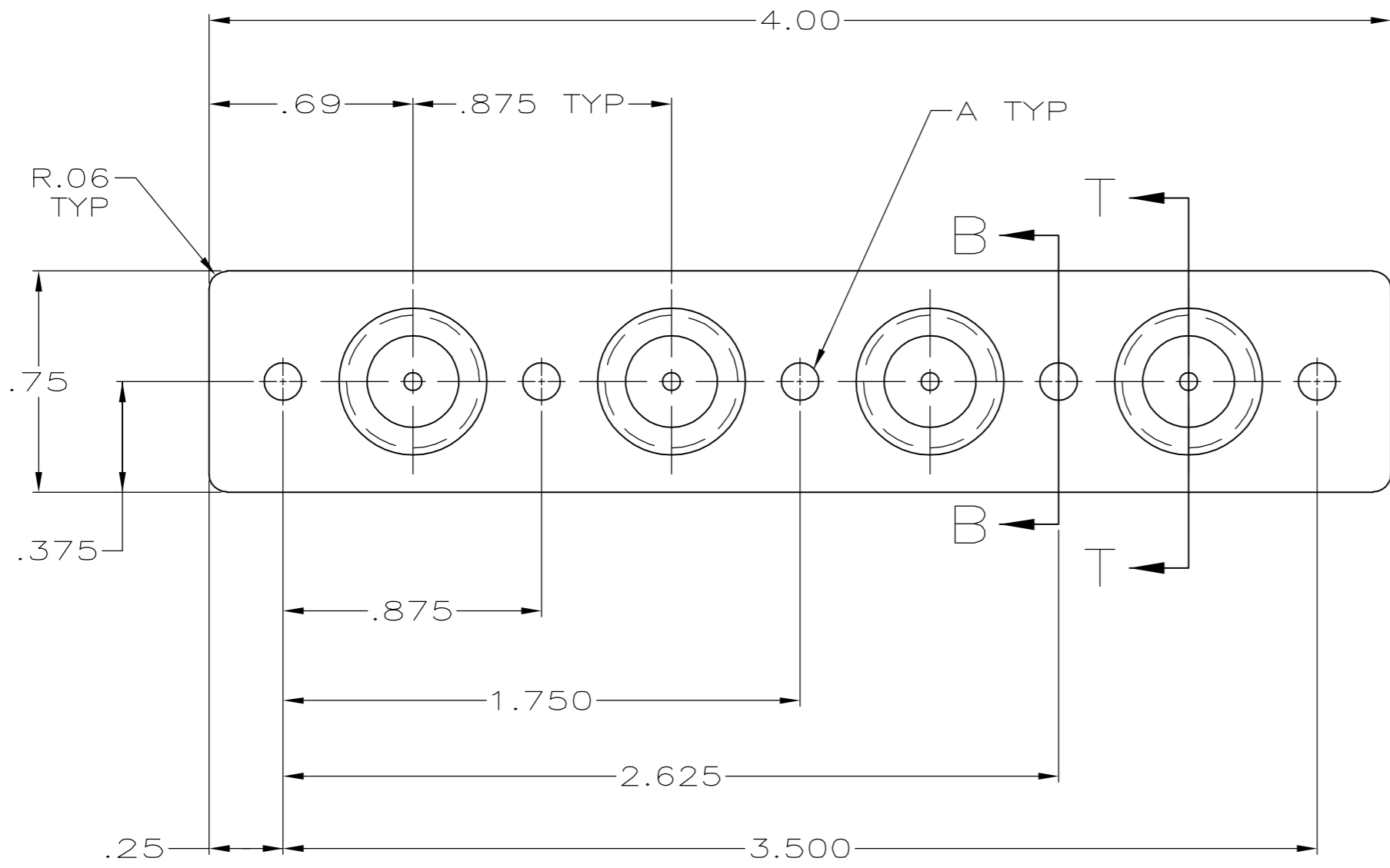
Address: A1208, Overseas Decoration Building, #122 Zhenhua RD., Futian, Shenzhen, China



THIS DRAWING IS UNPUBLISHED. RELEASED FOR PUBLICATION - N/A .
 © COPYRIGHT N/A BY TYCO ELECTRONICS CORPORATION. ALL RIGHTS RESERVED.

LOC	DIST	REVISIONS					
DF	S0	P	LTR	DESCRIPTION	DATE	DWN	APVD
		E		REV PER 0H14-0191-05	05-05	AA	DE

- 1. PER FEDERAL STANDARDS H-28, 3 WIRE METHOD. DIMENSION OVER WIRES TO BE: .497-.510
- 2. RECEPTACLE WILL MATE WITH ANY AMP LGH-1 LEAD ASSY AVAILABE SEPARATELY.



SECTION B-B
FOR 861658-1 & -2

TIN	ø.128	5-861658-3
GOLD	ø.128	861658-4
TIN-LEAD	ø.128	861658-3
GOLD	#4-40 INSERT	861658-2
TIN-LEAD	#4-40 INSERT	861658-1
PIN PLATING	DIM A	PART NUMBER

THIS DRAWING IS A CONTROLLED DOCUMENT.		DWN C.C.THOMAS 22-SEP-00	Tyco Electronics Corporation Harrisburg, Pa 17105-3608
DIMENSIONS: INCHES		CHK D. EABY 22-SEP-00	
TOLERANCES UNLESS OTHERWISE SPECIFIED:		APVD D. EABY 22-SEP-00	
0 PLC ± - 1 PLC ± - 2 PLC ± .02 3 PLC ± .005 4 PLC ± - ANGLES ± - FINISH -		PRODUCT SPEC -	
MATERIAL -		APPLICATION SPEC -	NAME RCPT, 4 POSN BULKHEAD MOUNT LGH-1
		WEIGHT -	SIZE A2 CAGE CODE 00779 DRAWING NO C=861658 RESTRICTED TO -
		CUSTOMER DRAWING	SCALE 2:1 SHEET 1 OF 1 REV E