



Chipsmall Limited consists of a professional team with an average of over 10 year of expertise in the distribution of electronic components. Based in Hongkong, we have already established firm and mutual-benefit business relationships with customers from,Europe,America and south Asia,supplying obsolete and hard-to-find components to meet their specific needs.

With the principle of “Quality Parts,Customers Priority,Honest Operation,and Considerate Service”,our business mainly focus on the distribution of electronic components. Line cards we deal with include Microchip,ALPS,ROHM,Xilinx,Pulse,ON,Everlight and Freescale. Main products comprise IC,Modules,Potentiometer,IC Socket,Relay,Connector.Our parts cover such applications as commercial,industrial, and automotives areas.

We are looking forward to setting up business relationship with you and hope to provide you with the best service and solution. Let us make a better world for our industry!



Contact us

Tel: +86-755-8981 8866 Fax: +86-755-8427 6832

Email & Skype: info@chipsmall.com Web: www.chipsmall.com

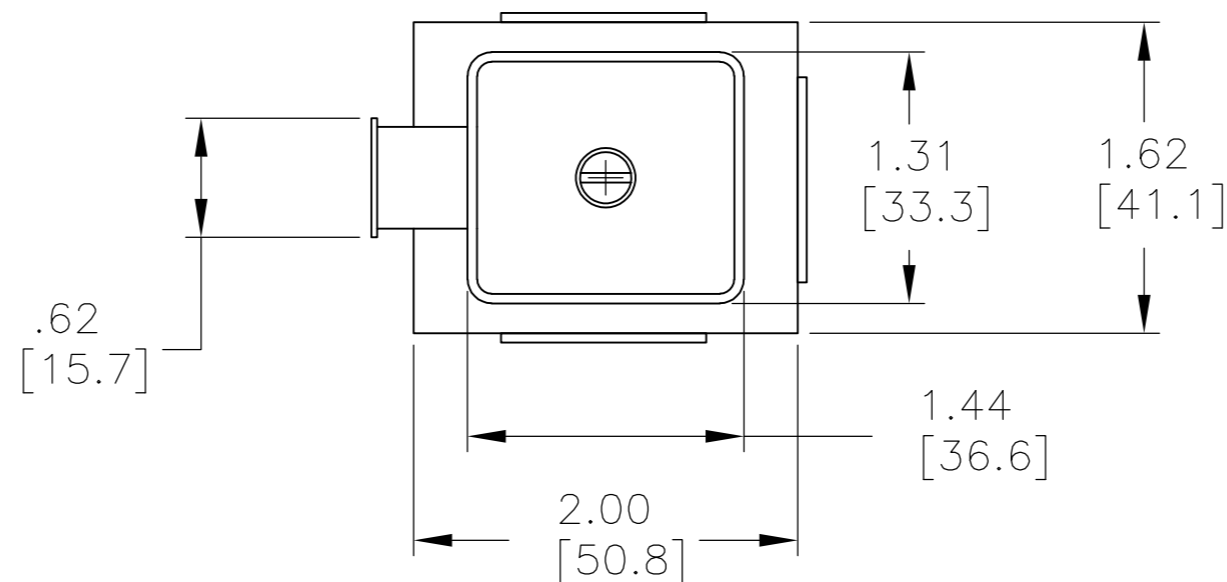
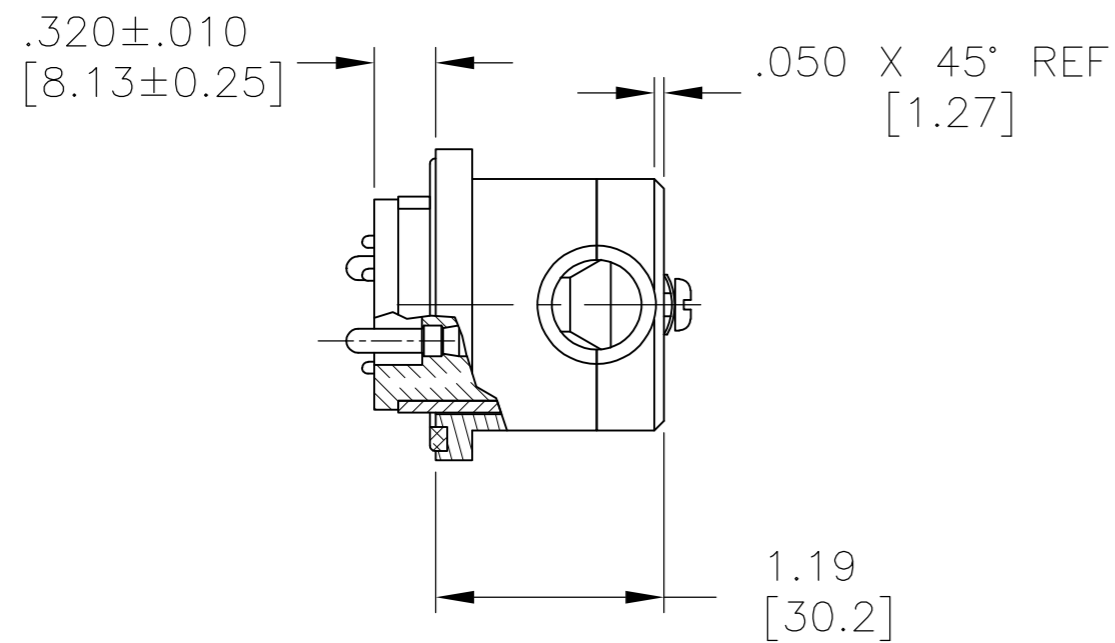
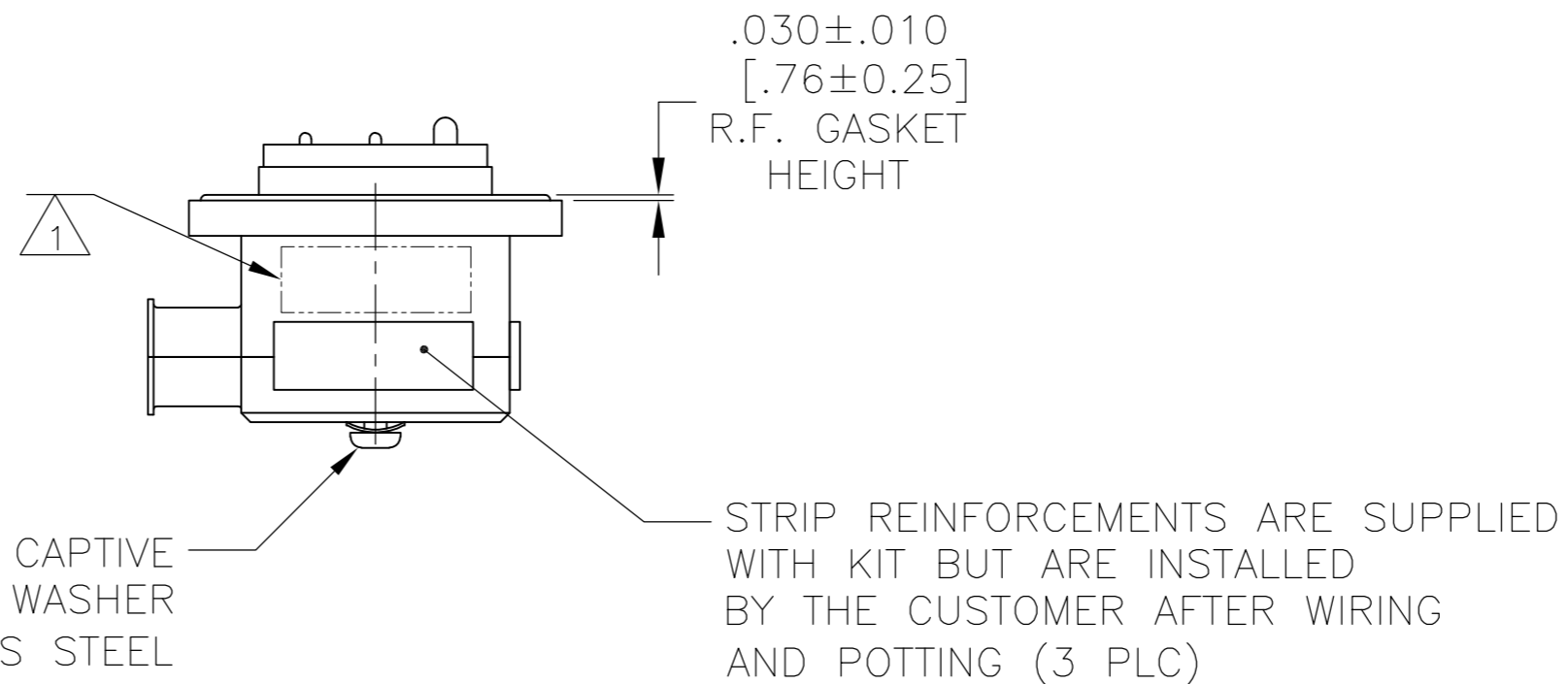
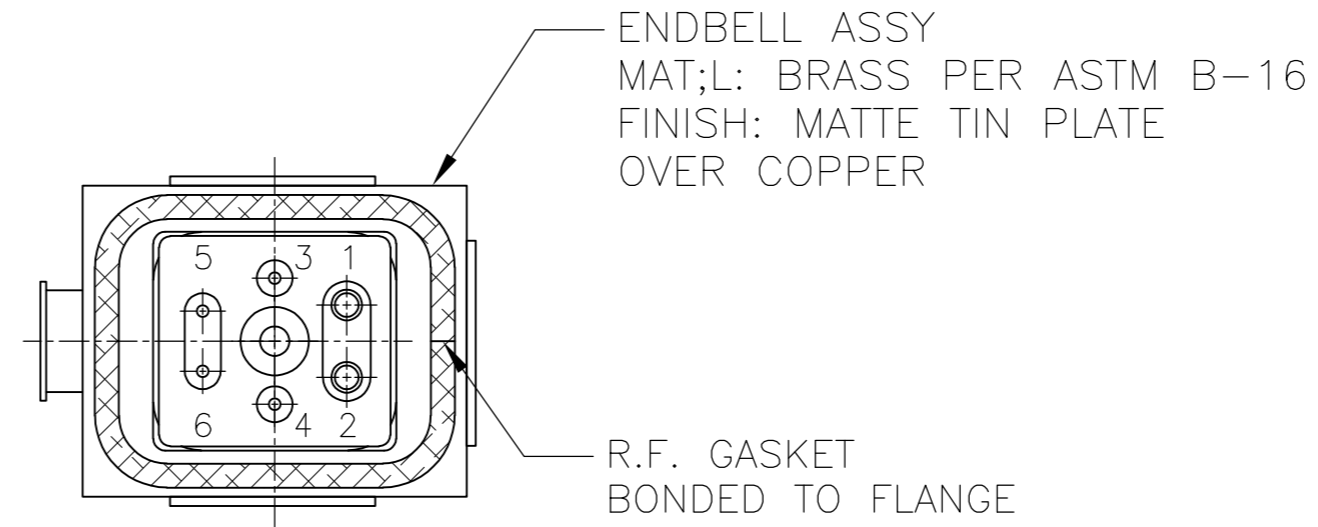
Address: A1208, Overseas Decoration Building, #122 Zhenhua RD., Futian, Shenzhen, China



THIS DRAWING IS UNPUBLISHED. RELEASED FOR PUBLICATION
 © COPYRIGHT - By - ALL RIGHTS RESERVED.

REVISIONS				
P	LTR	DESCRIPTION	DATE	APVD
J		REV PER ECO-16-001441	29FEB16	KG DE

- 1. TE INFO MARKED PER MIL-STD-130.
- 2. MATES WITH 858059-2.



	85/15 FLOUROSILICONE/SILICONE MOLDING COMPOUND	861684-2
OBSOLETE	SILICONE RUBBER MLDG. CMPD.	861684-1
	MOLDED PLUG MATERIAL	PART NO.

THIS DRAWING IS A CONTROLLED DOCUMENT.		DWN C.C.THOMAS 6-4-09	TE TE Connectivity	
DIMENSIONS: INCHES		CHK D.EABY 6-4-09		
TOLERANCES UNLESS OTHERWISE SPECIFIED:		APVD D.EABY 6-4-09	NAME PLUG AND ENDBELL ASSY,LGH	
0 PLC ± -		PRODUCT SPEC	-	
1 PLC ± -		APPLICATION SPEC	-	
2 PLC ± .03 [0.8]			SIZE	CAGE CODE
3 PLC ± -			A2	00779
4 PLC ± -			DRAWING NO	RESTRICTED TO
ANGLES ± -		WEIGHT 0	C=861684	-
FINISH SEE CALLOUTS		CUSTOMER DRAWING	SCALE 1:1	SHEET 1 of 1
MATERIAL SEE CALLOUTS			REV J	