



Chipsmall Limited consists of a professional team with an average of over 10 year of expertise in the distribution of electronic components. Based in Hongkong, we have already established firm and mutual-benefit business relationships with customers from,Europe,America and south Asia,supplying obsolete and hard-to-find components to meet their specific needs.

With the principle of "Quality Parts,Customers Priority,Honest Operation,and Considerate Service",our business mainly focus on the distribution of electronic components. Line cards we deal with include Microchip,ALPS,ROHM,Xilinx,Pulse,ON,Everlight and Freescale. Main products comprise IC,Modules,Potentiometer,IC Socket,Relay,Connector.Our parts cover such applications as commercial,industrial, and automotives areas.

We are looking forward to setting up business relationship with you and hope to provide you with the best service and solution. Let us make a better world for our industry!



Contact us

Tel: +86-755-8981 8866 Fax: +86-755-8427 6832

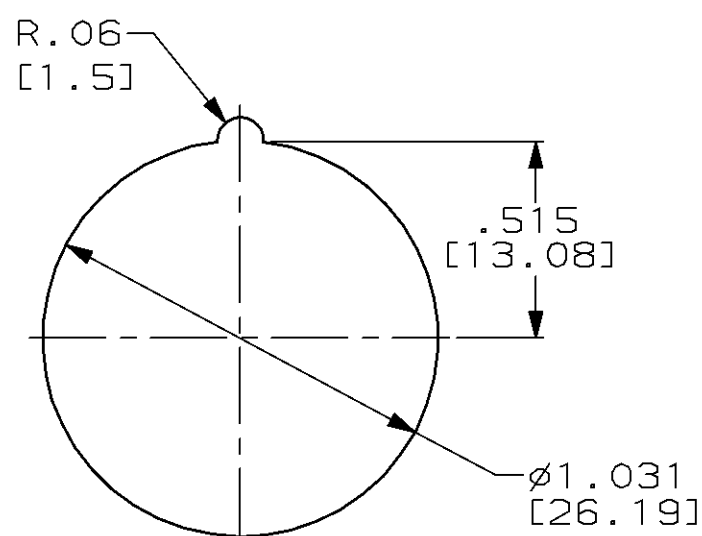
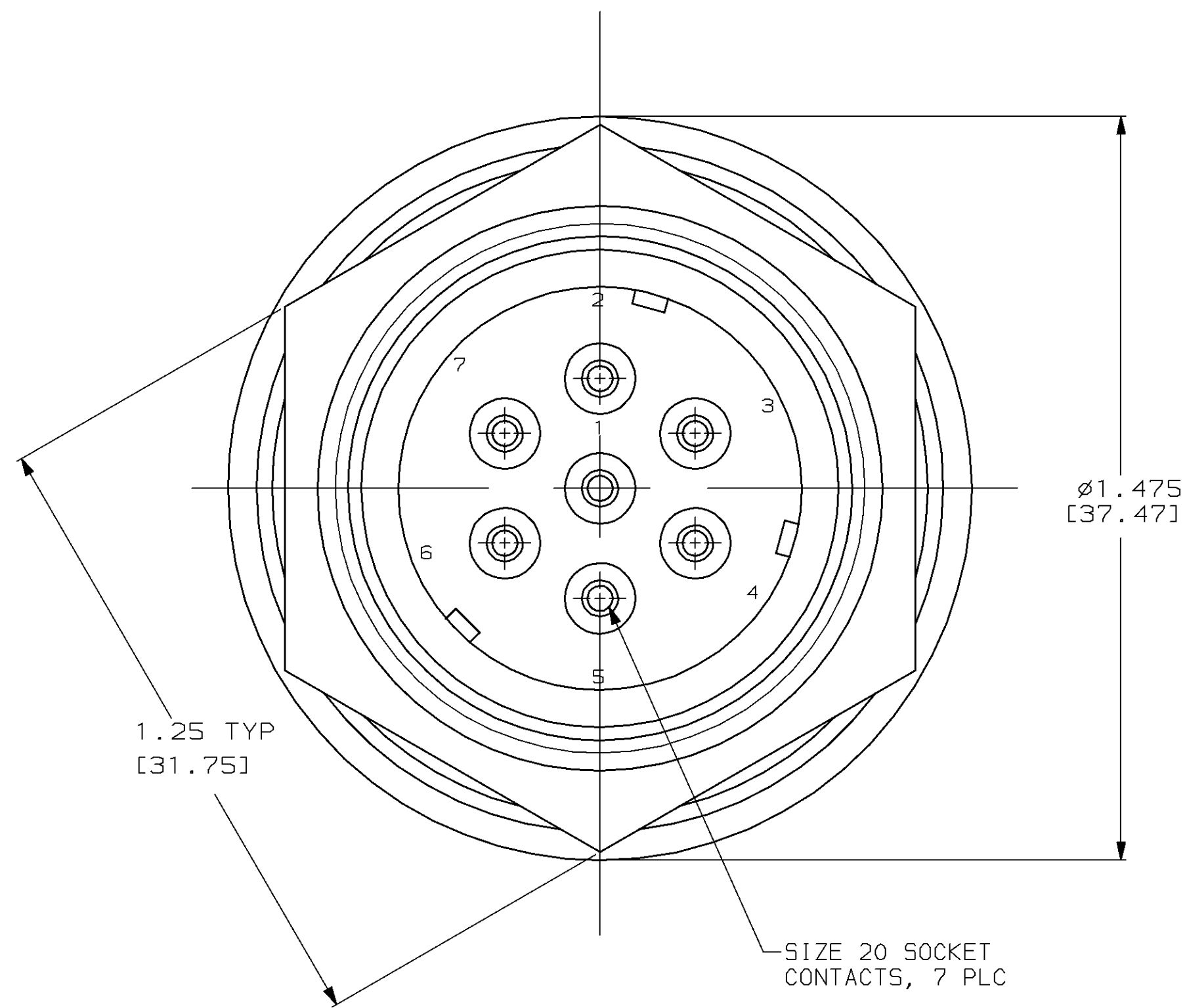
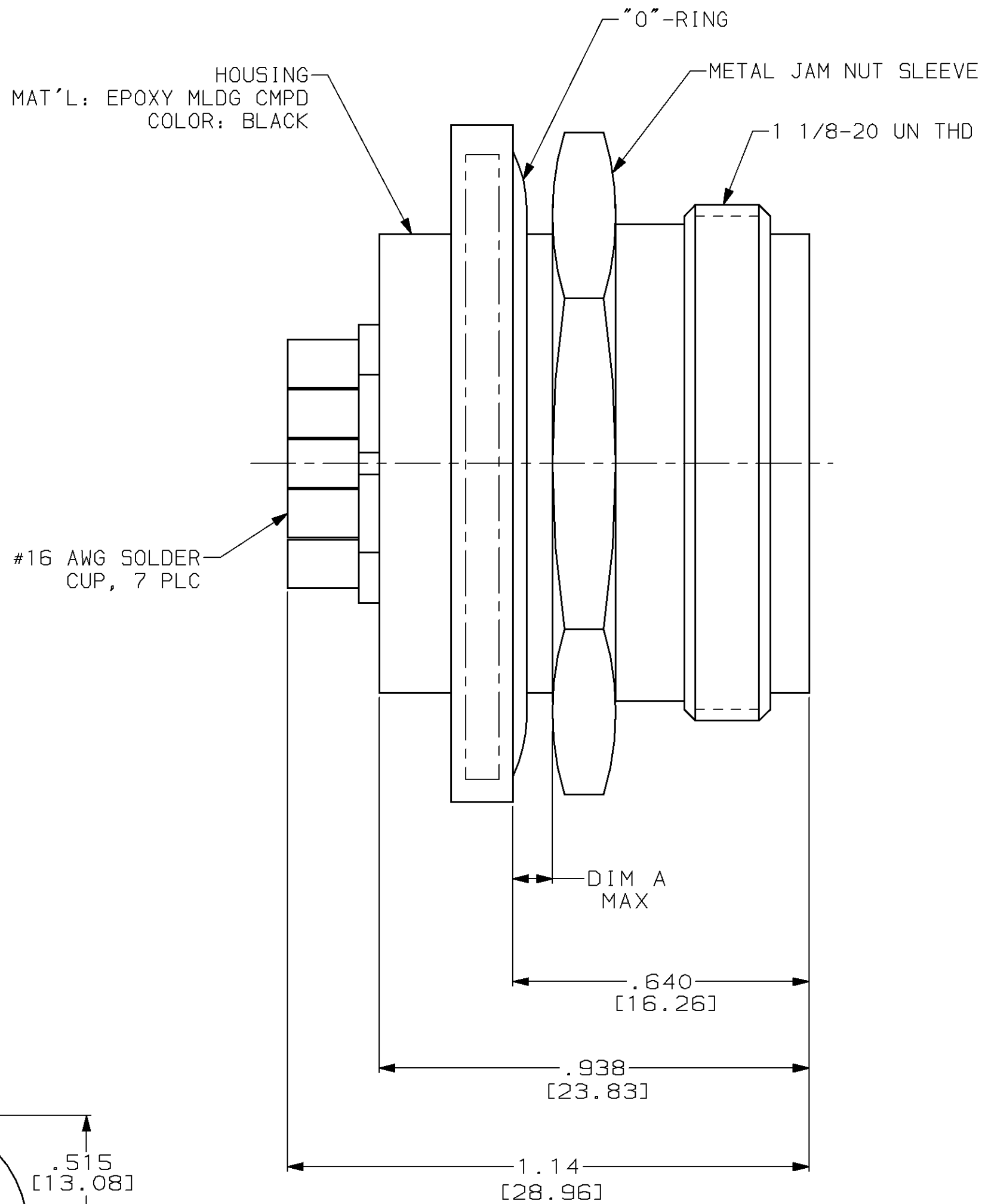
Email & Skype: info@chipsmall.com Web: www.chipsmall.com

Address: A1208, Overseas Decoration Building, #122 Zhenhua RD., Futian, Shenzhen, China



THIS DRAWING IS UNPUBLISHED. RELEASED FOR PUBLICATION
 © COPYRIGHT 19 BY AMP INCORPORATED. ALL RIGHTS RESERVED.

LOC		DIST		REVISIONS			
P	LTR	DESCRIPTION		DATE	DWN	APVD	
G		ADD -3 PER 0600-6354-97		5-97	CT	DE	



RECOMMENDED PANEL CUTOUT
SCALE 2:1

1. THIS RECEPTACLE IS NOT HERMETICALLY SEALED.
2. MARKED PER MIL-STD-130.

.060 [1.52]	862004-3
.125 [3.18]	862004-1
DIM A MAX PANEL THICKNESS	PART NUMBER

THIS DRAWING IS A CONTROLLED DOCUMENT.		DWN C.C.THOMAS 7-19-96	AMP Incorporated Harrisburg, PA 17105-3608	
DIMENSIONS: INCHES [mm]		CHK S. GLATFELTER 8-13-96	NAME	
TOLERANCES UNLESS OTHERWISE SPECIFIED:		APVD S. GLATFELTER 8-13-96	7 PIN MINIATURE RCPT KIT, LGH	
0 PLC ±-		PRODUCT SPEC	SIZE	CAGE CODE
1 PLC ±-		APPLICATION SPEC	A2	00779
2 PLC ±.01 [0.3]		WEIGHT	DRAWING NO	
3 PLC ±.010 [0.25]			C-862004	
4 PLC ±-			SCALE	SHEET
ANGLES ±-			4:1	1 OF 1
FINISH			REV	G
MATERIAL SEE CALLOUTS		CUSTOMER DRAWING		