



Chipsmall Limited consists of a professional team with an average of over 10 year of expertise in the distribution of electronic components. Based in Hongkong, we have already established firm and mutual-benefit business relationships with customers from,Europe,America and south Asia,supplying obsolete and hard-to-find components to meet their specific needs.

With the principle of “Quality Parts,Customers Priority,Honest Operation,and Considerate Service”,our business mainly focus on the distribution of electronic components. Line cards we deal with include Microchip,ALPS,ROHM,Xilinx,Pulse,ON,Everlight and Freescale. Main products comprise IC,Modules,Potentiometer,IC Socket,Relay,Connector.Our parts cover such applications as commercial,industrial, and automotives areas.

We are looking forward to setting up business relationship with you and hope to provide you with the best service and solution. Let us make a better world for our industry!



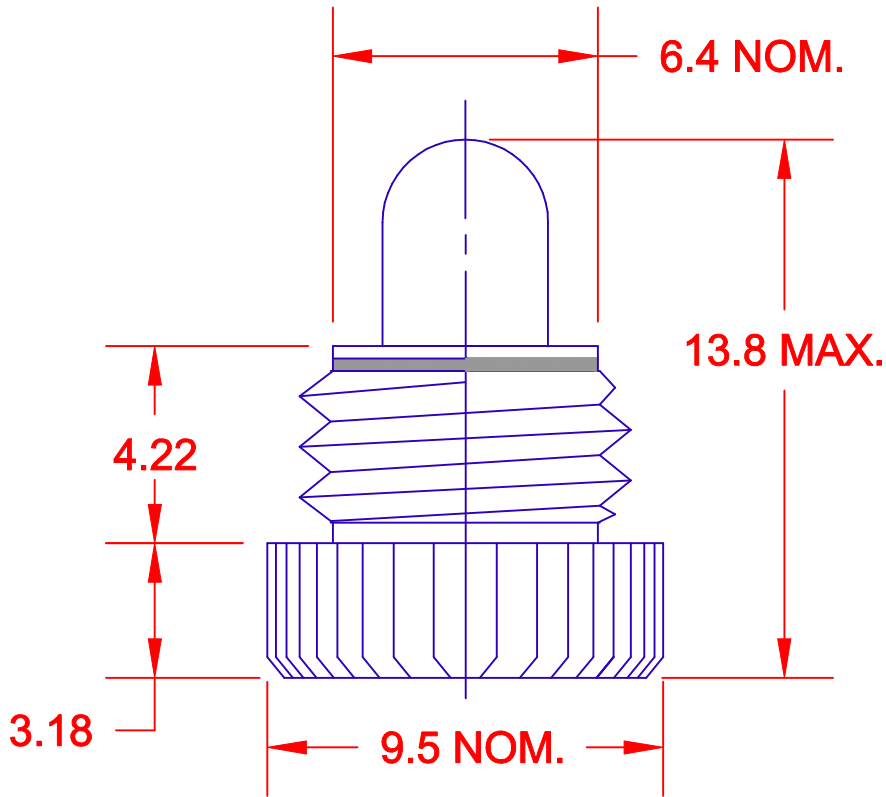
Contact us

Tel: +86-755-8981 8866 Fax: +86-755-8427 6832

Email & Skype: info@chipsmall.com Web: www.chipsmall.com

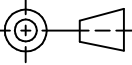
Address: A1208, Overseas Decoration Building, #122 Zhenhua RD., Futian, Shenzhen, China





NOTE:
 THREAD 5/16"-32 NEF-2
 PITCH DIA. .2922" +.0000/-.0033

JKL LAMP NUMBER	VOLTS RATED	AMPS ±10%	MSCP ±25%	LUMENS ±25%	AVERAGE LIFE HRS.	FILAMENT TYPE
323	3.0	.190	.250	3.14	350	C-2R
8553	6.3	.200	.550	6.91	5,000	C-2R
8623	28.0	.040	.340	4.27	2,800	C-2F

			METRIC  THIRD ANGLE PROJECTION		DIMENSIONS ARE IN MILLIMETERS TOLERANCE UNLESS OTHERWISE SPECIFIED 1 PL +/- 0.2 2 PL +/- 0.20 ANGLE +/- 0		JKL COMPONENTS CORPORATION			
					TITLE T-1 1/4 KNURL SCREW BASE					
DRAWN BY L. WENGSTROM			APPVD BY DATE QC 10/13/00		SIZE A	FSCM NO. 55335	DRAWING NO. SCREW BASE KNURL T-1 1/4			
RELEASE 10/13/00			APPV'D DATE 10/13/00		SCALE NONE		RELEASED DATE 10/13/00	REVISION DATE	REV. NO.	SHEET 1 OF 1
- CAD DRAWING - MANUAL REVISIONS NOT PERMITTED										
REV. NO.	DESCRIPTION/ECO NUMBER		APPV'D DATE							