



Chipsmall Limited consists of a professional team with an average of over 10 year of expertise in the distribution of electronic components. Based in Hongkong, we have already established firm and mutual-benefit business relationships with customers from,Europe,America and south Asia,supplying obsolete and hard-to-find components to meet their specific needs.

With the principle of "Quality Parts,Customers Priority,Honest Operation,and Considerate Service",our business mainly focus on the distribution of electronic components. Line cards we deal with include Microchip,ALPS,ROHM,Xilinx,Pulse,ON,Everlight and Freescale. Main products comprise IC,Modules,Potentiometer,IC Socket,Relay,Connector.Our parts cover such applications as commercial,industrial, and automotives areas.

We are looking forward to setting up business relationship with you and hope to provide you with the best service and solution. Let us make a better world for our industry!



Contact us

Tel: +86-755-8981 8866 Fax: +86-755-8427 6832

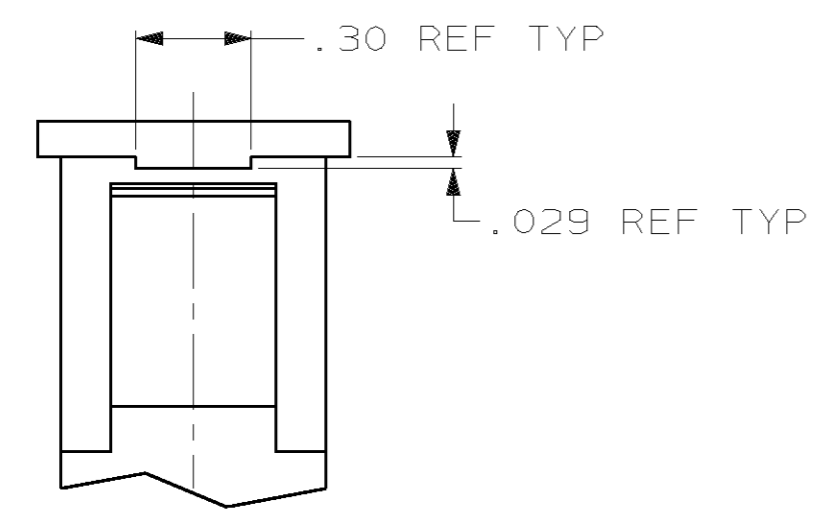
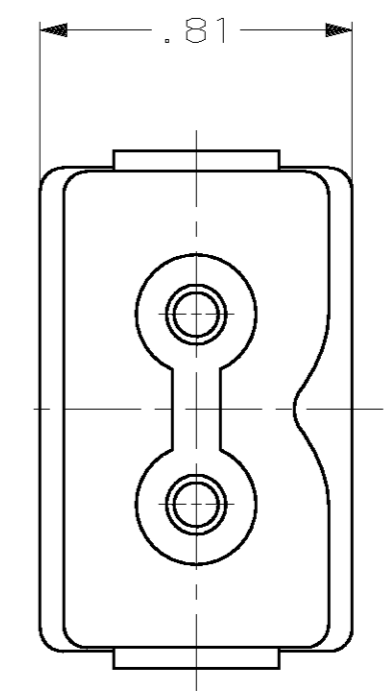
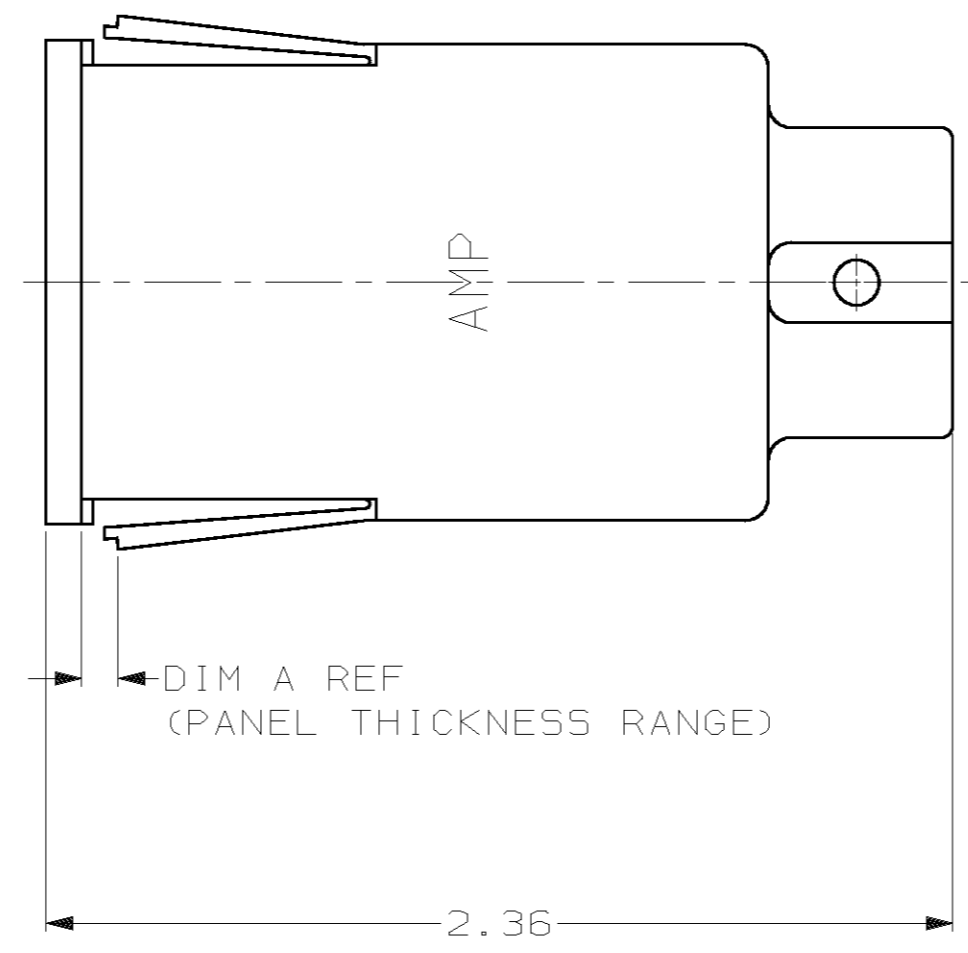
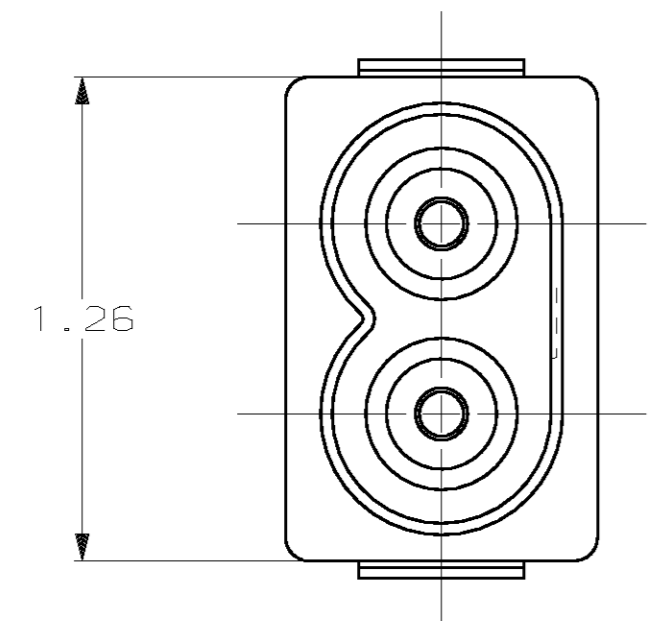
Email & Skype: info@chipsmall.com Web: www.chipsmall.com

Address: A1208, Overseas Decoration Building, #122 Zhenhua RD., Futian, Shenzhen, China

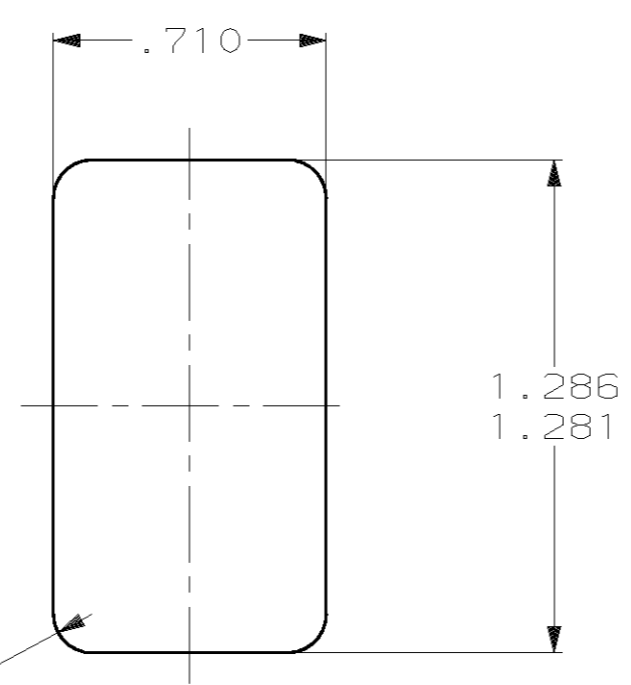


THIS DRAWING IS UNPUBLISHED. RELEASED FOR PUBLICATION ,19 .
 (C) COPYRIGHT 19 BY AMP INCORPORATED, ALL RIGHTS RESERVED.

LOC	DIST	REVISIONS			
P	LTR	DESCRIPTION	DATE	DWN	APVD
DF	SO				
	D	REV PER 063D-0181-03	4-03	CT	DE



.30 TAB ON ALL
DASH NUMBERS EXCEPT -2



RECOMMENDED
PANEL CUTOUT

	.051-.065	862382-9
	.051-.065	862382-8
	.051-.065	862382-7
	.082-.096	862382-6
OBsolete	.024-.038	862382-5
	.051-.065	862382-4
	.082-.096	862382-3
	.024-.038	862382-2
	.051-.065	862382-1
	DIM A	PART NO.

THIS DRAWING IS A CONTROLLED DOCUMENT.

DWN	C.C.THOMAS	4-21-03		TYCO Electronics Harrisburg, PA 17105-3608
CHK	D.EABY	4-21-03		
APVD	D.EABY	4-21-03		
NAME				
DIMENSIONS:	TOLERANCES UNLESS OTHERWISE SPECIFIED:	PRODUCT SPEC	RECEPTACLE HOUSING, 2 CAVITY, LGH	
INCHES	0 PLC ±-	APPLICATION SPEC	SIZE	CAGE CODE
	1 PLC ±-		A2	00779
	2 PLC ±.03		DRAWING NO	862382
	3 PLC ±.015		RESTRICTED TO	
	4 PLC ±-			
	ANGLES ±-			
MATERIAL	VALOX	COLOR	BLACK	SCALE
				2:1
				SHEET
				1 OF 1
				REV
				D

CUSTOMER DRAWING