



Chipsmall Limited consists of a professional team with an average of over 10 year of expertise in the distribution of electronic components. Based in Hongkong, we have already established firm and mutual-benefit business relationships with customers from,Europe,America and south Asia,supplying obsolete and hard-to-find components to meet their specific needs.

With the principle of “Quality Parts,Customers Priority,Honest Operation,and Considerate Service”,our business mainly focus on the distribution of electronic components. Line cards we deal with include Microchip,ALPS,ROHM,Xilinx,Pulse,ON,Everlight and Freescale. Main products comprise IC,Modules,Potentiometer,IC Socket,Relay,Connector.Our parts cover such applications as commercial,industrial, and automotives areas.

We are looking forward to setting up business relationship with you and hope to provide you with the best service and solution. Let us make a better world for our industry!



## Contact us

Tel: +86-755-8981 8866 Fax: +86-755-8427 6832

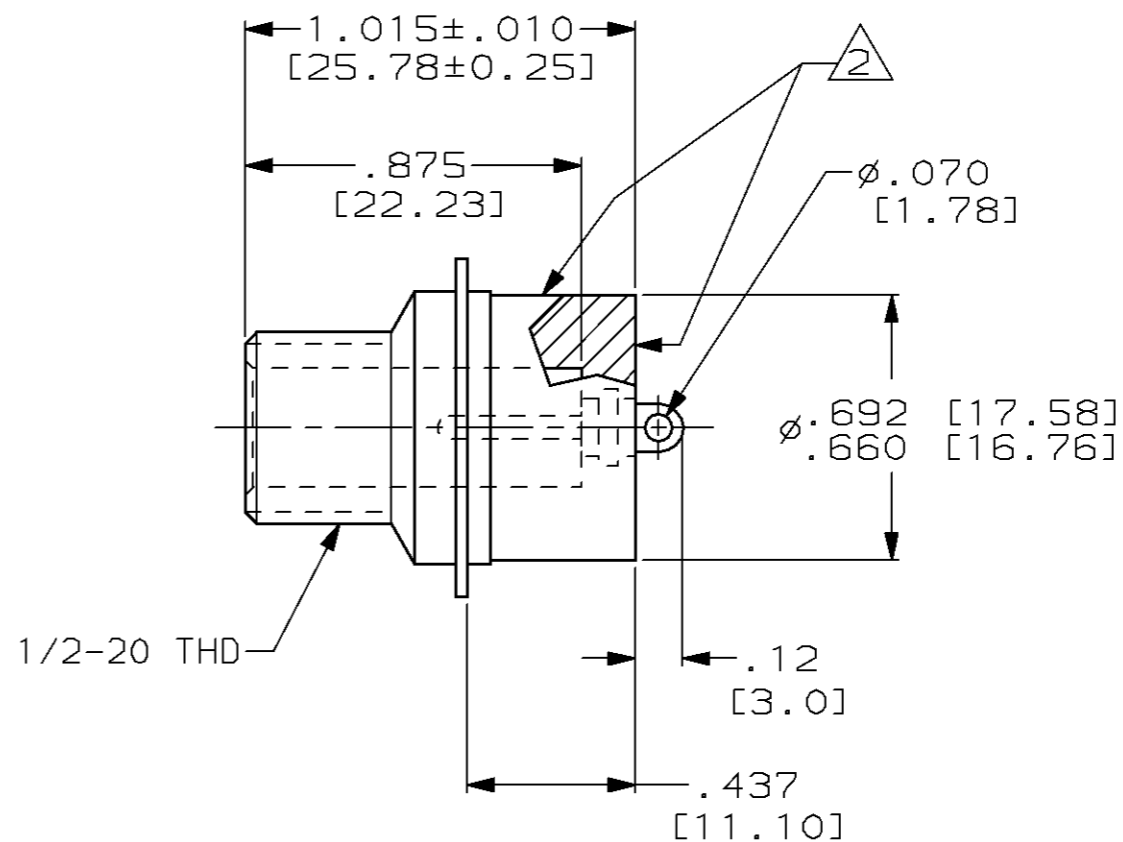
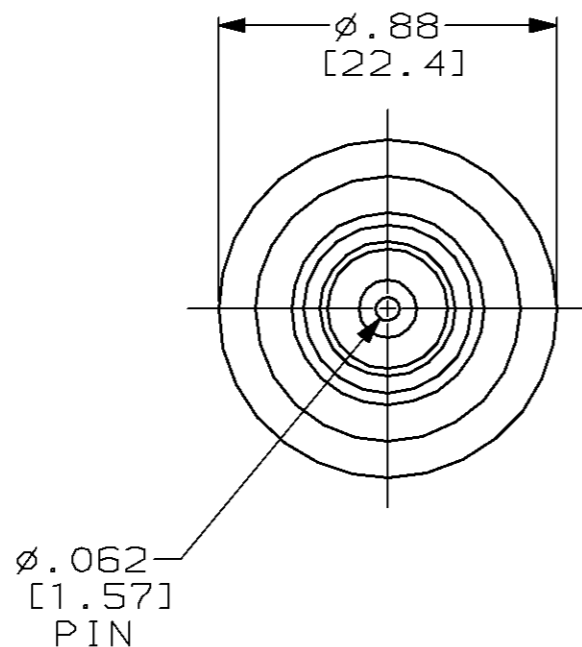
Email & Skype: info@chipsmall.com Web: www.chipsmall.com

Address: A1208, Overseas Decoration Building, #122 Zhenhua RD., Futian, Shenzhen, China



THIS DRAWING IS UNPUBLISHED. RELEASED FOR PUBLICATION ,19 .  
 © COPYRIGHT 19 BY AMP INCORPORATED. ALL RIGHTS RESERVED.

LOC	DIST	REVISIONS			
P	LTR	DESCRIPTION	DATE	DWN	APVD
DF	SO				
	D	REV & REDRAWN; 0600-5527-96	7-96	CT	SG



- 1. THIS IS A HERMETICALLY SEALED RECEPTACLE.
- 2. MOLDED AREA BELOW FLANGE IS SANDBLASTED.

REMARKS	DISCRIPTION	PART NUMBER
OBSOLETE	GOLD PLATED PIN; TIN PLATED FLANGE	862401-2
-	TIN PLATED PIN & FLANGE	862401-1

THIS DRAWING IS A CONTROLLED DOCUMENT.		DWN C.C. THOMAS 7-17-96	<b>AMP</b> AMP Incorporated Harrisburg, PA 17105-3608
		CHK S. GLATFELTER 8-1-96	
		APVD S. GLATFELTER 8-1-96	NAME
		PRODUCT SPEC	RECEPTACLE ASSY, FLANGED, LGH-1
		APPLICATION SPEC	
		WEIGHT	
		CUSTOMER DRAWING	
		SIZE A3	CAGE CODE 00779
		DRAWING NO C-862401	
		SCALE 2:1	SHEET 1 OF 1
		REV D	