



Chipsmall Limited consists of a professional team with an average of over 10 year of expertise in the distribution of electronic components. Based in Hongkong, we have already established firm and mutual-benefit business relationships with customers from,Europe,America and south Asia,supplying obsolete and hard-to-find components to meet their specific needs.

With the principle of “Quality Parts,Customers Priority,Honest Operation,and Considerate Service”,our business mainly focus on the distribution of electronic components. Line cards we deal with include Microchip,ALPS,ROHM,Xilinx,Pulse,ON,Everlight and Freescale. Main products comprise IC,Modules,Potentiometer,IC Socket,Relay,Connector.Our parts cover such applications as commercial,industrial, and automotives areas.

We are looking forward to setting up business relationship with you and hope to provide you with the best service and solution. Let us make a better world for our industry!



Contact us

Tel: +86-755-8981 8866 Fax: +86-755-8427 6832

Email & Skype: info@chipsmall.com Web: www.chipsmall.com

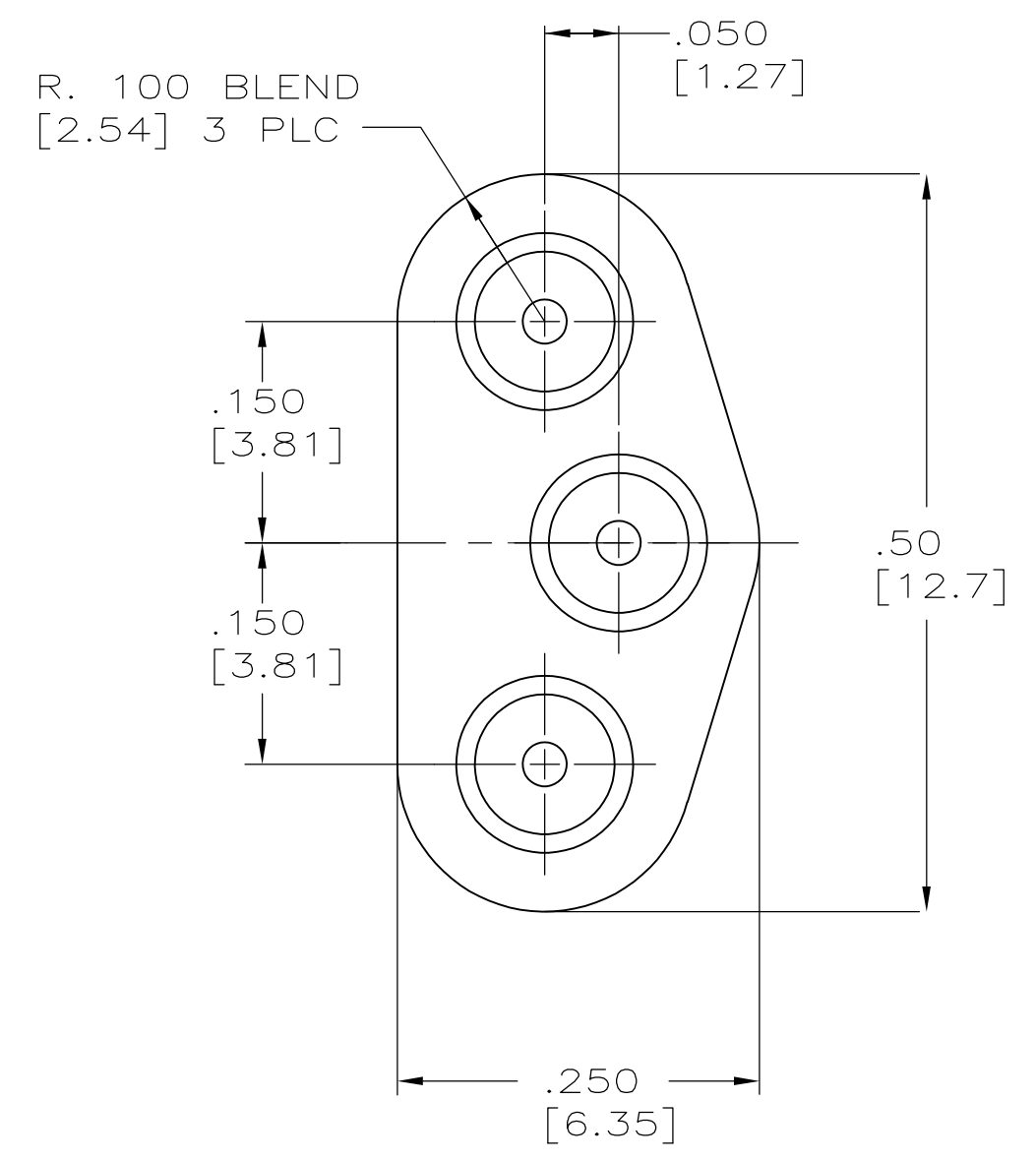
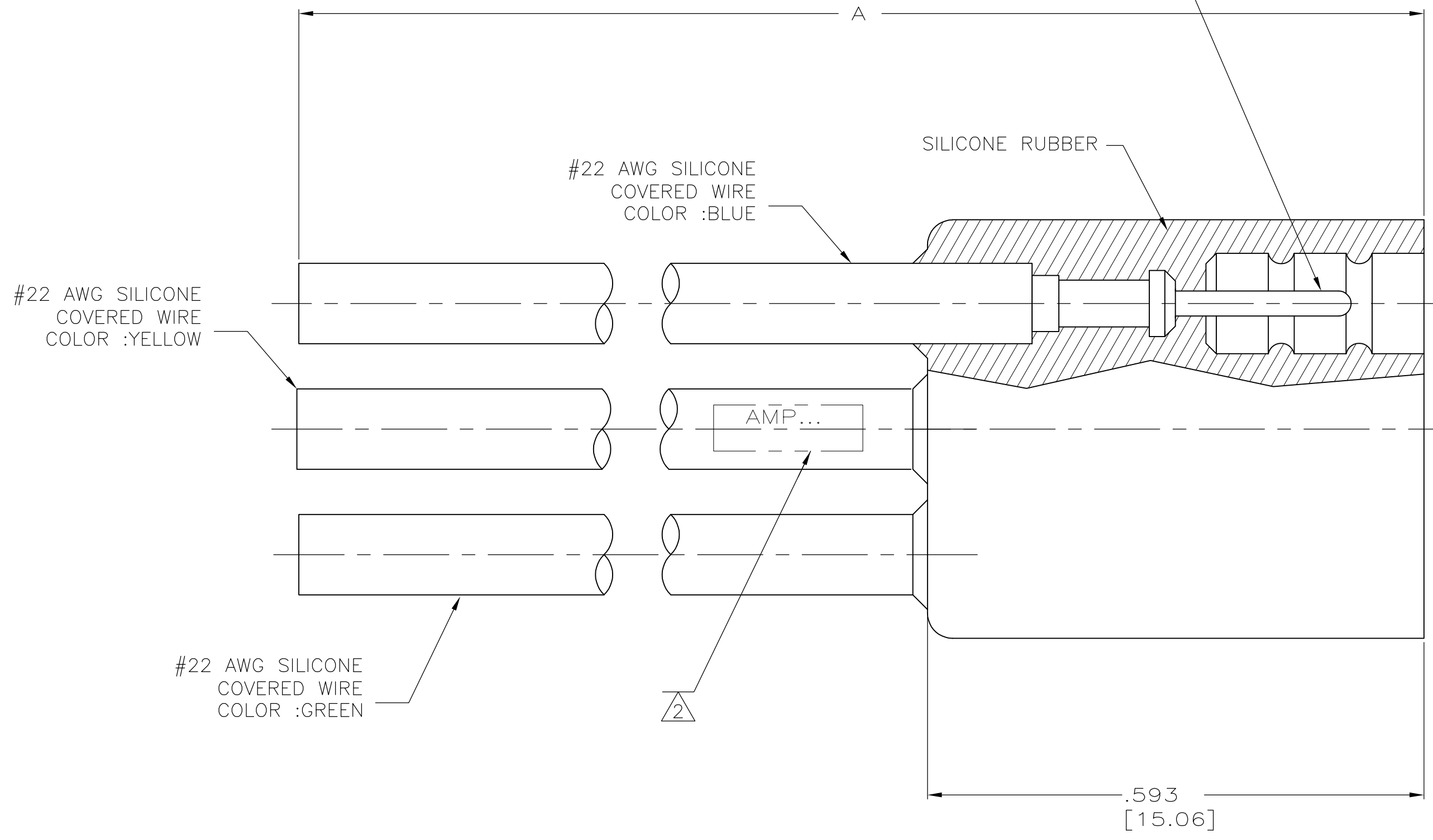
Address: A1208, Overseas Decoration Building, #122 Zhenhua RD., Futian, Shenzhen, China



THIS DRAWING IS UNPUBLISHED. RELEASED FOR PUBLICATION
 © COPYRIGHT - By - ALL RIGHTS RESERVED.

LOC		DIST		REVISIONS			
P	LTR	DESCRIPTION		DATE	DWN	APVD	
	J	REV PER ECO 0H14-0083-04		3-04	CT	DE	

PIN CONTACT
 MAT'L: BRONZE PER ASTM-B-140
 FINISH: GOLD PLATE PER MIL-G-45204
 OVER NICKEL PER QQ-N-290



- 1 TOLERANCE: UP TO 24.00 [609.6] = ±.12 [±3.0]
24.00 [609.6] & UP = ±1%
- 2 MARKED PER MIL-STD-130 IN APPROX. AREA SHOWN.

OBSOLETE	72.00 [1828.8]	862425-6
OBSOLETE	16.00 [406.4]	862425-5
	48.00 [1219.2]	862425-4
	24.00 [609.6]	862425-3
	18.00 [457.2]	862425-2
	12.00 [304.8]	862425-1
	DIM A 1	PART NO

THIS DRAWING IS A CONTROLLED DOCUMENT.		DWN	1-29-99	STE TE Connectivity	
DIMENSIONS: INCHES [mm]		CHK	1-29-99		
TOLERANCES UNLESS OTHERWISE SPECIFIED:		APVD	1-29-99	RCPT, LGH, 3 POSN, MICRO-MIN	
0 PLC ± -		PRODUCT SPEC			
1 PLC ± -		APPLICATION SPEC		SIZE	A2
2 PLC ± .01 [0.3]		WEIGHT	-	CAGE CODE	00779
3 PLC ± .005 [0.13]		FINISH	SEE CALLOUTS	DRAWING NO	C=862425
4 PLC ± -		MATERIAL	SEE CALLOUTS	RESTRICTED TO	-
ANGLES ± -		CUSTOMER DRAWING		SCALE	8:1
				SHEET	1 of 1
				REV	J

862425